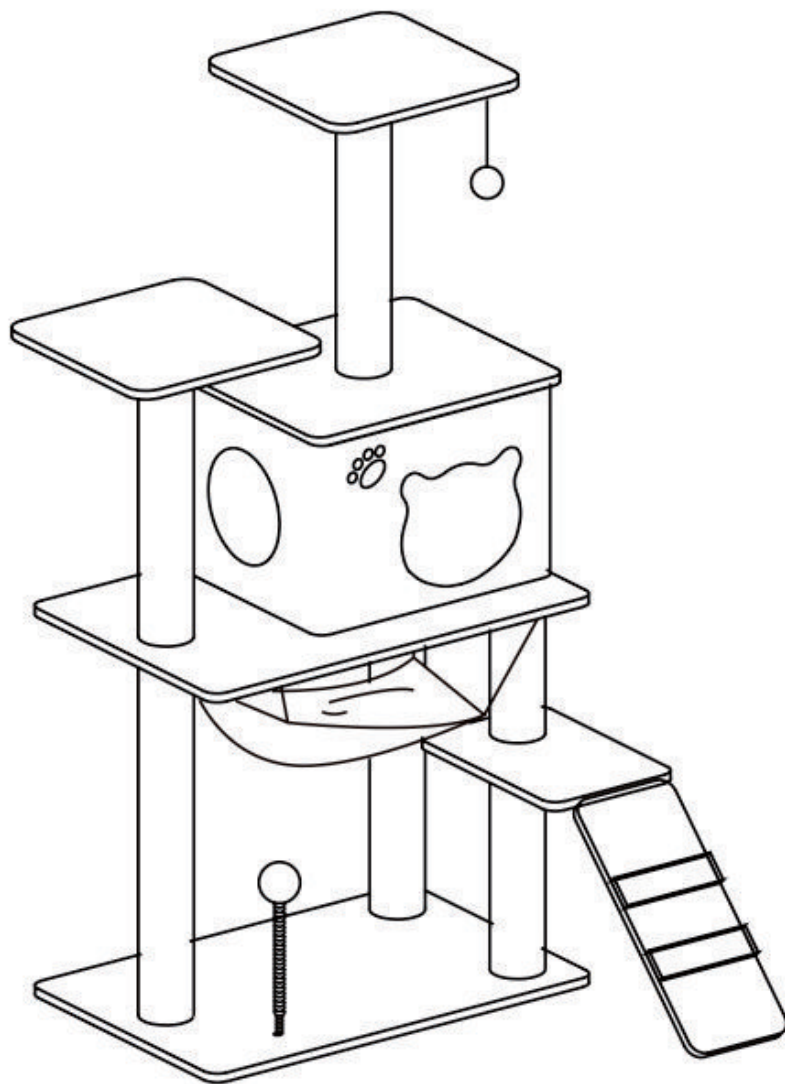


# PawHut

INdhb067\_GL

**D30-367**

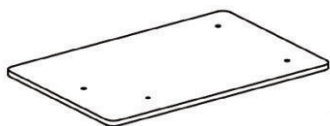


IMPORTANT, RETAIN FOR FUTURE REFERENCE: READ CAREFULLY

## ASSEMBLY & INSTRUCTION MANUAL

**PARTS**

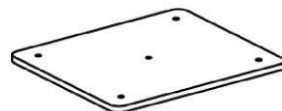
**A** x 1



**B** x 1



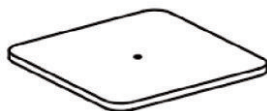
**C** x 1



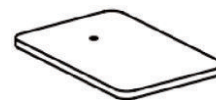
**D** x 1



**E** x 1



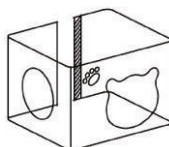
**F** x 1



**G** x 1



**H** x 1



**I** x 1



**P1** x 2



**P2** x 2



**P3** x 1



**P4** x 1



**P5** x 4



**P6** x 1



**HARDWARE**

**W1** x 16

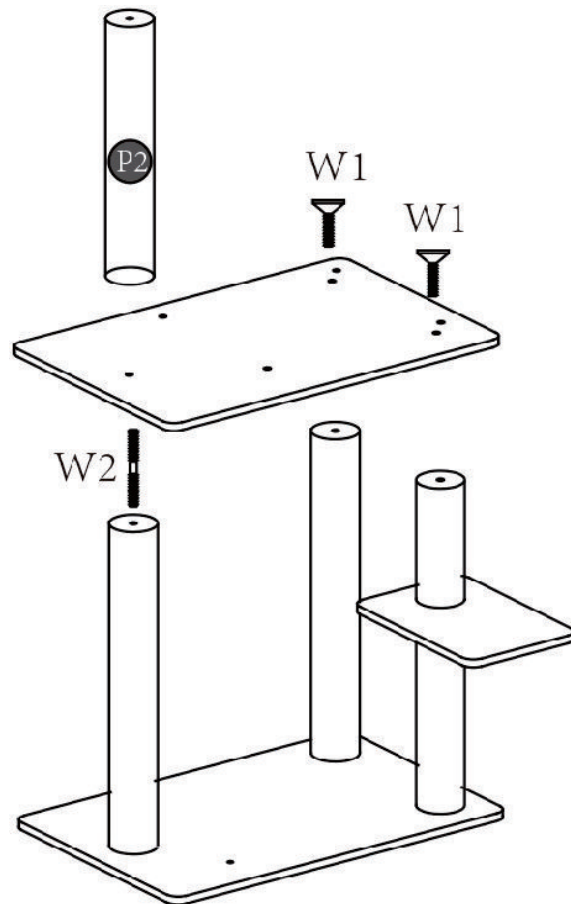
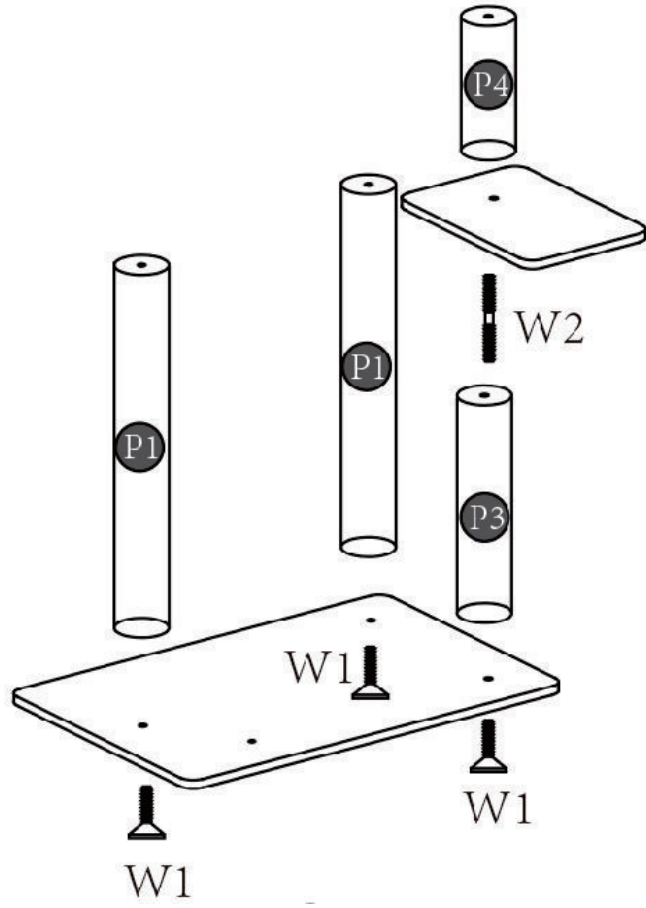


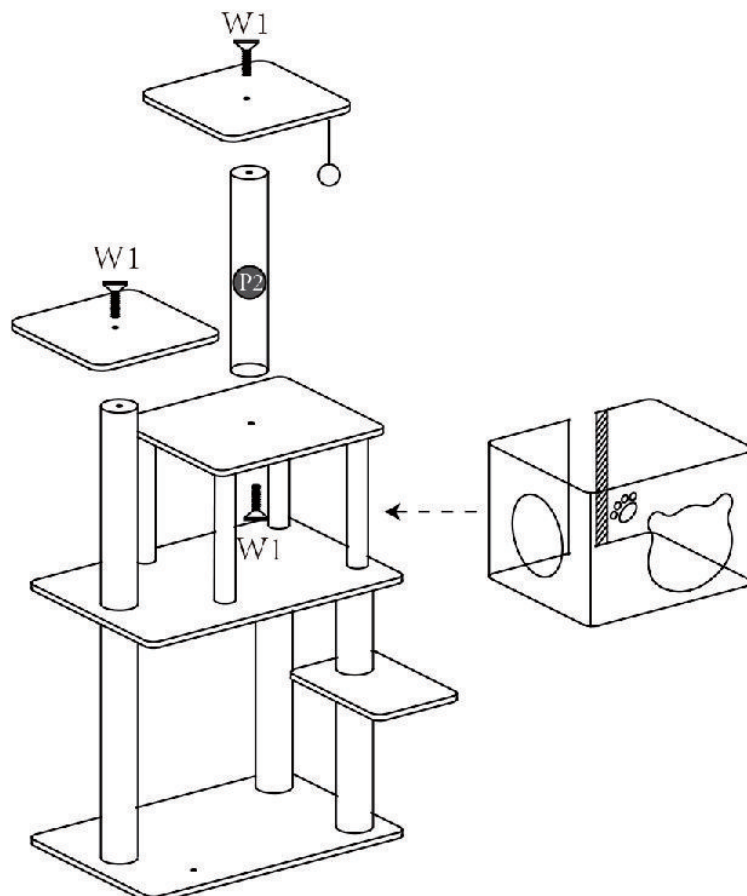
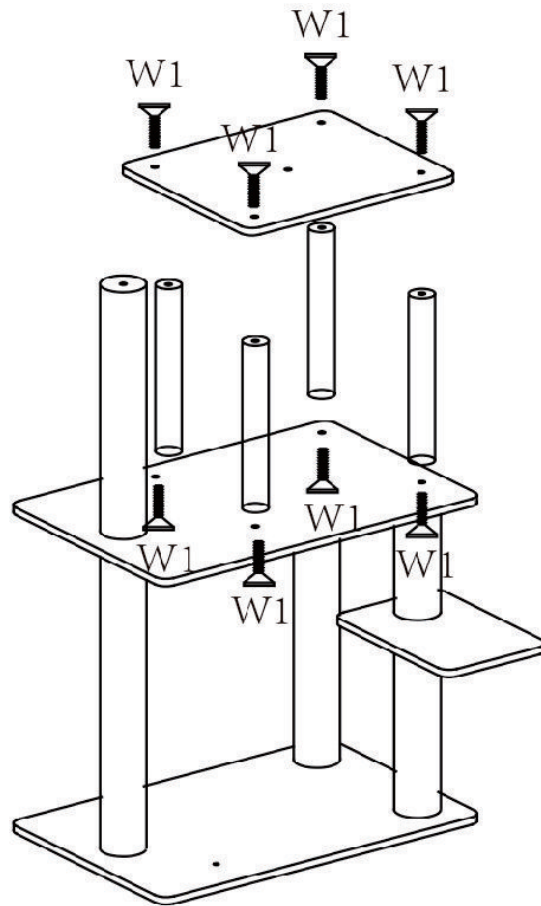
**W2** x 2

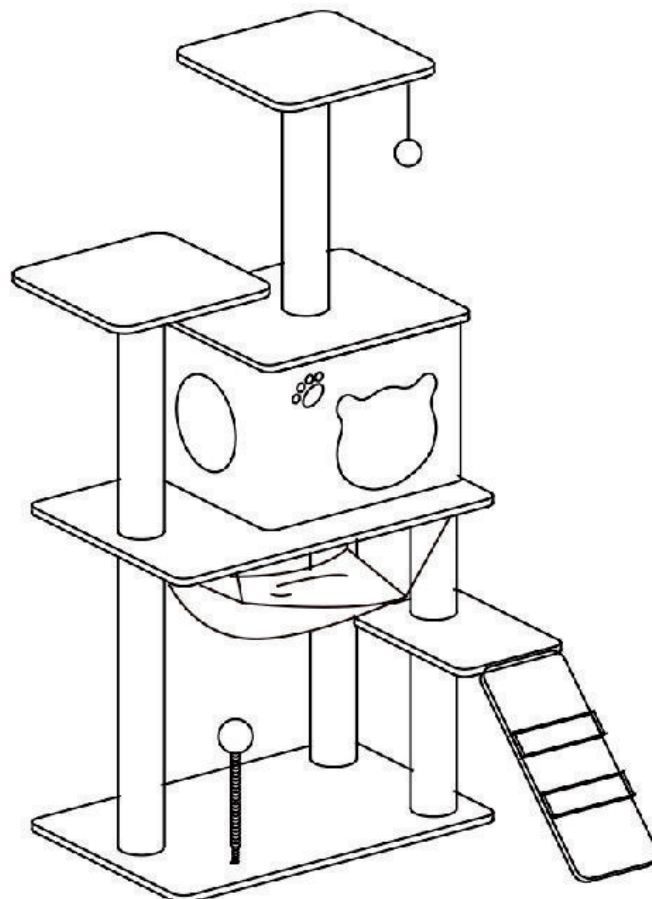
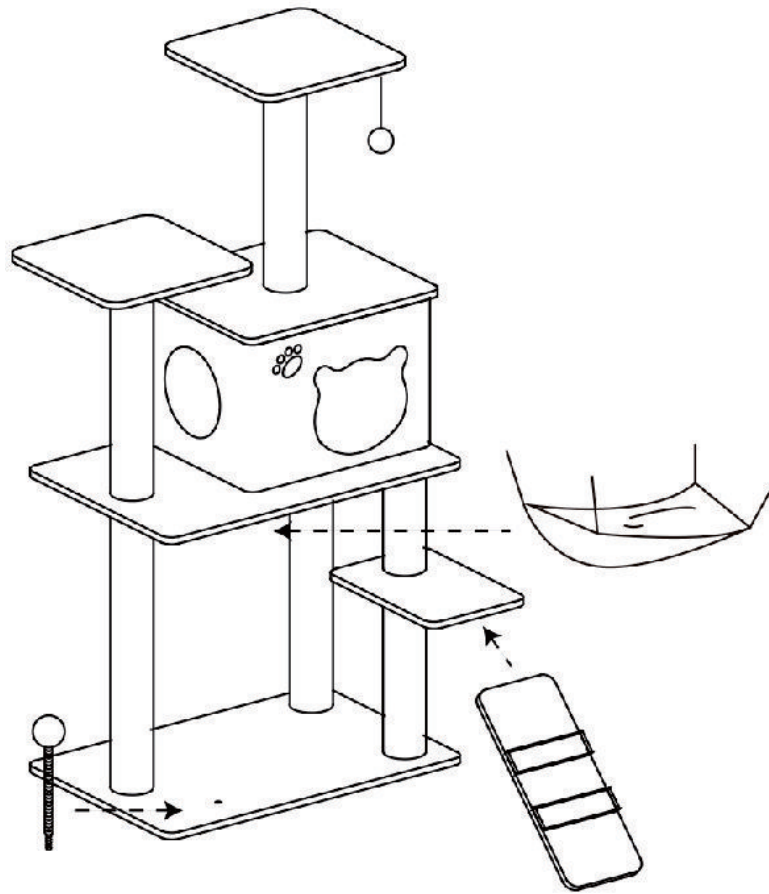


**W3** x 1









US



001-877-644-9366  
customerservice@aosom.com

CA



001-855-537-6088  
customerservice@aosom.ca

UK



0044-800-240-4004  
enquiries@mhstar.co.uk

DE



0049-(0)40-88307530  
service@aosom.de

FR



0033-1-84166106  
contact@aosom.fr

ES



0034-931294512  
atencioncliente@aosom.es

IT



0039-0249471447  
clienti@aosom.it