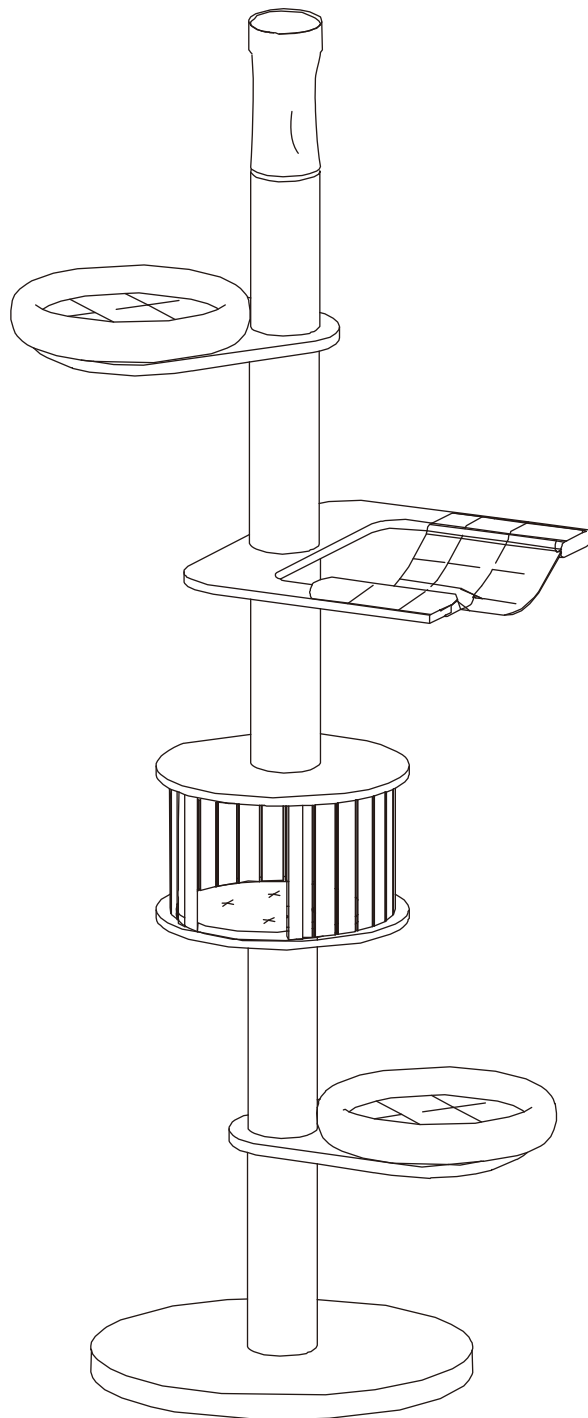


# PawHut

INdhb081\_GL

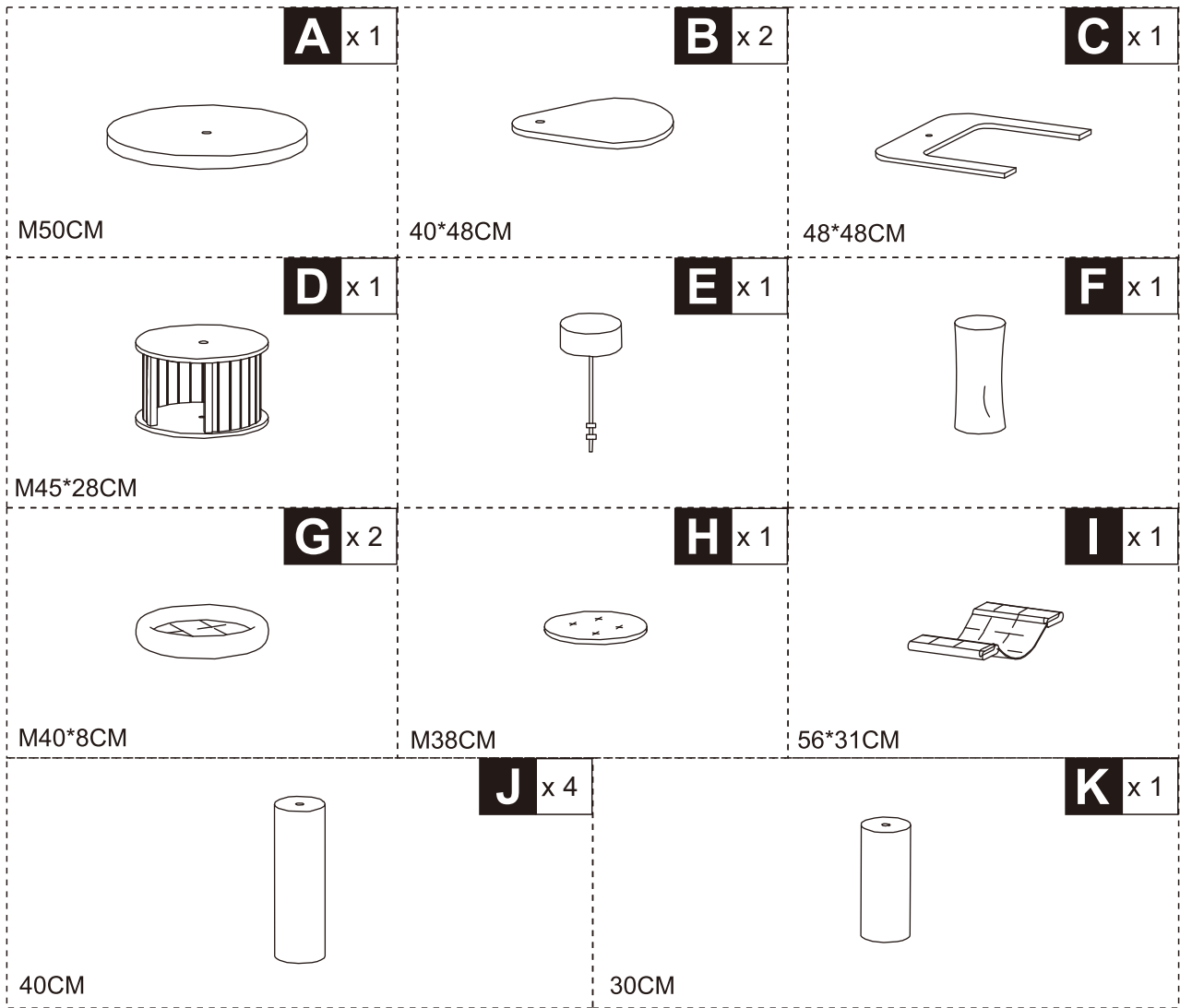
**D30-470**



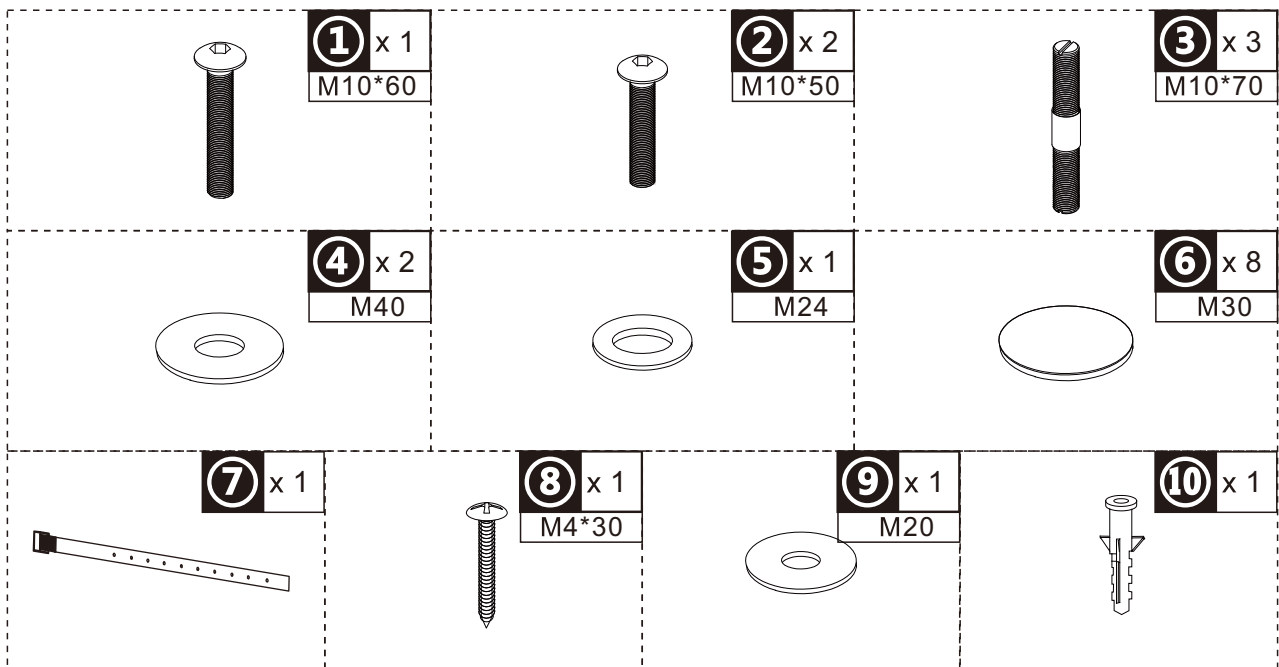
**IMPORTANT, RETAIN FOR FUTURE REFERENCE: READ CAREFULLY**

## ASSEMBLY & INSTRUCTION MANUAL

**PARTS**



**HARDWARE**



**A** x 1

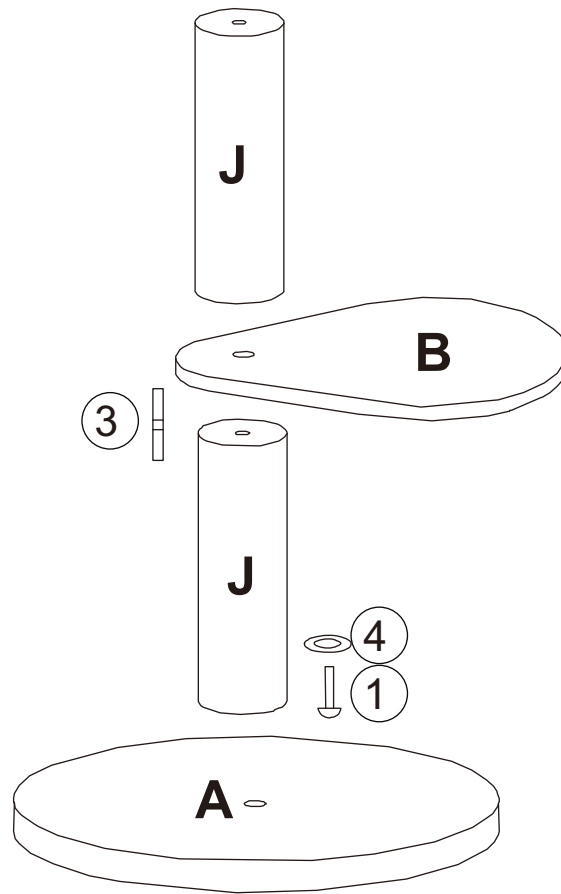
**B** x 1

**J** x 2

**①** x 1

**③** x 1

**④** x 1

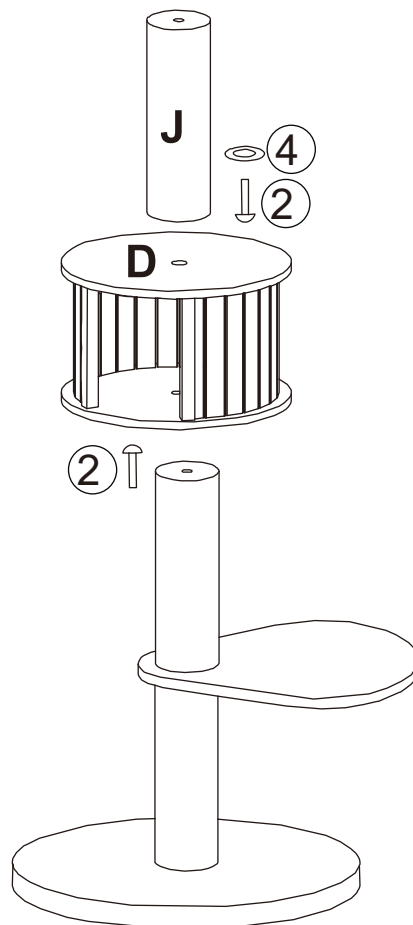


**D** x 1

**J** x 1

**②** x 2

**④** x 1



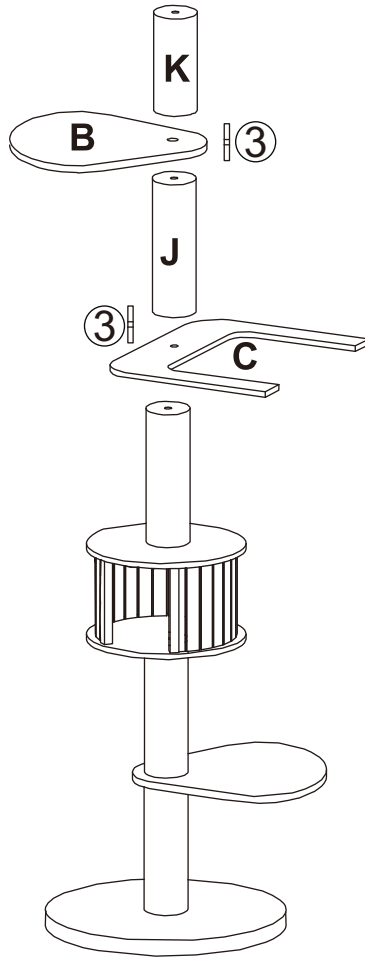
**B** x 1

**C** x 1

**J** x 1

**K** x 1

**3** x 2



**E** x 1

**F** x 1

**G** x 2

**H** x 1

**I** x 1

**5** x 1

**6** x 8

**7** x 1

**8** x 1

**9** x 1

**10** x 1

