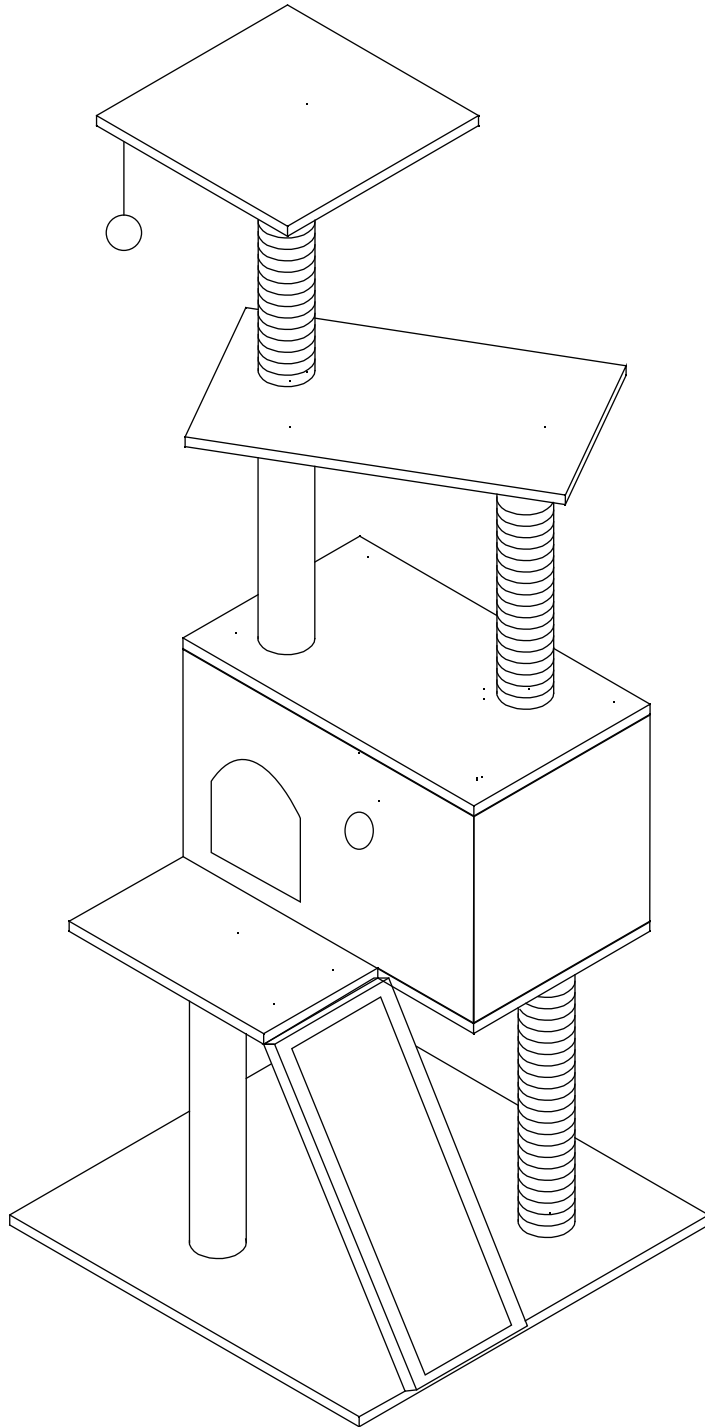


# PawHut

INdhb088\_GL

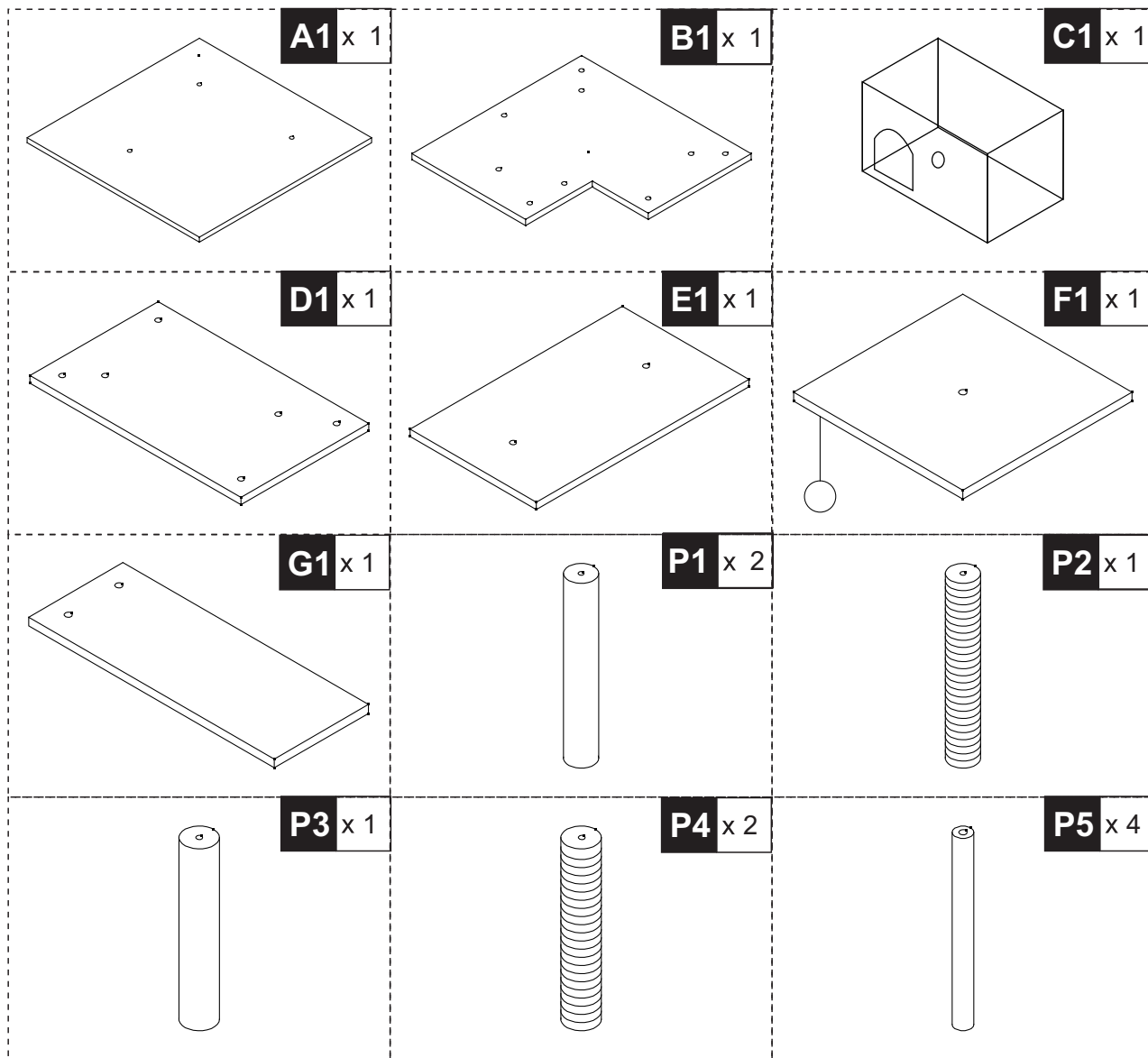
**D30-477**



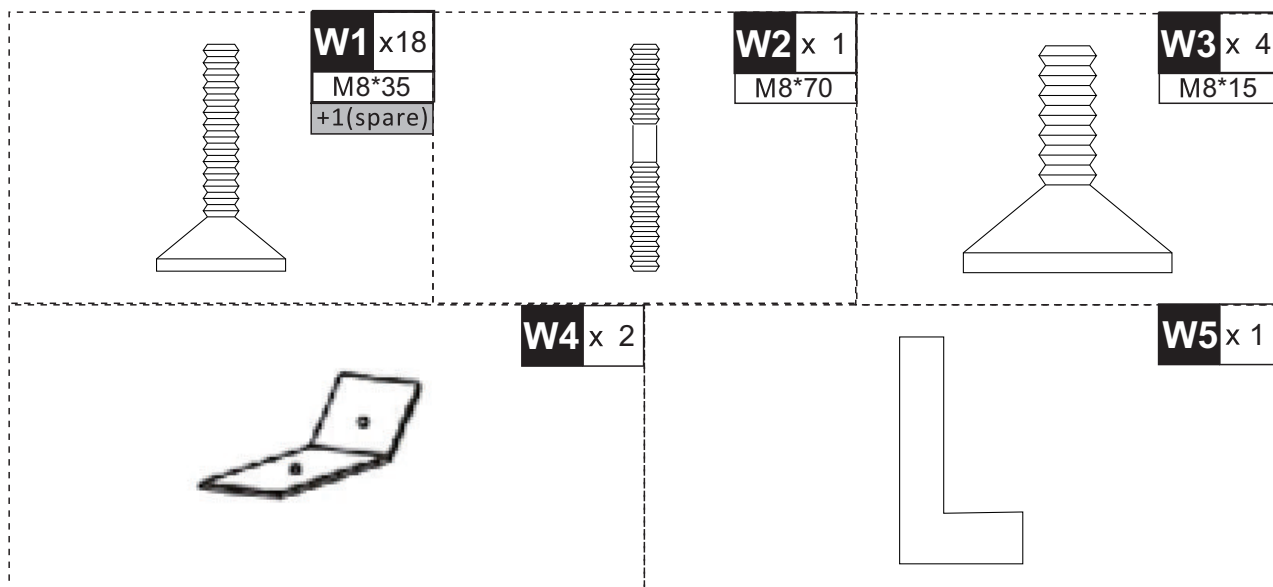
**IMPORTANT, RETAIN FOR FUTURE REFERENCE: READ CAREFULLY**

## ASSEMBLY & INSTRUCTION MANUAL

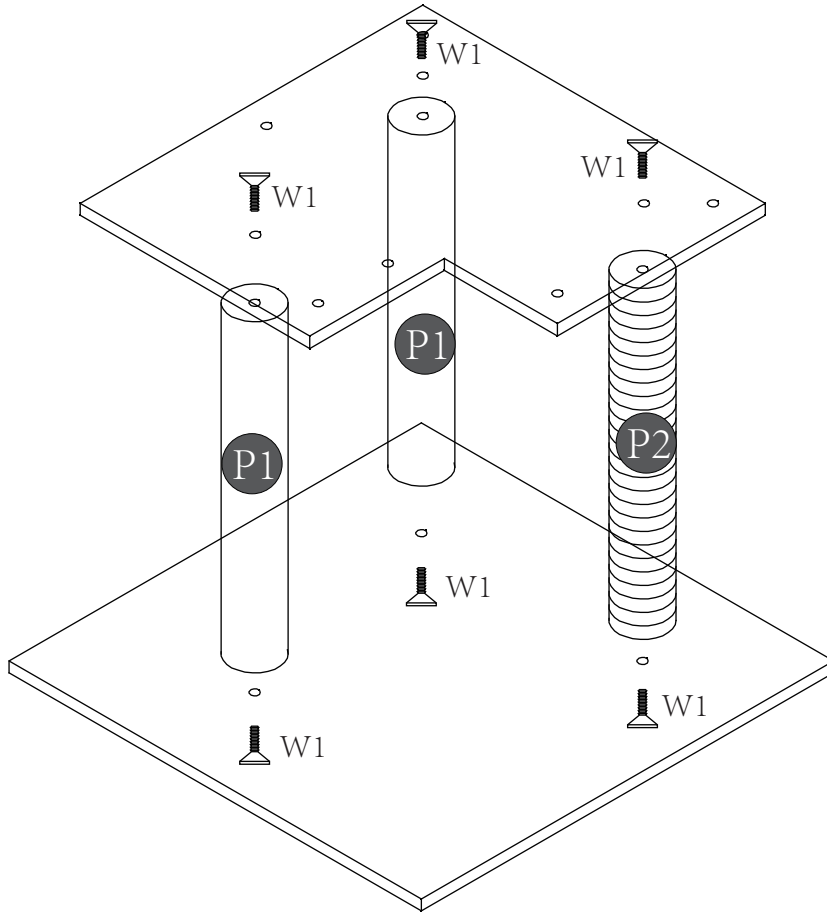
**PARTS**



**HARDWARE**



W1 x 6  
M8\*35



W1 x 4  
M8\*35

