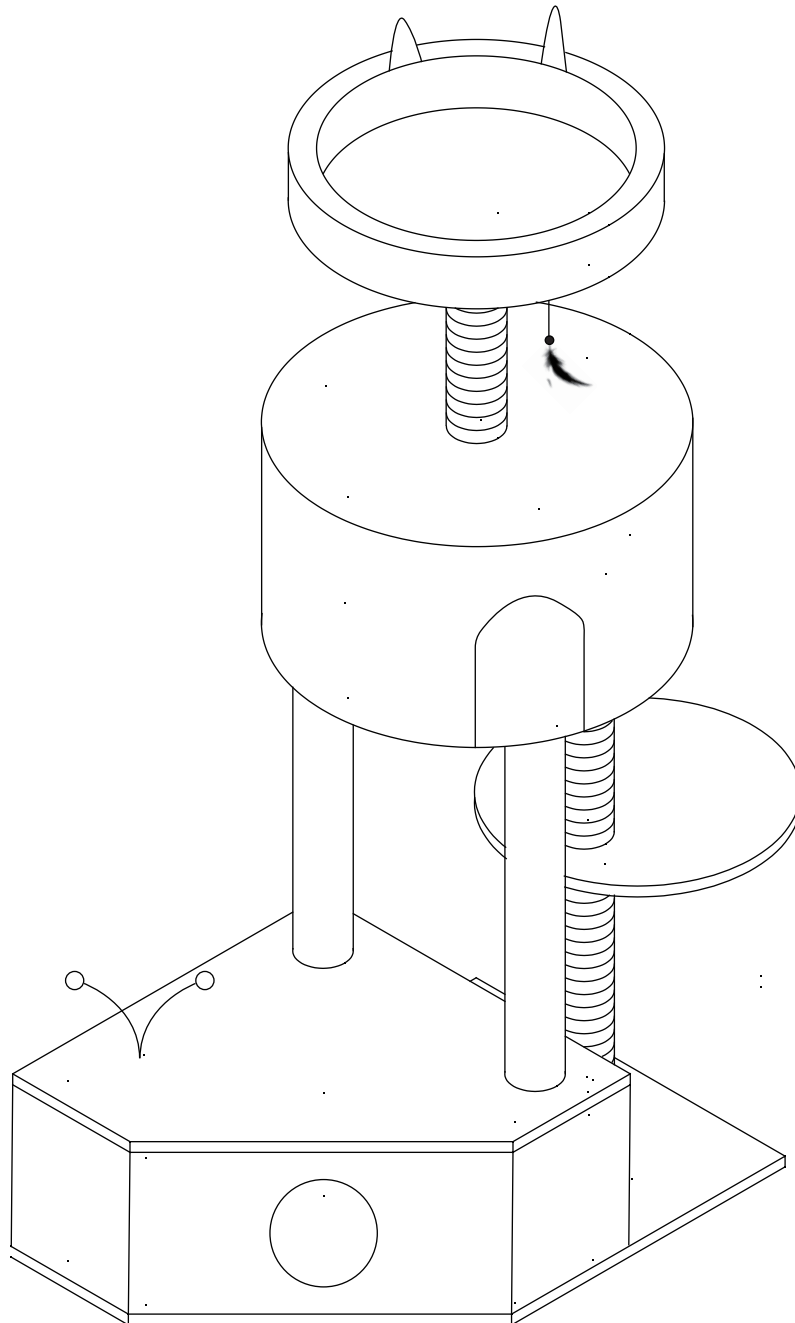


PawHut

INdhb089_GL

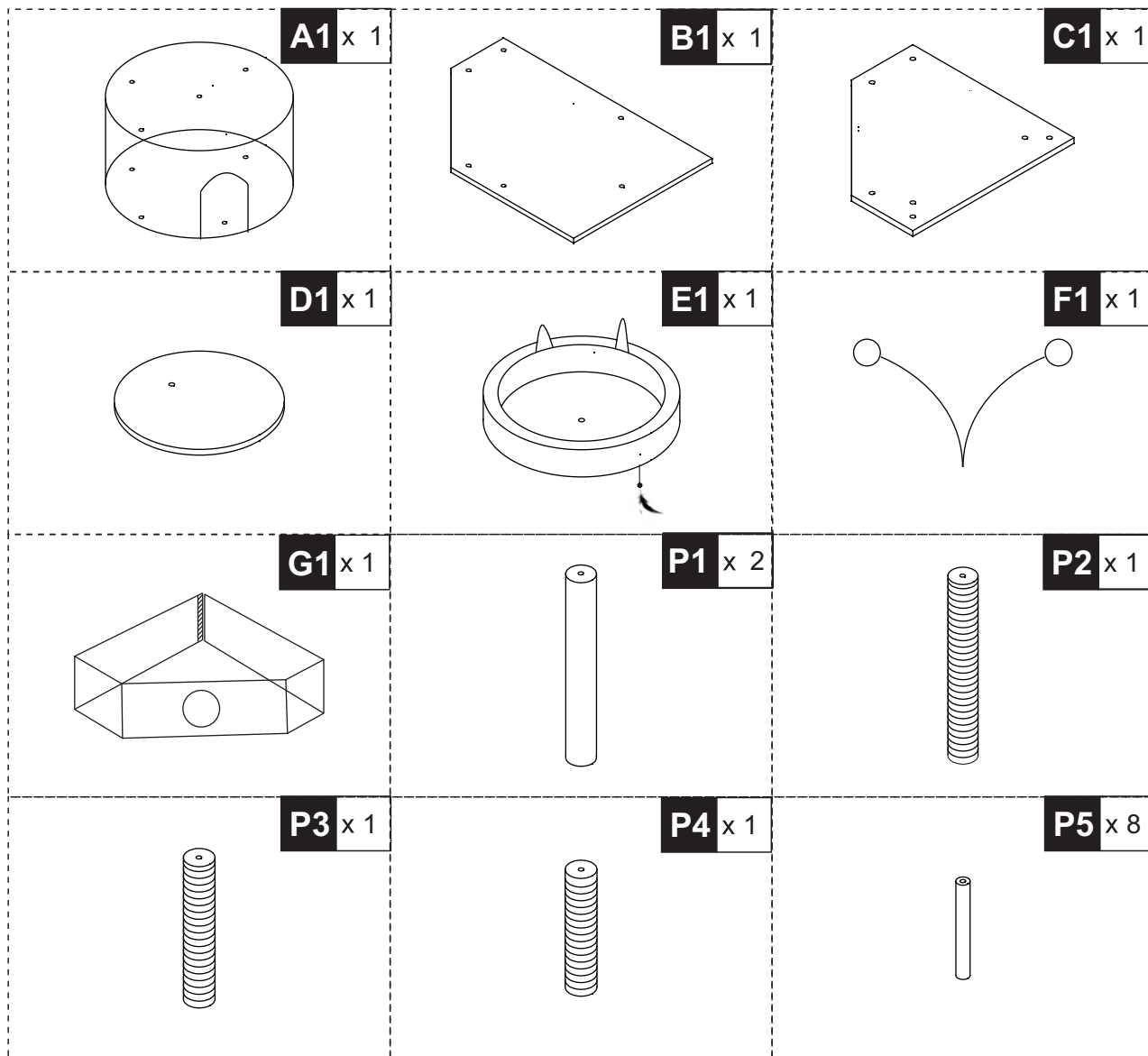
D30-480



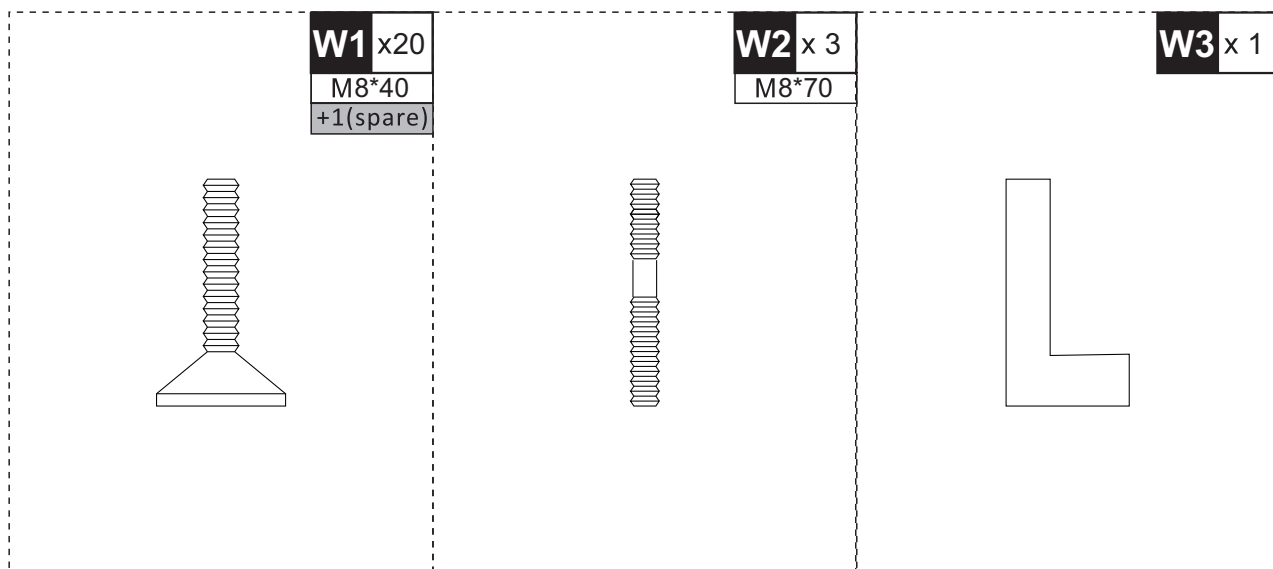
IMPORTANT, RETAIN FOR FUTURE REFERENCE: READ CAREFULLY

ASSEMBLY & INSTRUCTION MANUAL

PARTS

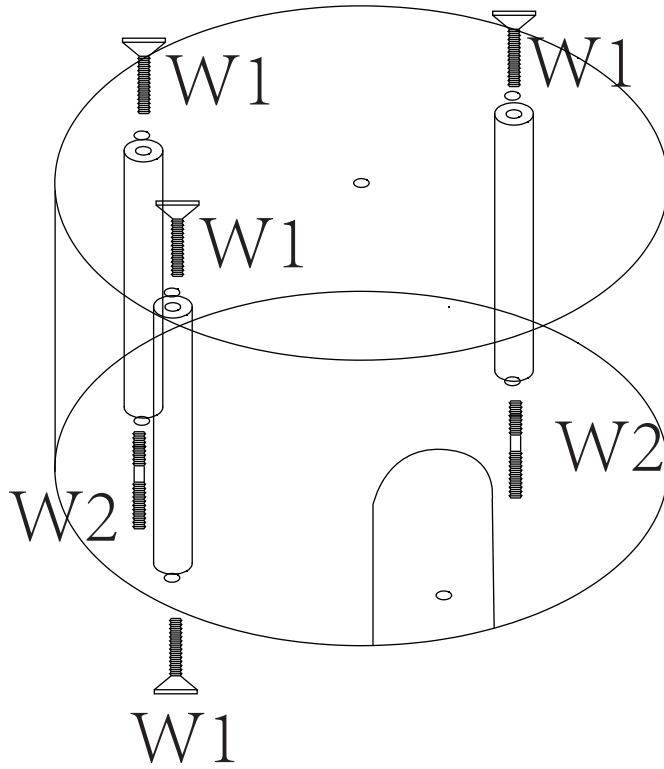


HARDWARE

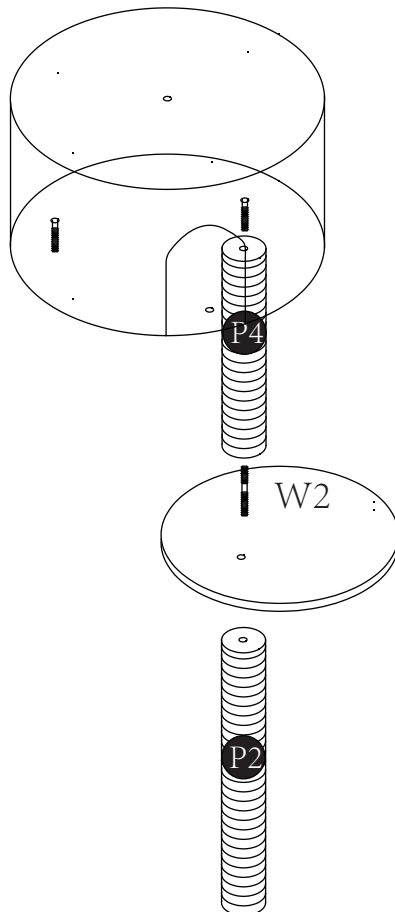


W1 x 4
M8*40

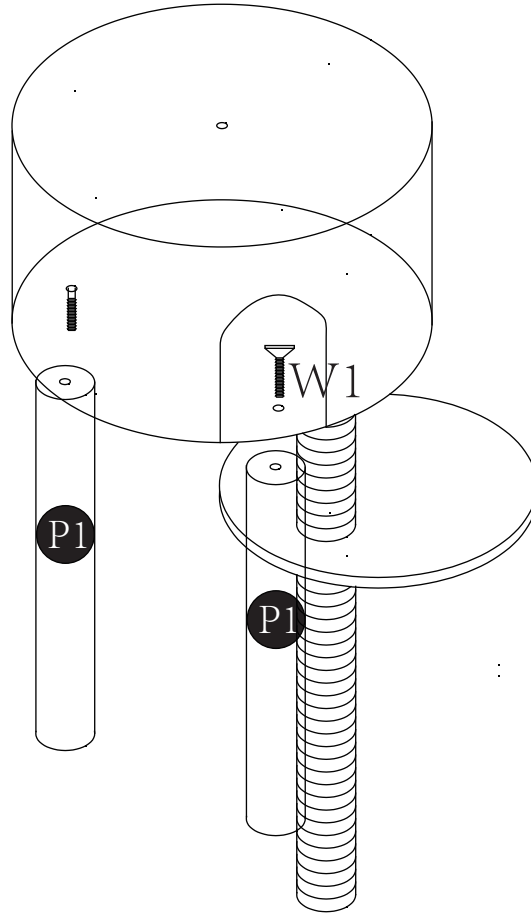
W2 x 2
M8*70



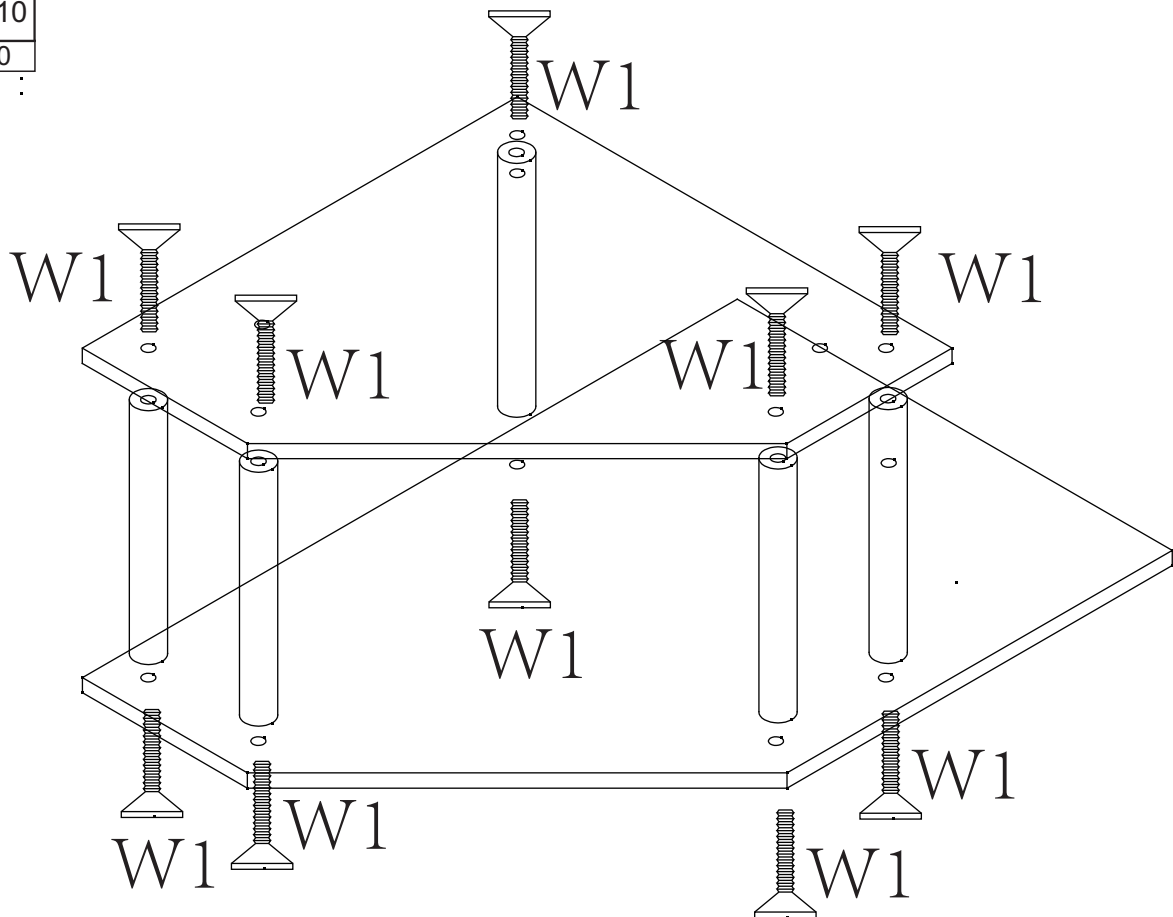
W2 x 1
M8*70



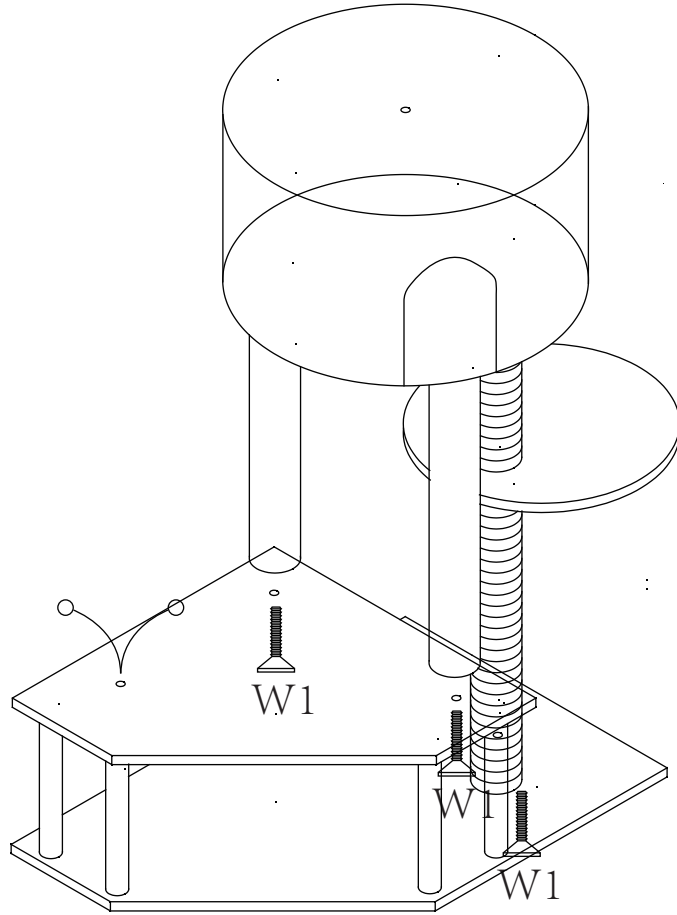
W1 x 1
M8*40



W1 x10
M8*40



W1 x 3
M8*40



W1 x 2
M8*40

