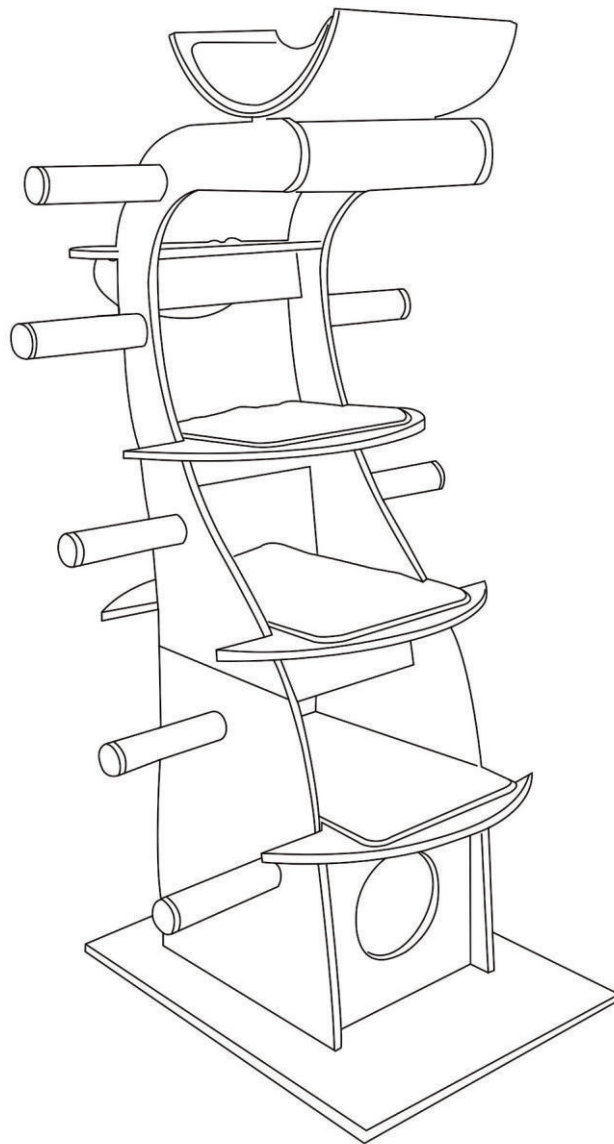


PawHut

INdhb092_GL

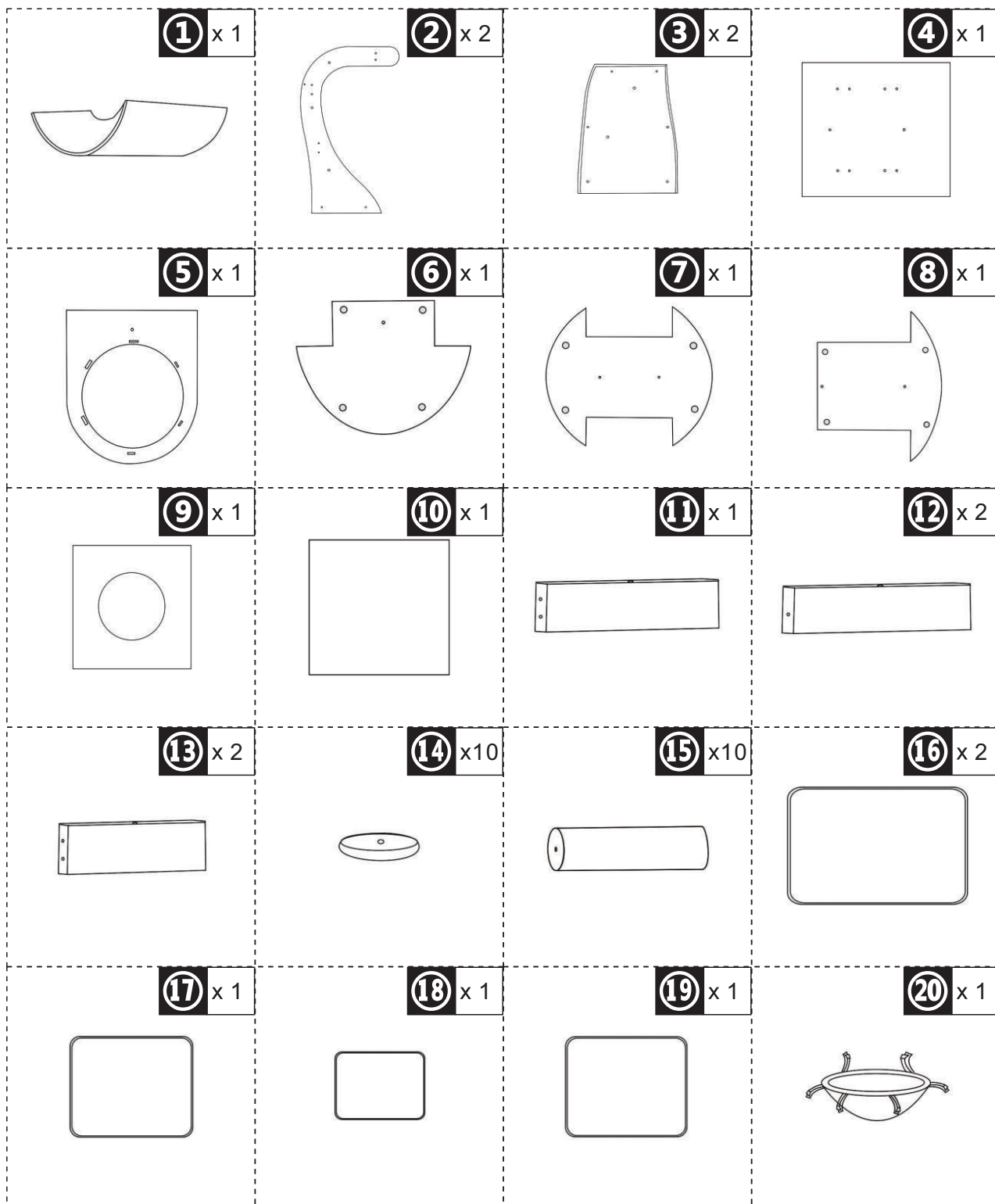
D30-514V80



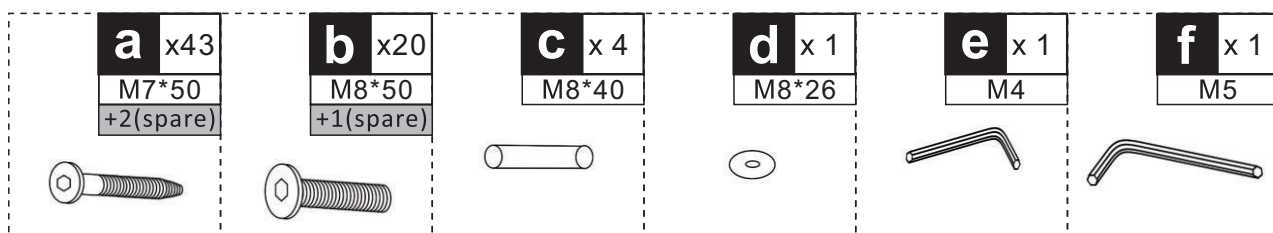
IMPORTANT, RETAIN FOR FUTURE REFERENCE: READ CAREFULLY

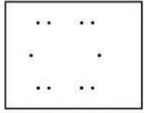
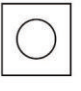
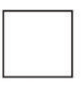



ASSEMBLY & INSTRUCTION MANUAL

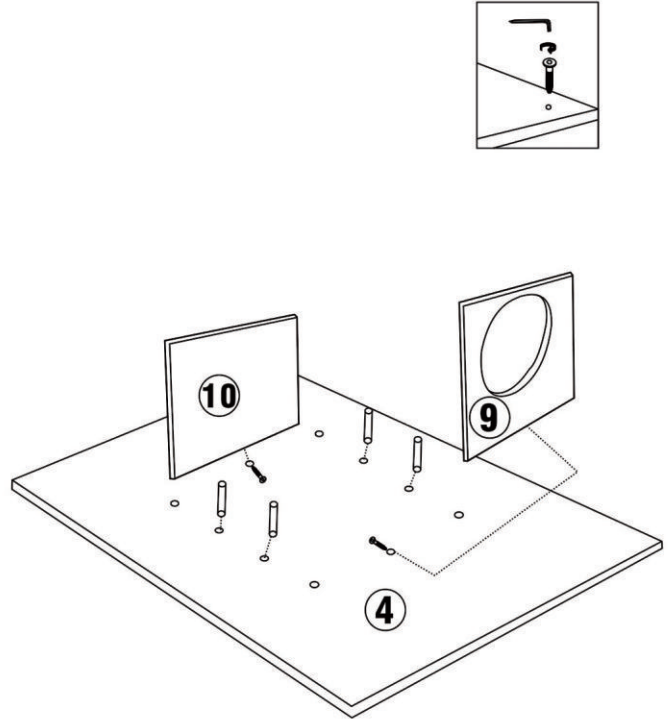
PARTS

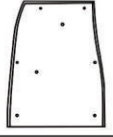




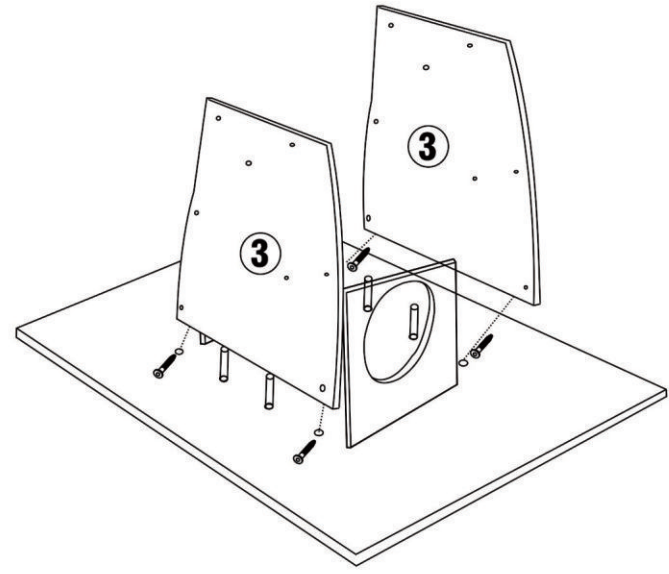
HARDWARE

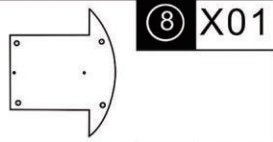


-  **④** X01
-  **⑨** X01
-  **⑩** X01
-  **①** X02
- m7. 0*50**
-  **②** X01
- m4**
-  **③** X04
- m8. 0*50**



-  **③** X02
-  **①** X04
- m7. 0*50**
-  **②** X01
- m4**





8 X01



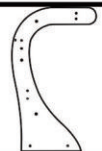
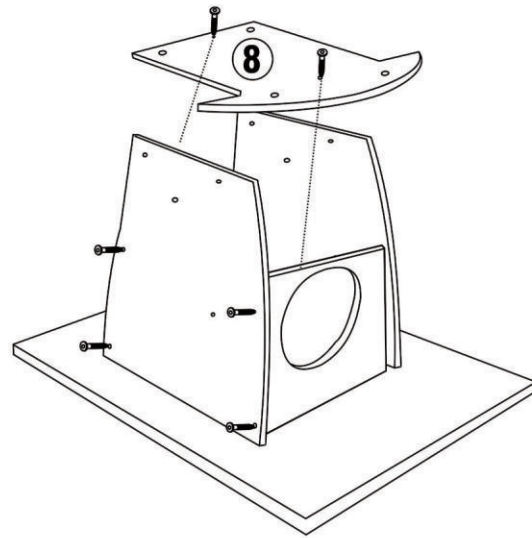
a X10

m7. 0*50

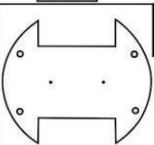


e X01

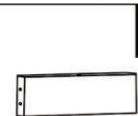
m4



2 X02



7 X01



13 X02



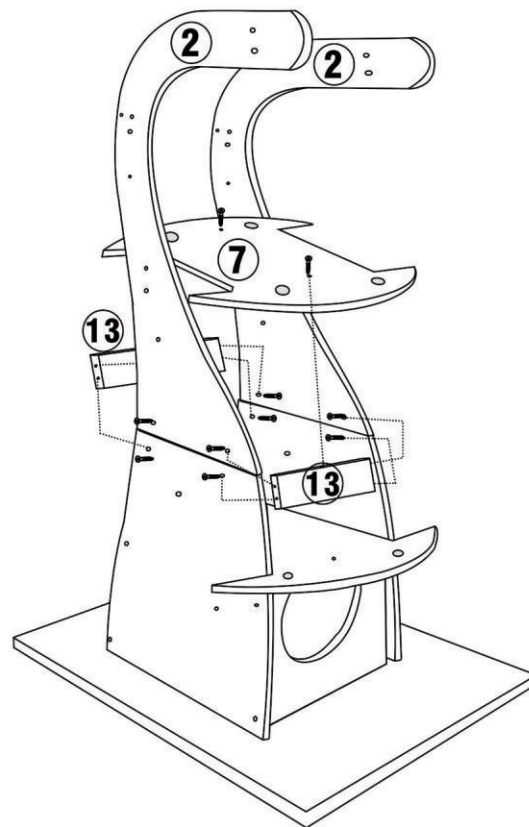
a X10

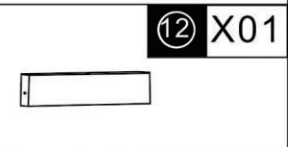
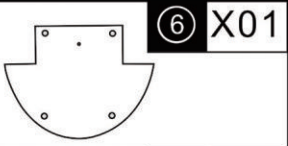
m7. 0*50



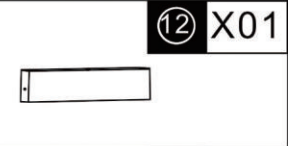
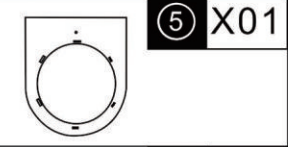
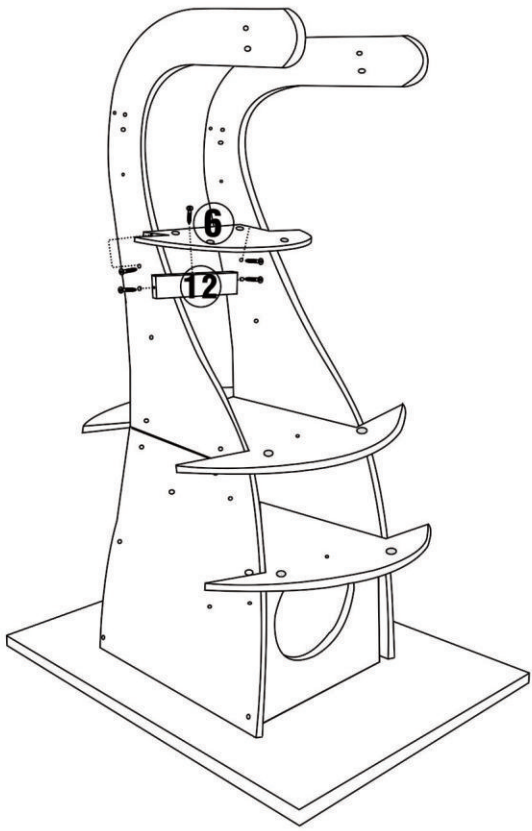
e X01

m4

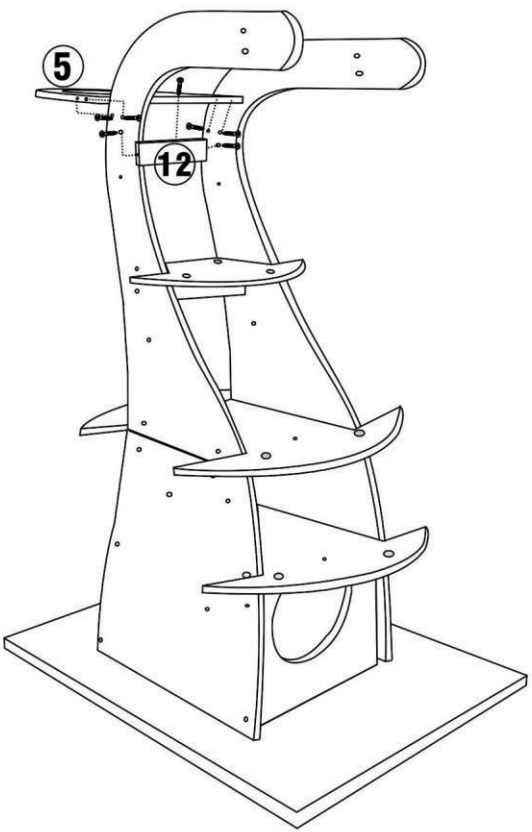
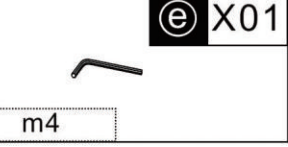




m7. 0*50



m7. 0*50



① X01



⑪ X01



Ⓐ X05



m7.0*50

Ⓔ X01

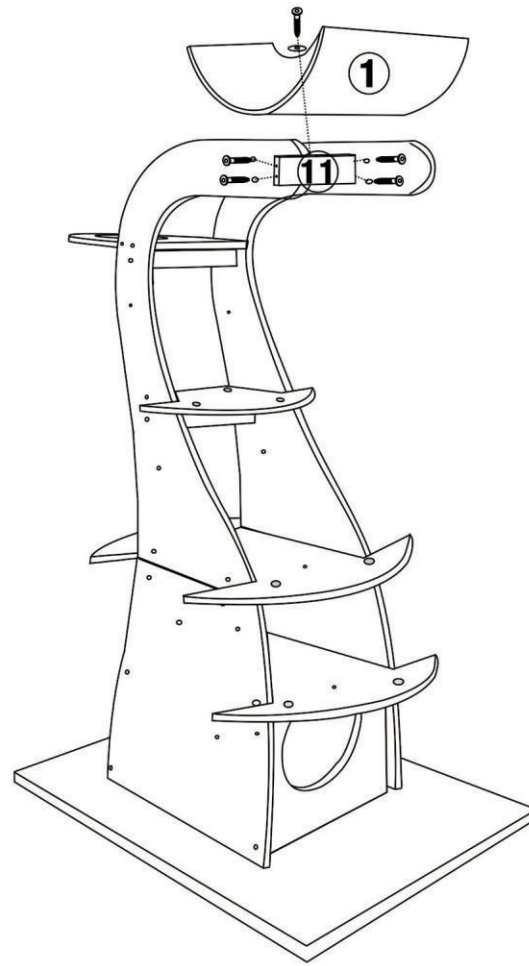


m4

Ⓒ X01



m8.0*26



⑭ X10



⑮ X10



Ⓑ X10

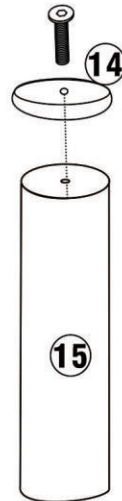


m8.0*40

Ⓕ X01



m5



16 X02



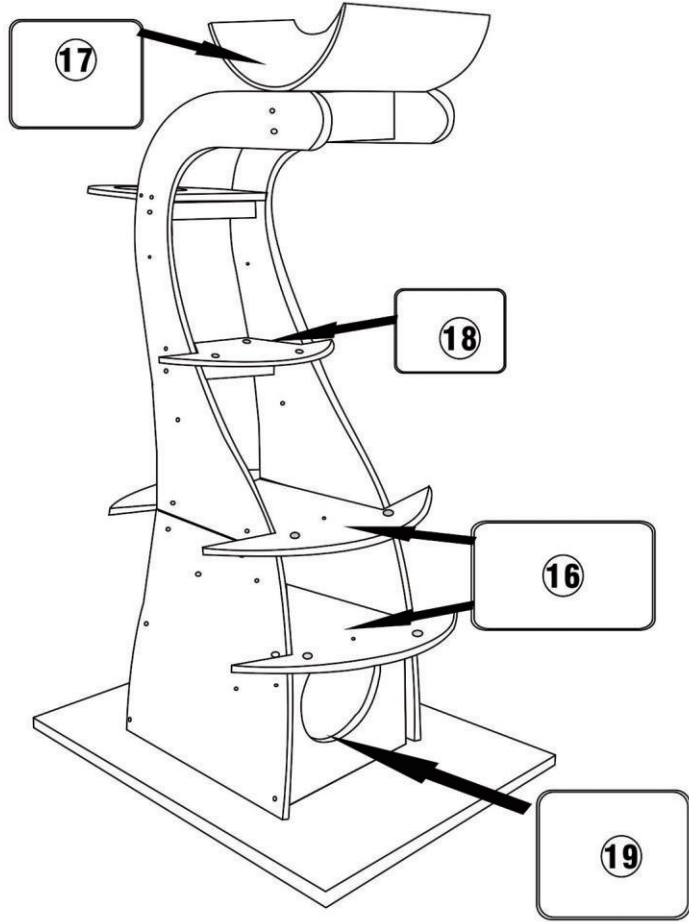
17 X01



18 X01



19 X01



X10



b X10

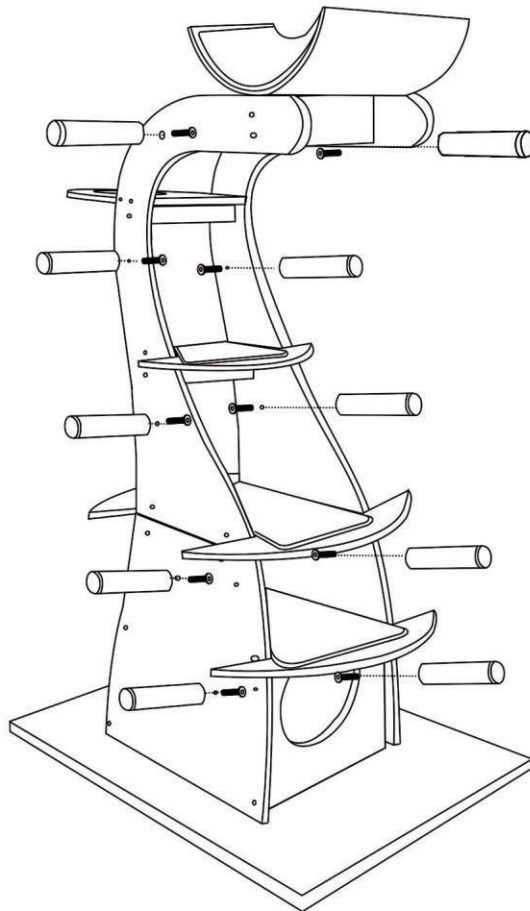


m8. 0*40

f X01

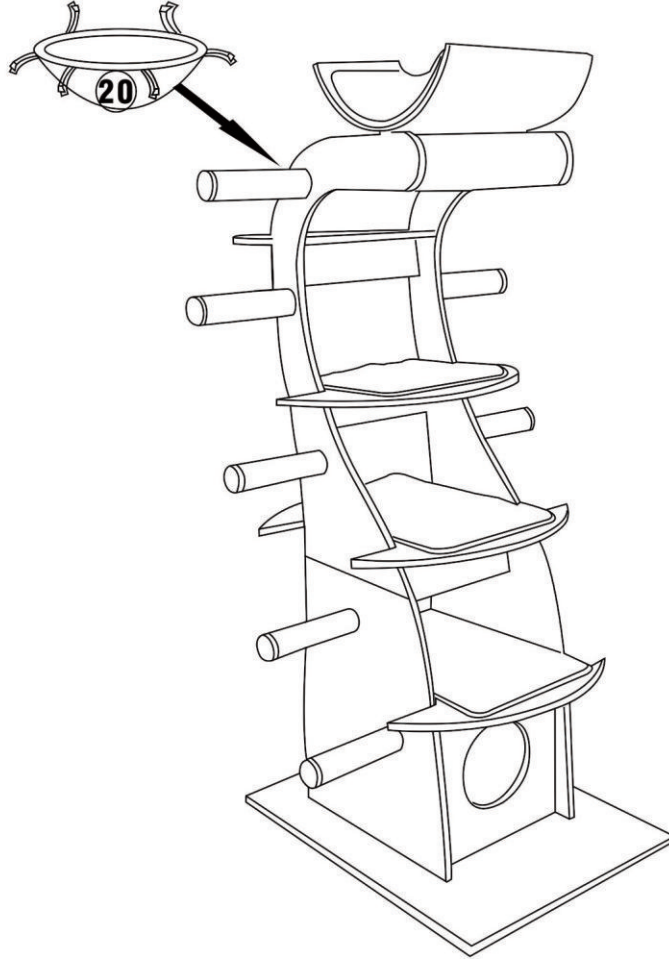
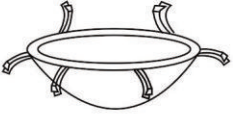


m5



20 X01

11



Done

