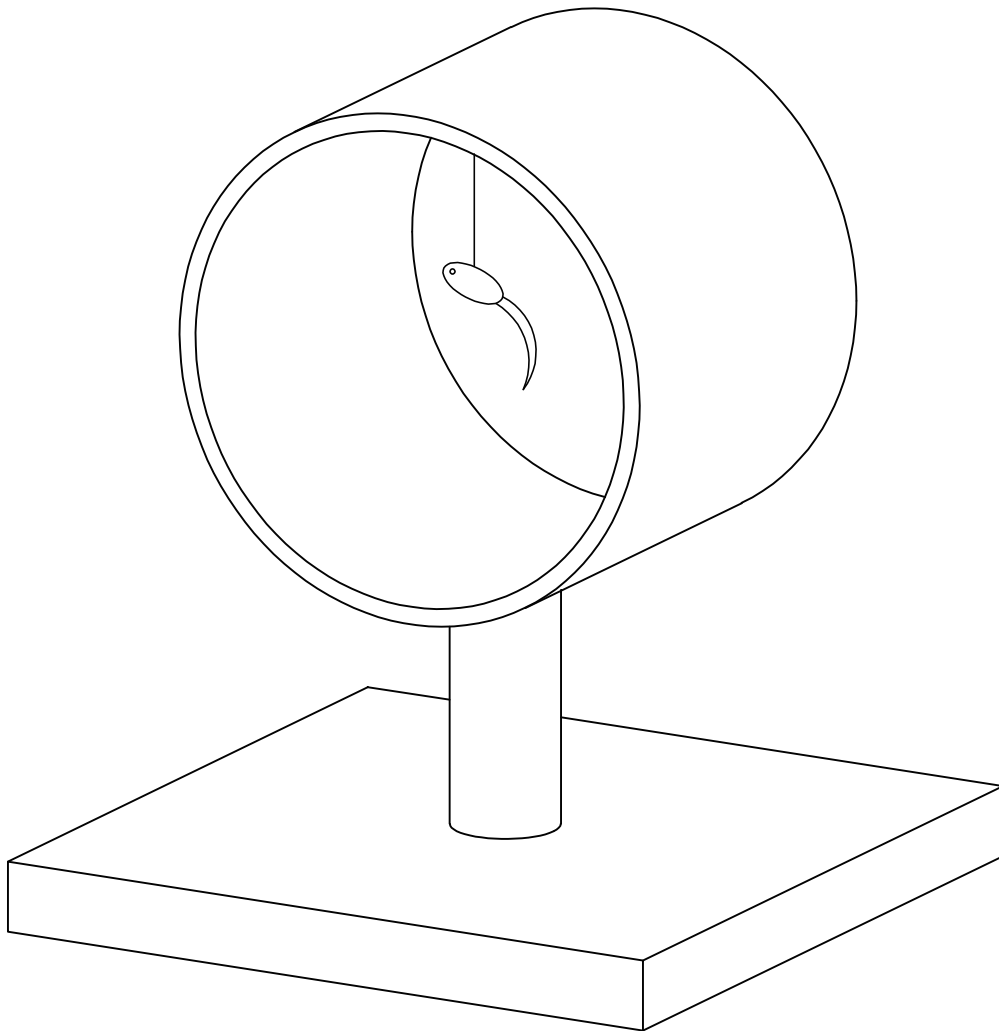


PawHut

INdhc007_GL

D30-432

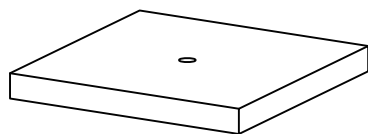


IMPORTANT, RETAIN FOR FUTURE REFERENCE: READ CAREFULLY

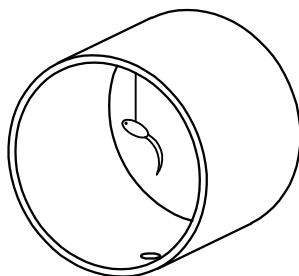
ASSEMBLY & INSTRUCTION MANUAL

PARTS

D x1

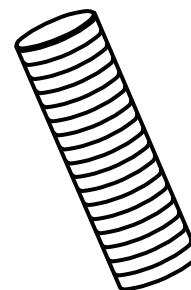


E x1



F x1

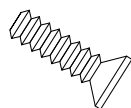
L 14



HARDWARE

A x2

M8*40



B x1



C x1

