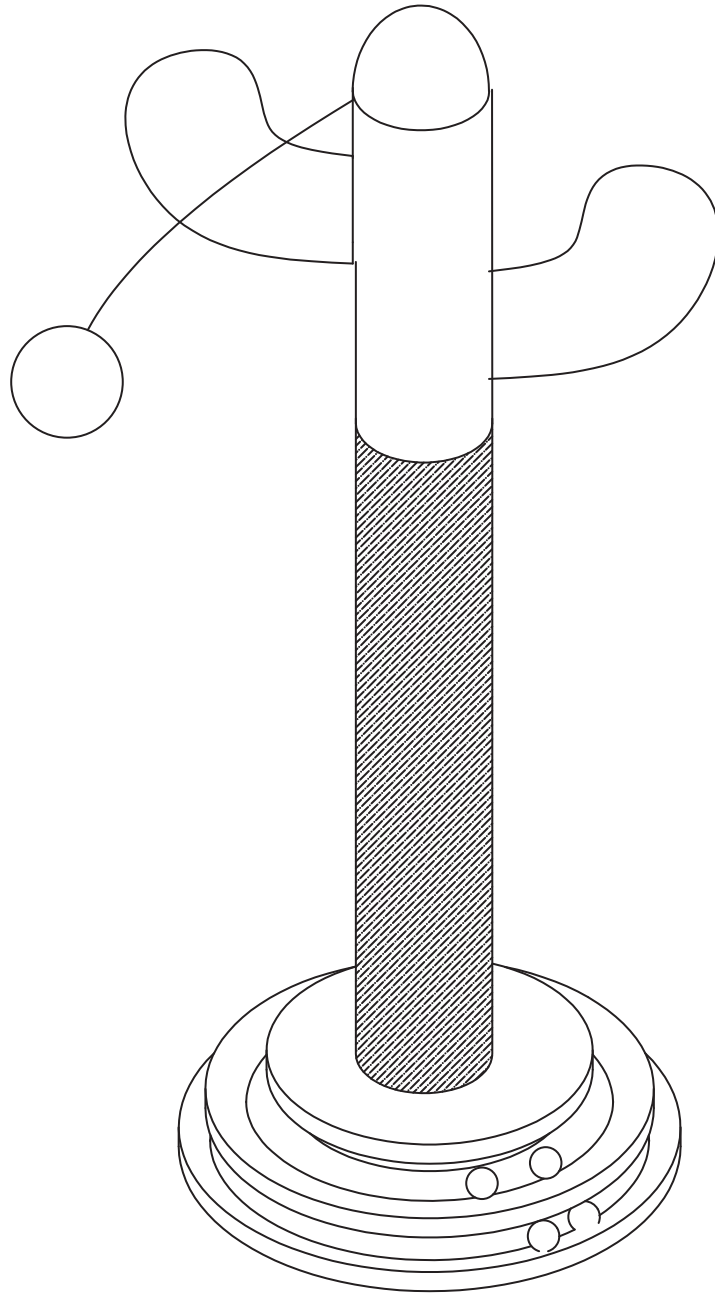


# PawHut

INdhc008\_GL

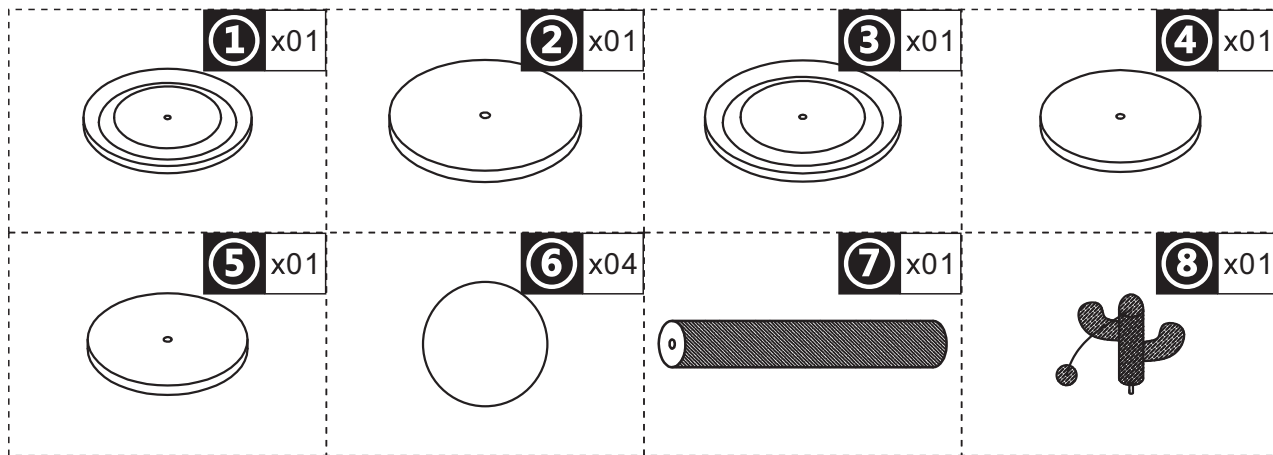
**D30-453**



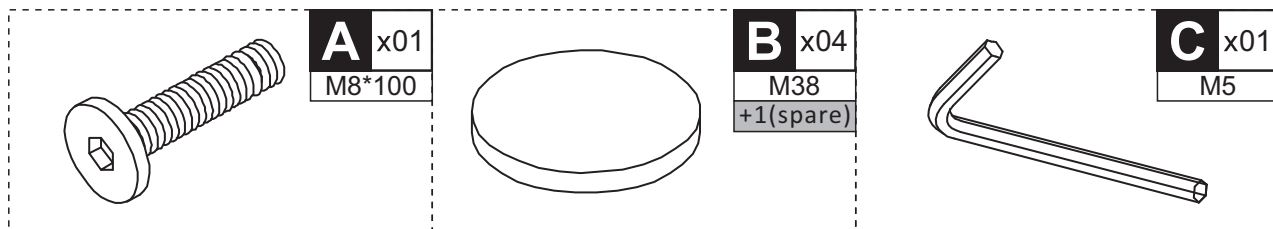
IMPORTANT, RETAIN FOR FUTURE REFERENCE: READ CAREFULLY

## ASSEMBLY & INSTRUCTION MANUAL

**PARTS**

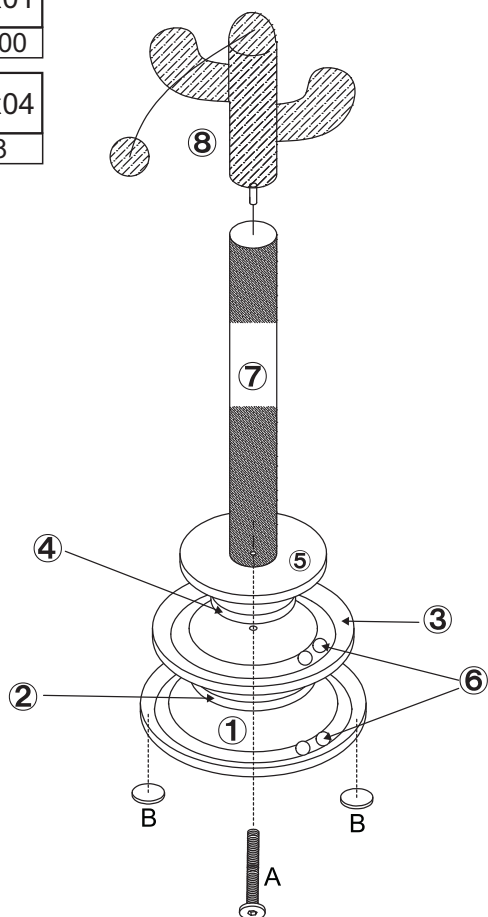


**HARDWARE**



**01**

- A** x01  
M8\*100
- B** x04  
M38



**02**

