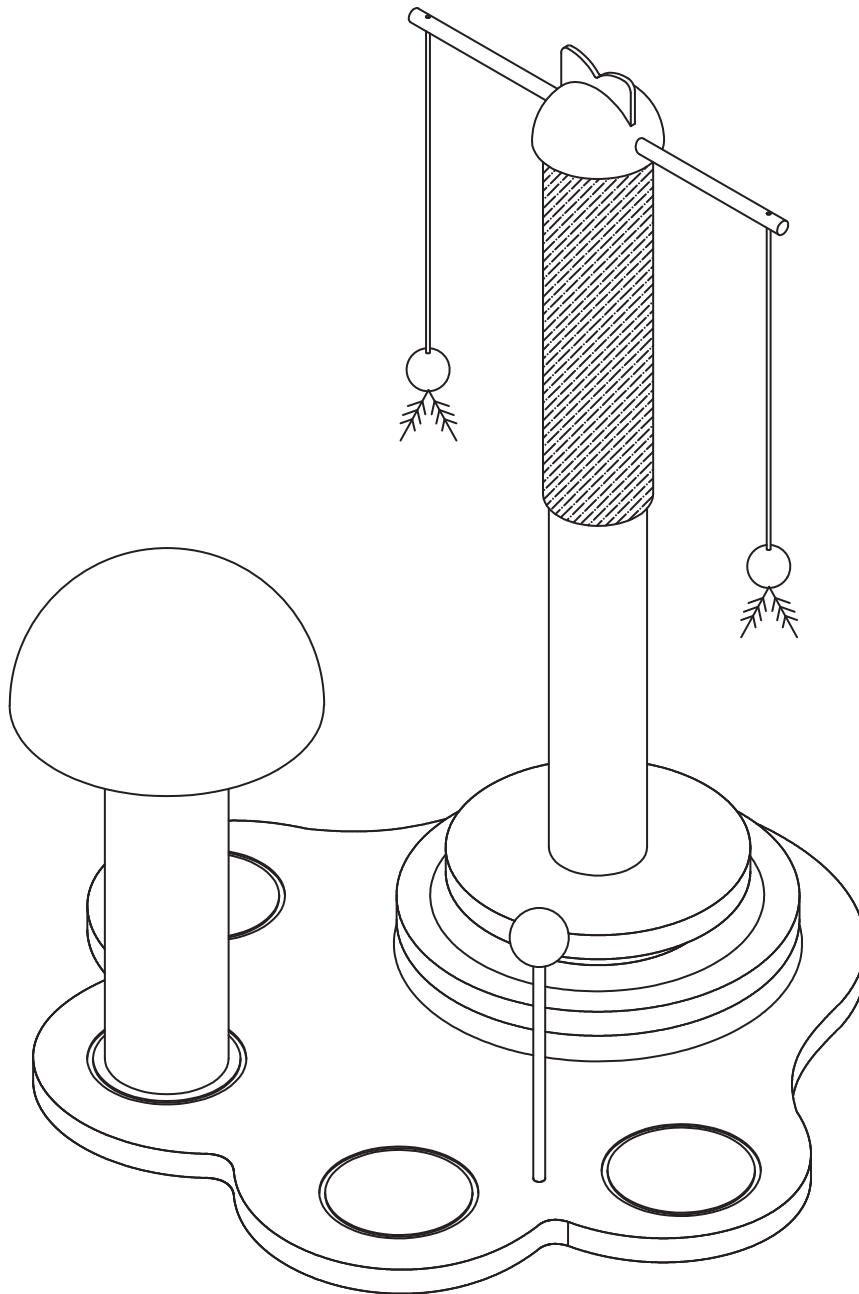


# PawHut!

INdhc009\_GL

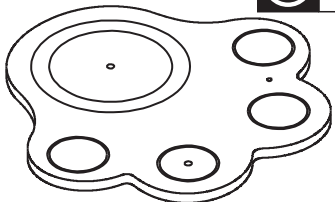
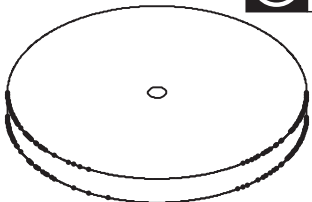
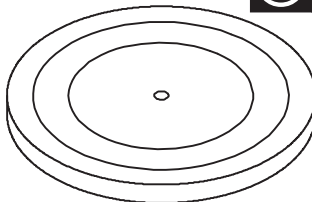
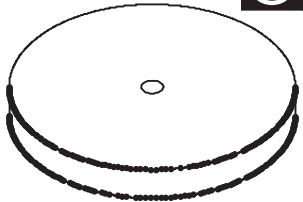
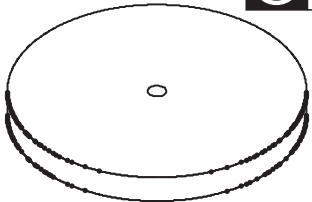


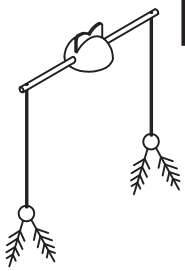

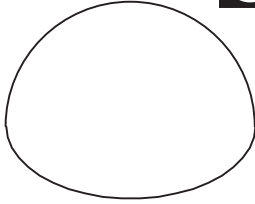

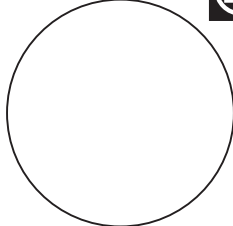
**D30-454**



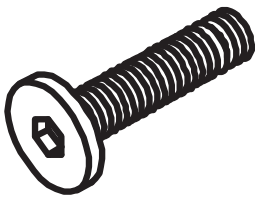
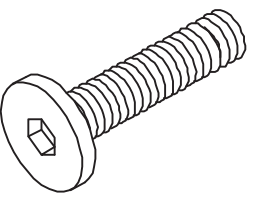
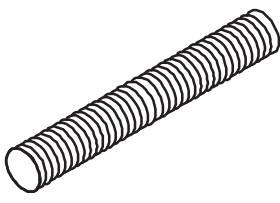
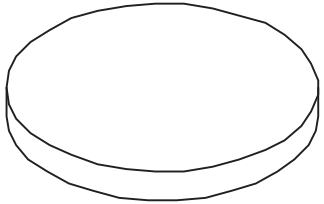
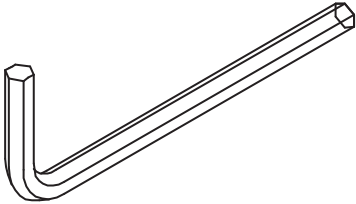
IMPORTANT, RETAIN FOR FUTURE REFERENCE: READ CAREFULLY

## ASSEMBLY & INSTRUCTION MANUAL

**PARTS**

|  |  |  |
|--|--|--|
|  <p><b>1</b> x01</p>    |  <p><b>2</b> x01</p>    |  <p><b>3</b> x01</p>    |
|  <p><b>4</b> x01</p>    |  <p><b>5</b> x01</p>    |  <p><b>6</b> x01</p>    |
|  <p><b>7</b> x01</p>   |  <p><b>8</b> x01</p>   |  <p><b>9</b> x01</p>   |
|  <p><b>10</b> x01</p> |  <p><b>11</b> x01</p> |  <p><b>12</b> x04</p> |

**HARDWARE**

|   |  |   |
|---|--|---|
|  <p><b>A</b> x01<br/>M8*50</p>             |  <p><b>B</b> x01<br/>M8*100</p> |  <p><b>C</b> x01<br/>M8*50</p> |
|  <p><b>D</b> x04<br/>M38<br/>+1(spare)</p> |  <p><b>E</b> x01<br/>M5</p>    |   |

- A** x01  
M8\*50
- B** x01  
M8\*100
- C** x01  
M8\*50
- D** x04  
M38

