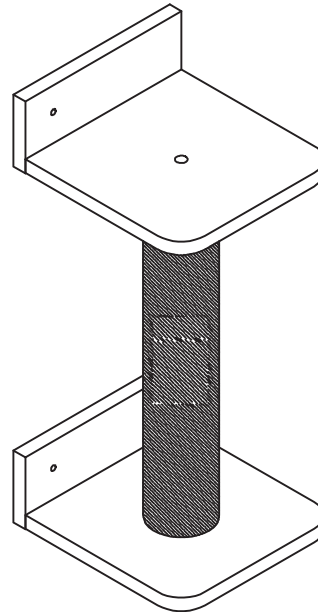
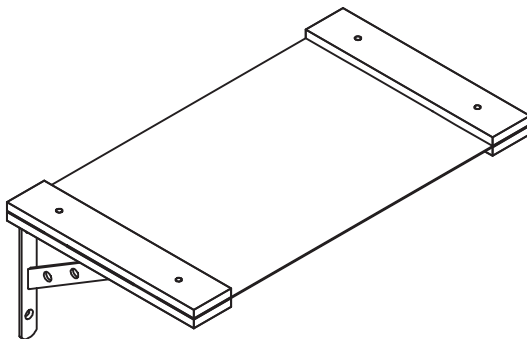


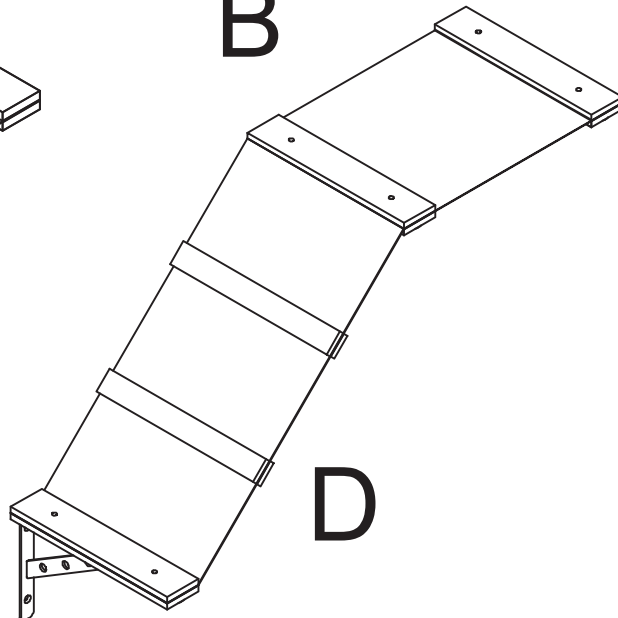
A



B



C



D

EN_IMPORTANT, RETAIN FOR FUTURE REFERENCE: READ CAREFULLY.

FR_IMPORTANT: A LIRE ATTENTIVEMENT ET À CONSERVER POUR CONSULTATION ULTÉRIEURE.

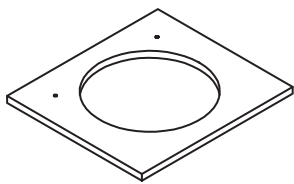
ES_IMPORTANTE, LEA Y GUARDE PARA FUTURAS REFERENCIAS.

DE_WICHTIG! SORGFÄLTIG LESEN UND FÜR SPÄTER NACHSCHLAGEN AUFBEWAHREN.

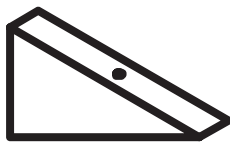
IT_IMPORTANTE! CONSERVARE IL PRESENTE MANUALE PER FUTURO RIFERIMENTO E LEGGERLO ATTENTAMENTE.

PARTS

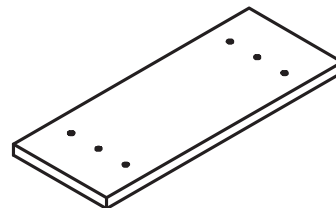
1 x1



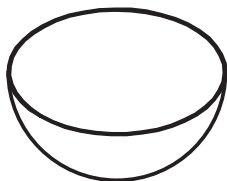
2 x2



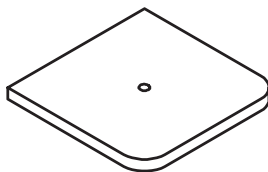
3 x1



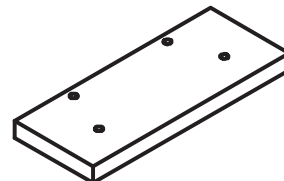
4 x1



5 x2



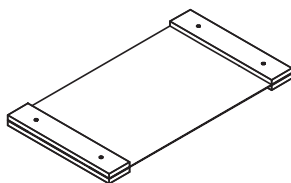
6 x2



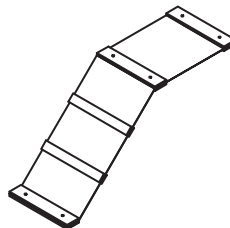
7 x1



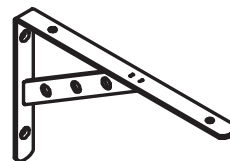
8 x1



9 x1



10 x5



HARDWARE

A x16
M5*60
+1(spare)



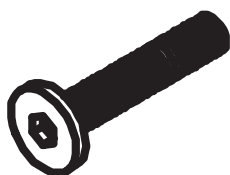
B x16
M8*40
+1(spare)



C x10
M 4*25
+1(spare)



D x2
M 10*40



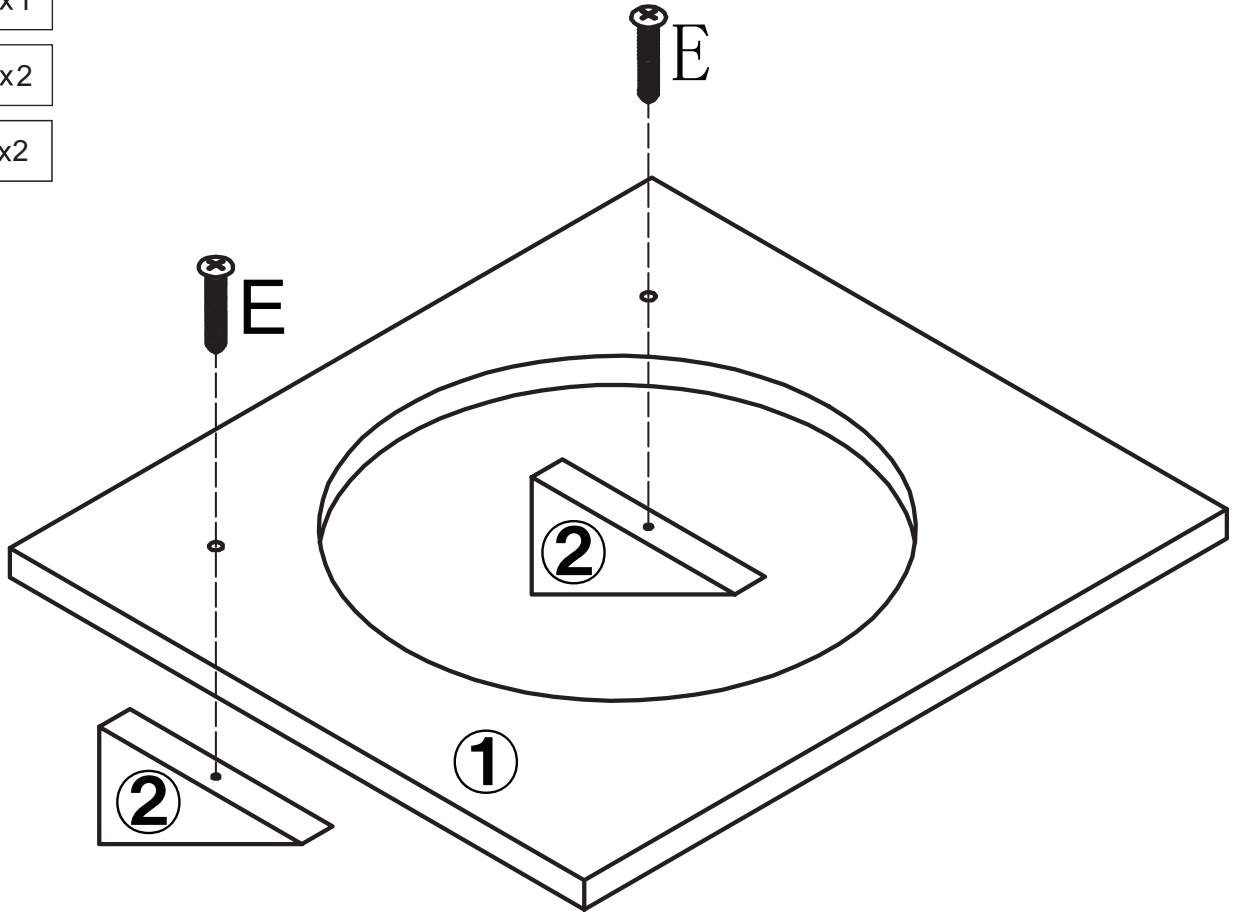
E x10
M 4*40
+1(spare)



F x1

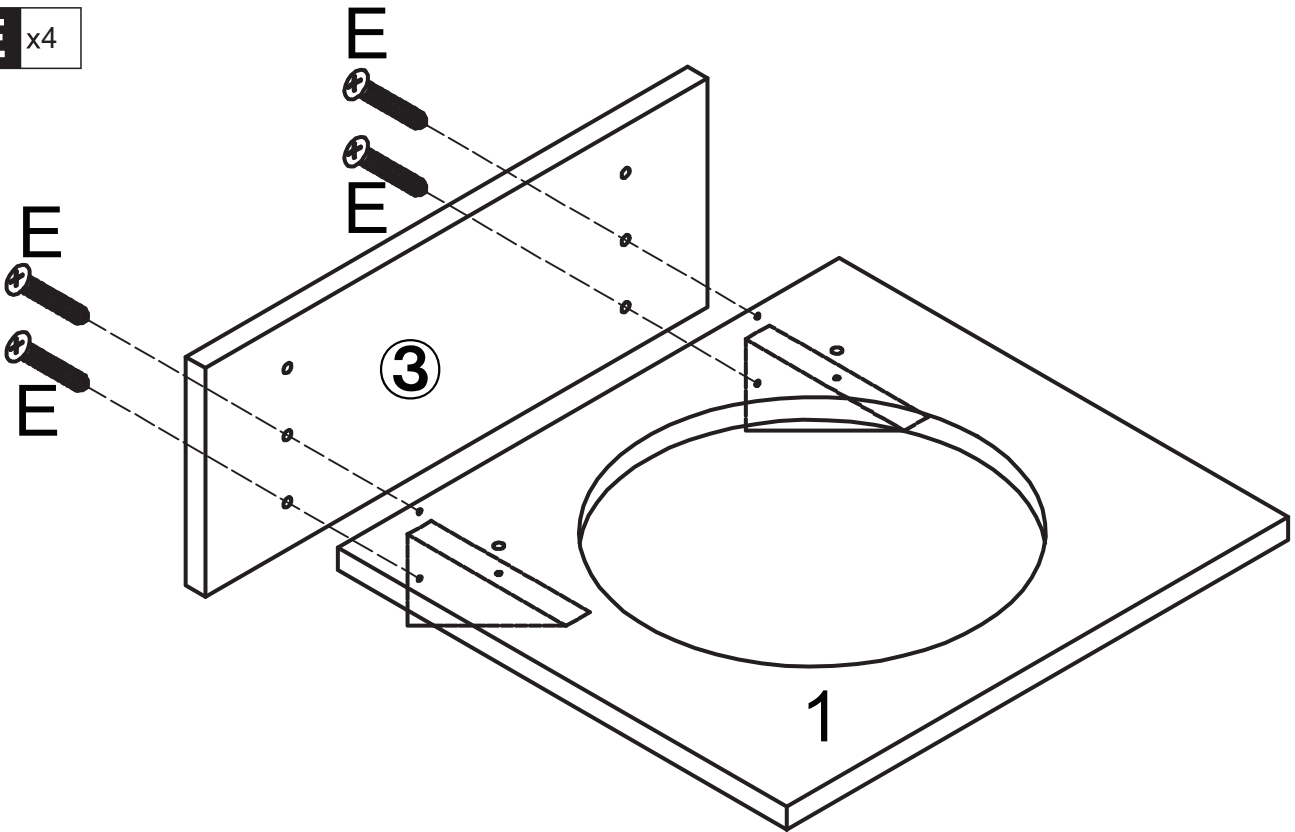


- 1** x1
- 2** x2
- E** x2



A

- 3** x1
- E** x4

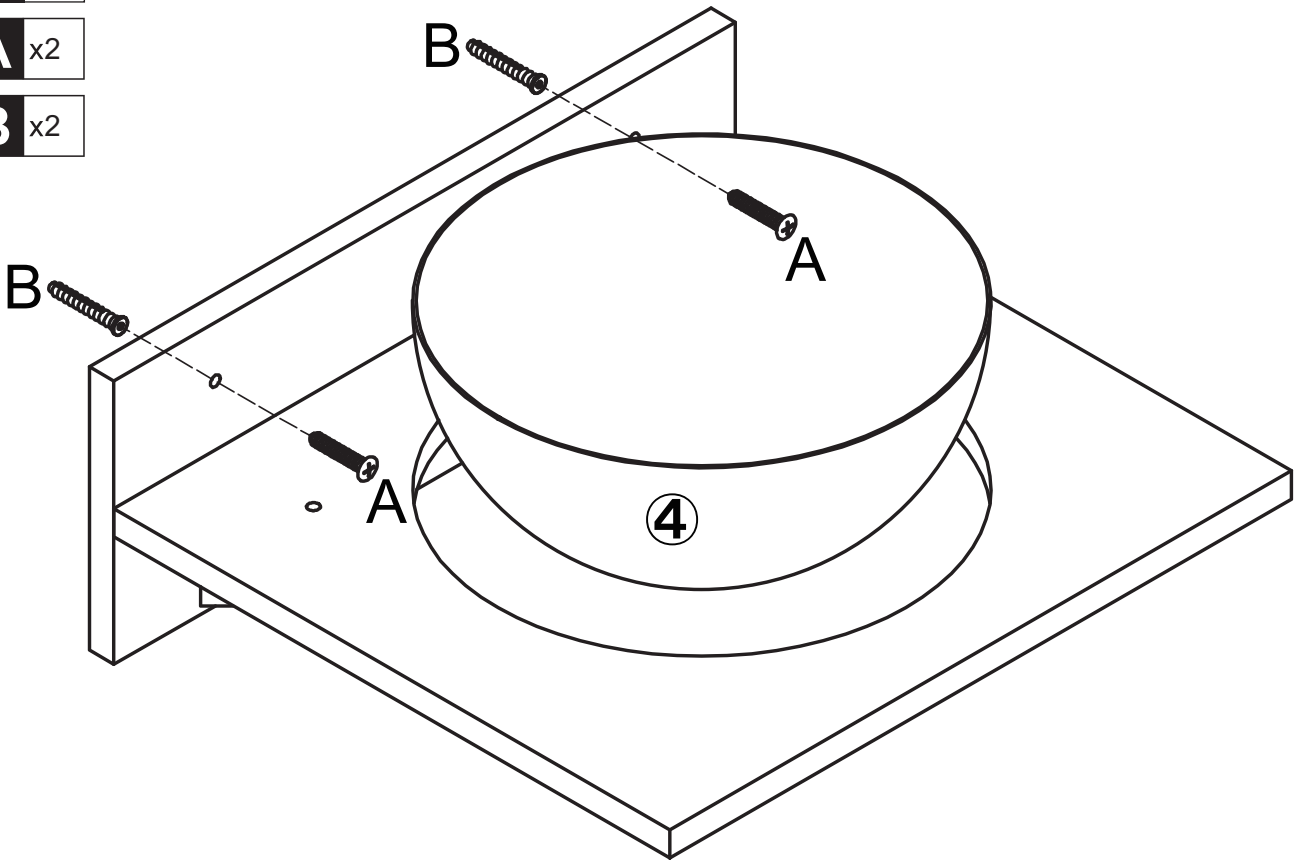


A

④ x1

A x2

B x2

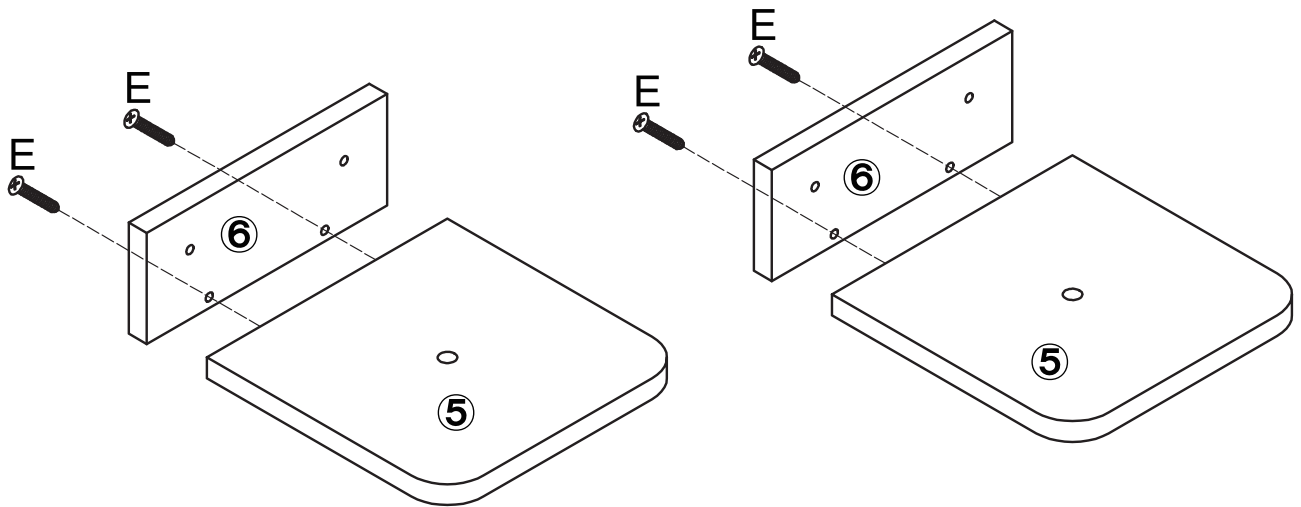


A

⑤ x2

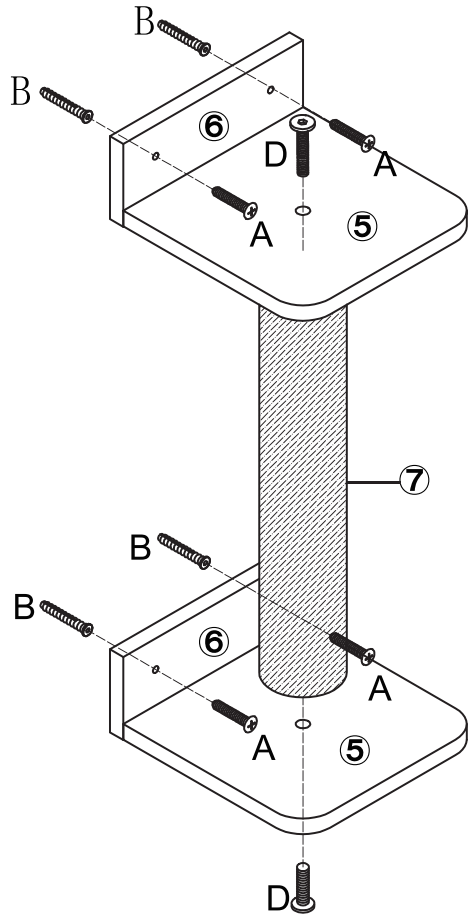
⑥ x2

E x4



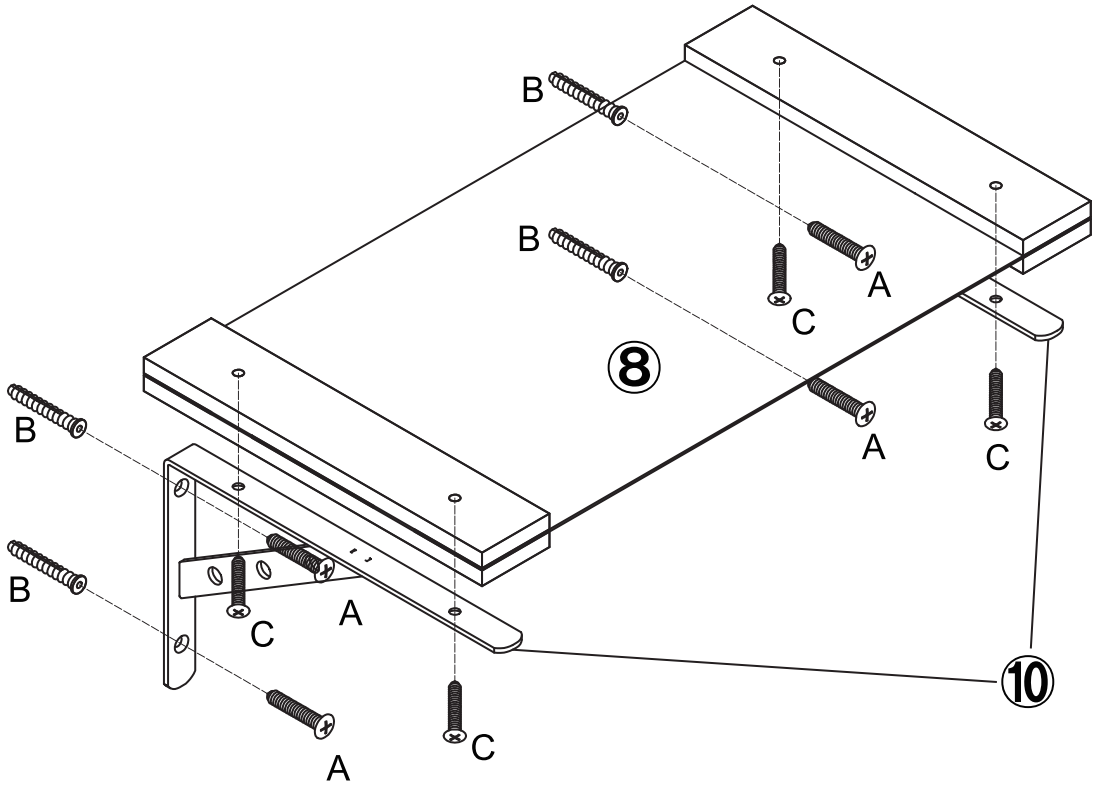
B

- 7** x1
- A** x4
- B** x4
- D** x2



B

- 8** x1
- 10** x2
- A** x4
- B** x4
- C** x4



C

- 9** x1
- 10** x3
- A** x6
- B** x6
- C** x6

