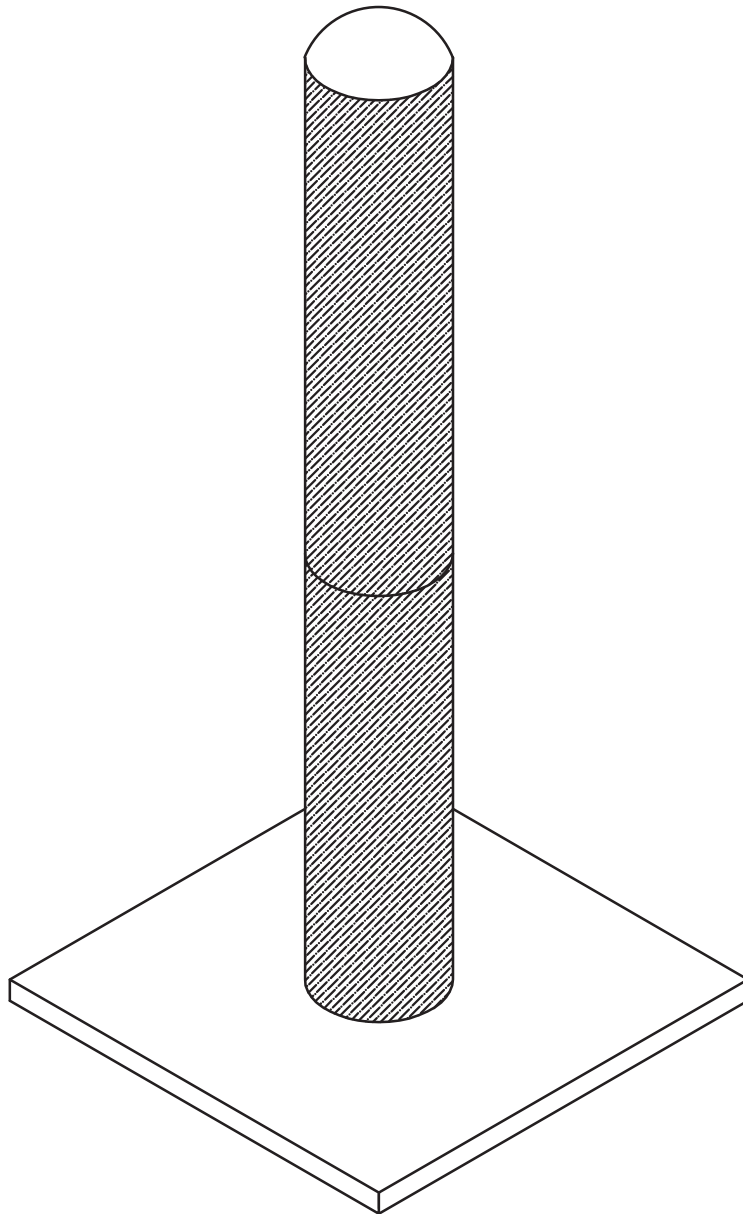


# PawHut

INdhc017\_GL

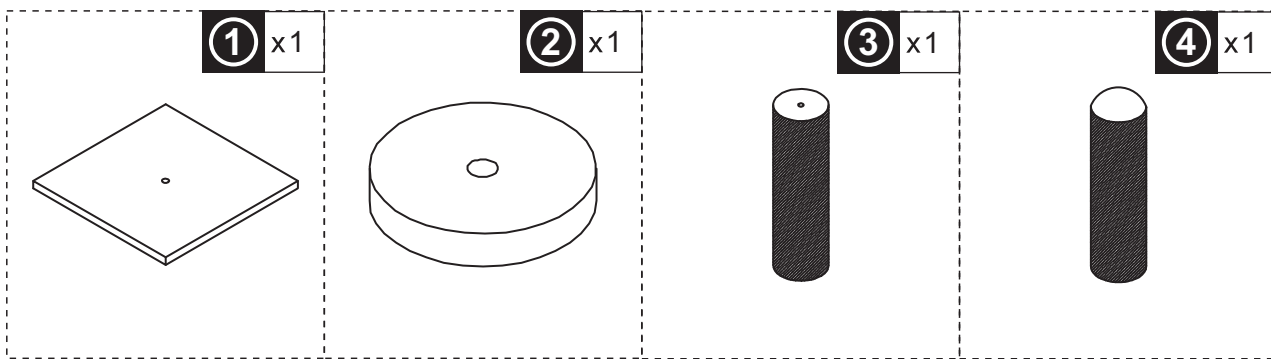
**D30-455**



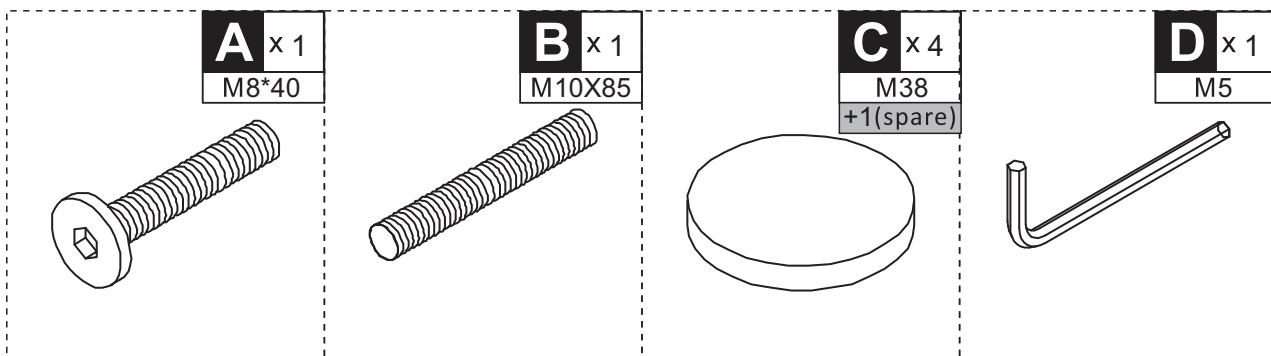
IMPORTANT, RETAIN FOR FUTURE REFERENCE: READ CAREFULLY

## ASSEMBLY & INSTRUCTION MANUAL

**PARTS**



**HARDWARE**



**01**

A x 1  
M8\*40

B x 1  
M10X85

C x 4  
M38

