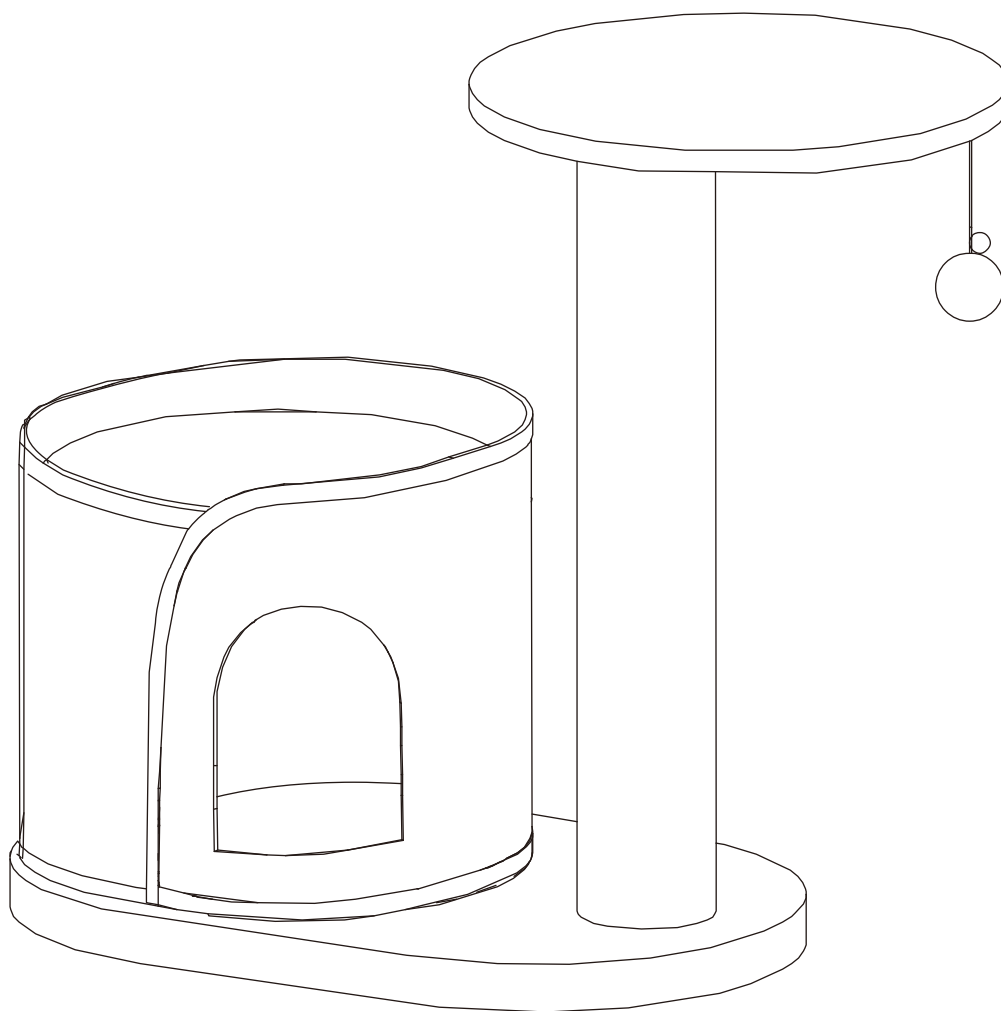


PawHut®

INdhc018_GL

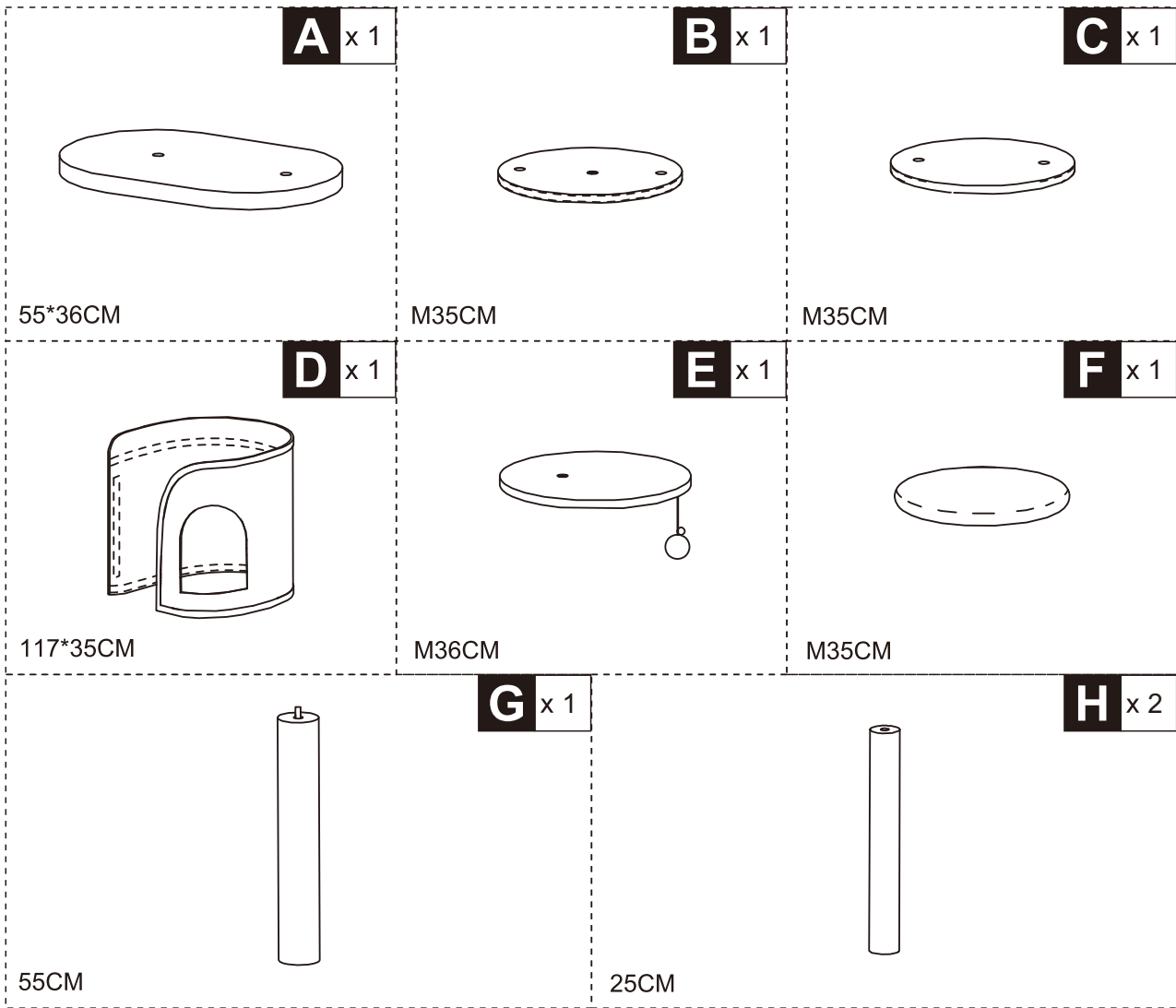
D30-465



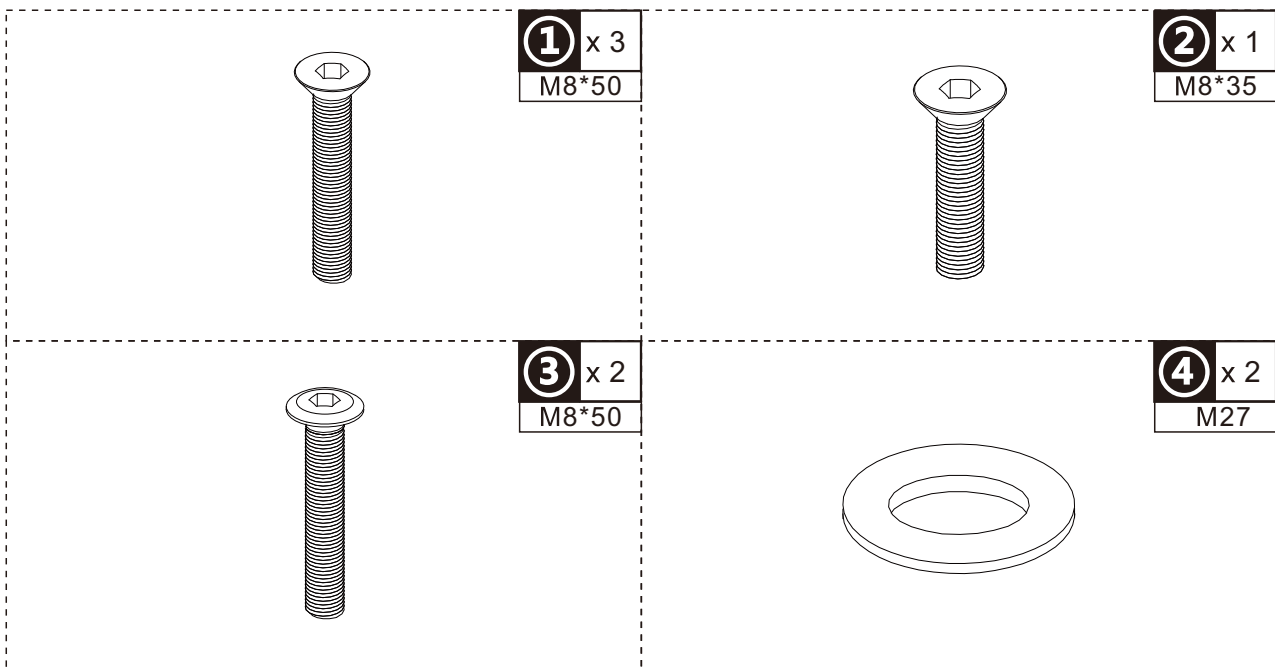
IMPORTANT, RETAIN FOR FUTURE REFERENCE: READ CAREFULLY

ASSEMBLY & INSTRUCTION MANUAL

PARTS



HARDWARE



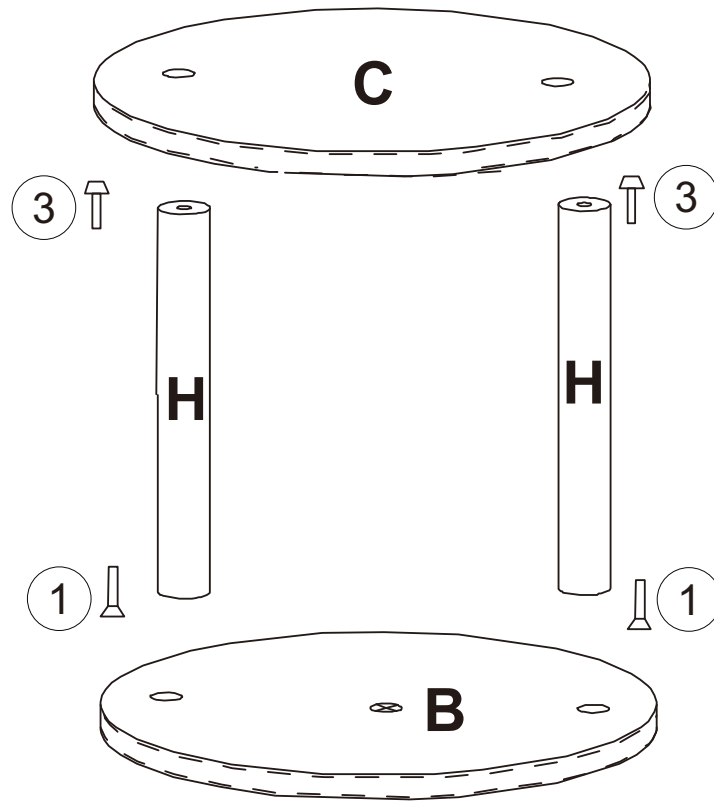
B x 1

C x 1

H x 2

1 x 2

3 x 2



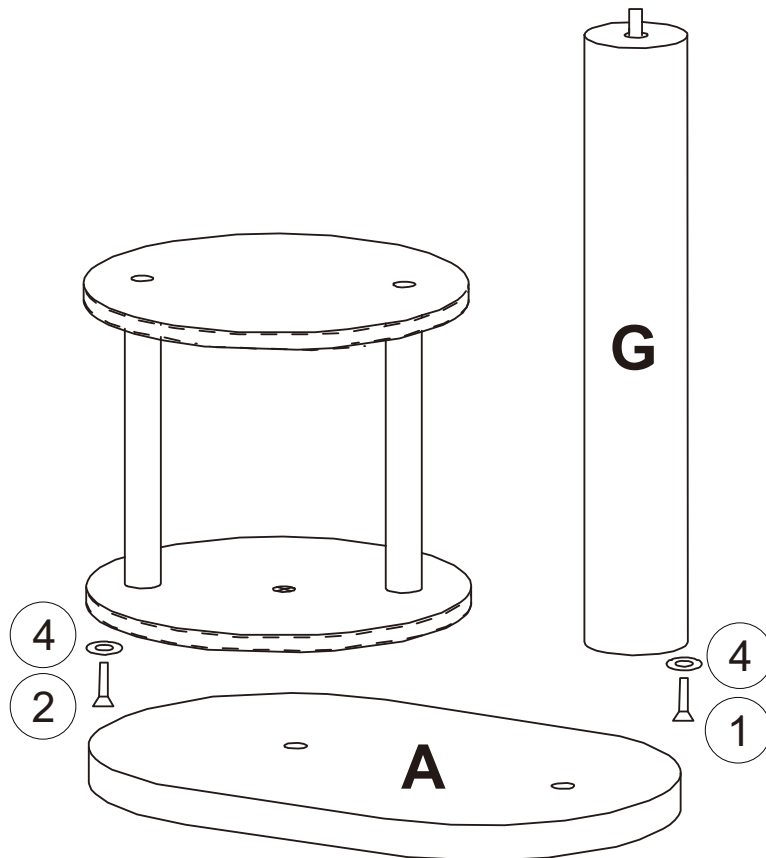
A x 1

G x 1

1 x 1

2 x 1

4 x 2



D x 1

E x 1

F x 1

