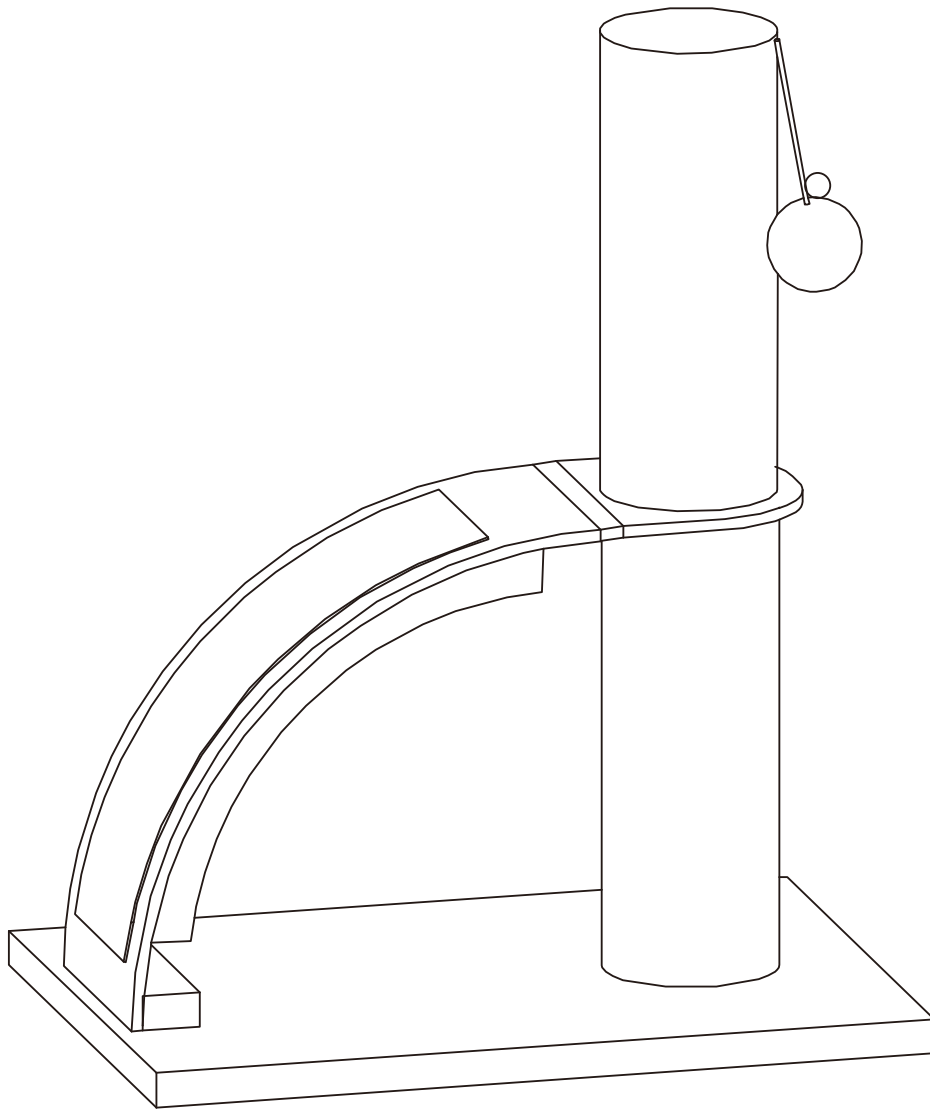


PawHut

INdhc019_GL

D30-466



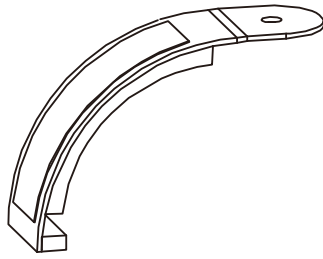
IMPORTANT, RETAIN FOR FUTURE REFERENCE: READ CAREFULLY

ASSEMBLY & INSTRUCTION MANUAL

A x 1



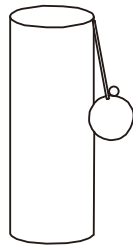
B x 1



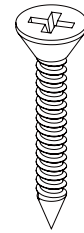
C x 1



D x 1



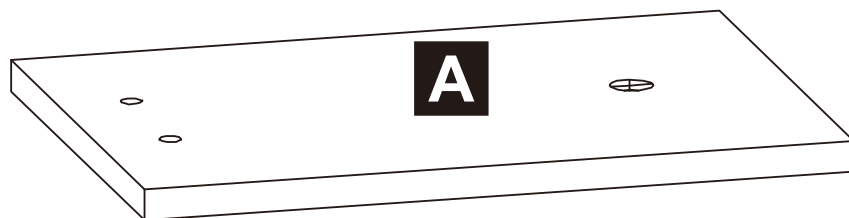
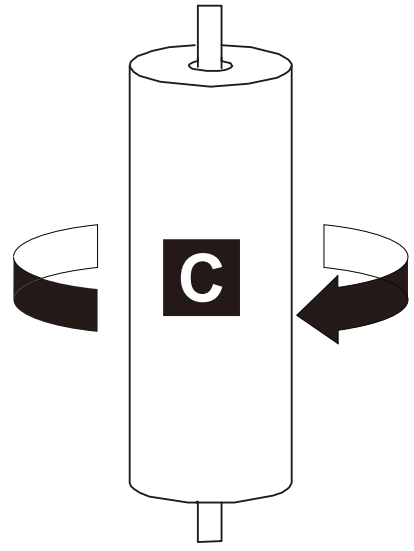
1 x 2
M4*30



A x 1

C x 1

01



B x 1

D x 1

1 x 1

