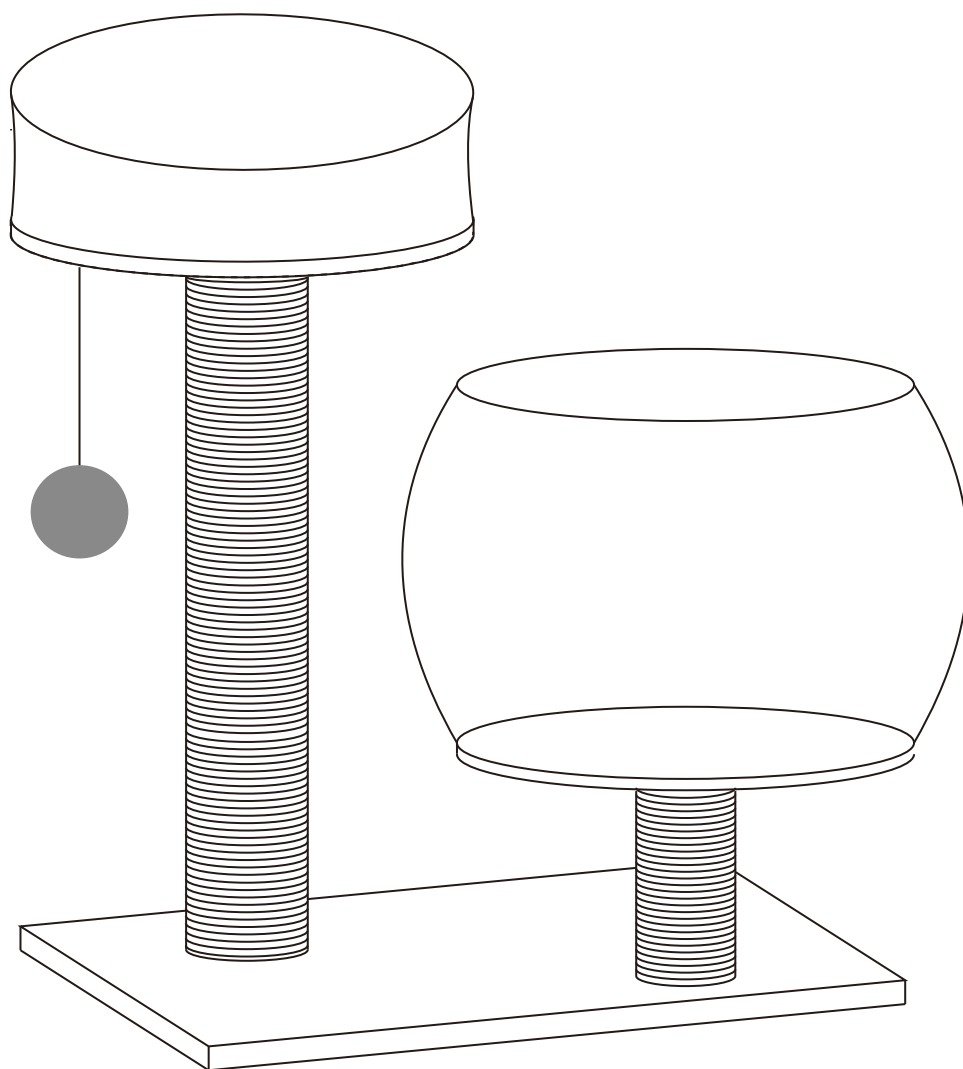


# PawHut

INdhc020\_GL

**D30-478**



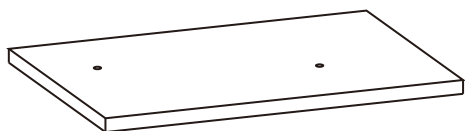
IMPORTANT, RETAIN FOR FUTURE REFERENCE: READ CAREFULLY

## ASSEMBLY & INSTRUCTION MANUAL

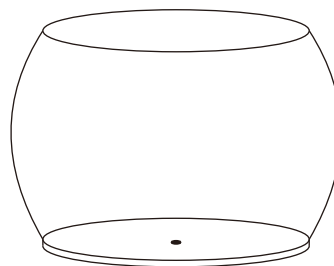
**PARTS**

**A** x 1

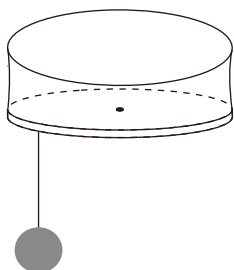
545\*405\*15



**B** x 1



**C** x 1



**D** x 1



**E** x 1



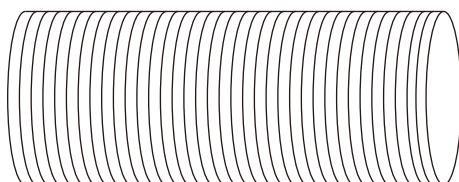
**F** x 1

φ85x550



**G** x 1

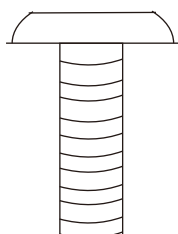
φ85x150



**HARDWARE**

**H** x 4

M8\*40



**I** x 1

M5

