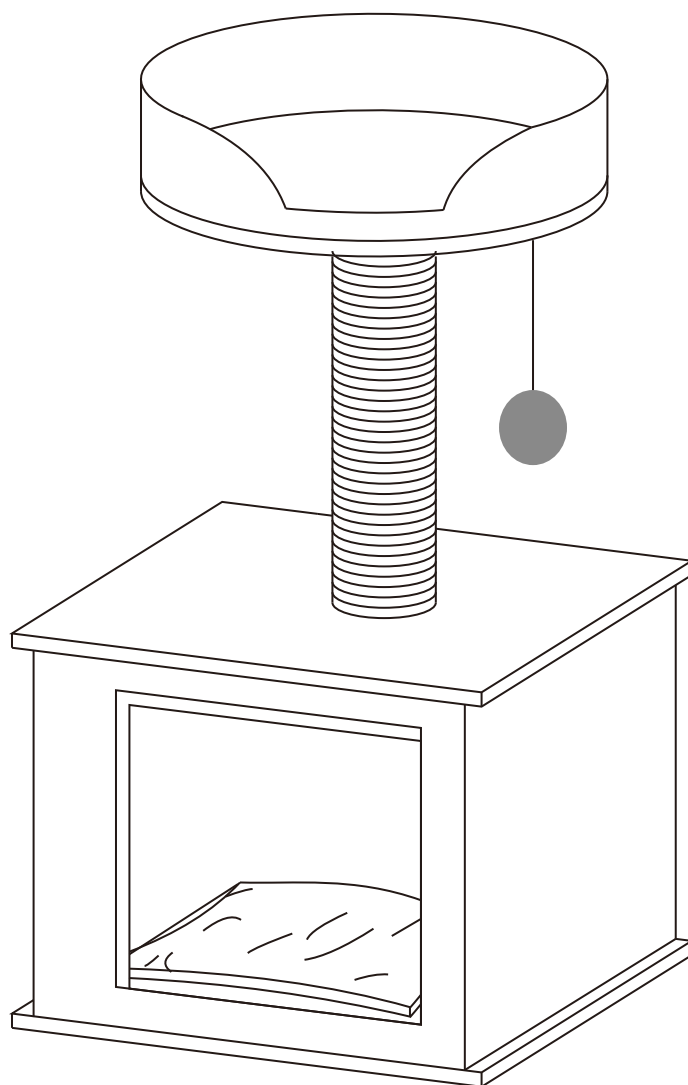


# PawHut

INdhc023\_GL

**D30-483**

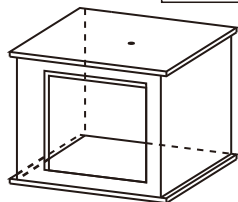


IMPORTANT, RETAIN FOR FUTURE REFERENCE: READ CAREFULLY

## ASSEMBLY & INSTRUCTION MANUAL

PARTS

**A** x 1  
365\*365\*190



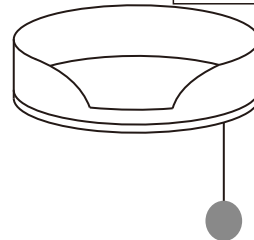
**B** x 1



**C** x 1  
φ85\*300

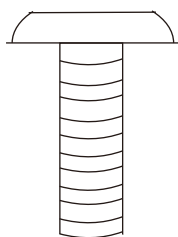


**D** x 1  
305\*305\*85



HARDWARE

**E** x 4  
M8\*40



**F** x 1  
M5

