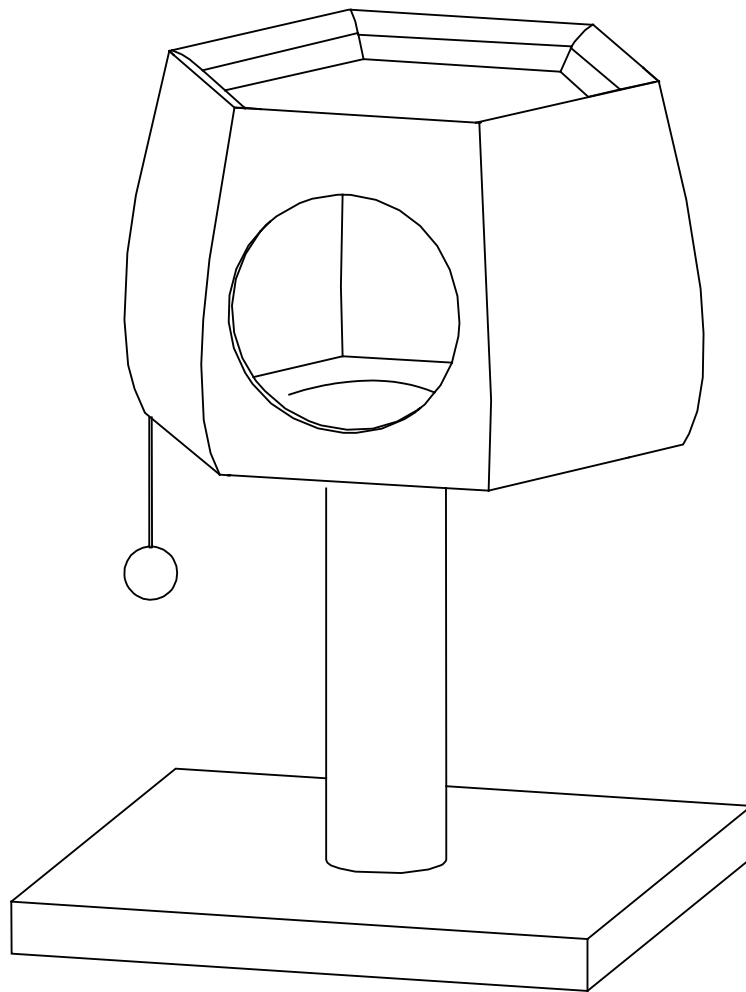


PawHut

INdhc024_GL

D30-404



IMPORTANT, RETAIN FOR FUTURE REFERENCE: READ CAREFULLY

ASSEMBLY & INSTRUCTION MANUAL

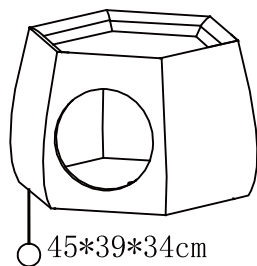
PARTS

① x1



45*45*3cm

② x1



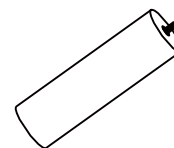
45*39*34cm

③ x1



43*43cm

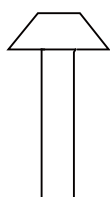
④ x1



D8.5*30cm

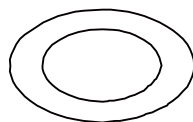
HARDWARE

A x1



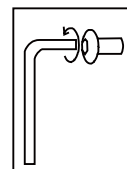
M8*40MM

B x1



M30MM

C x1

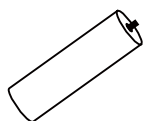


01

① x1



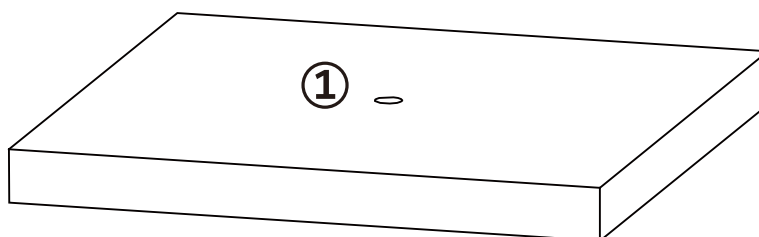
④ x1



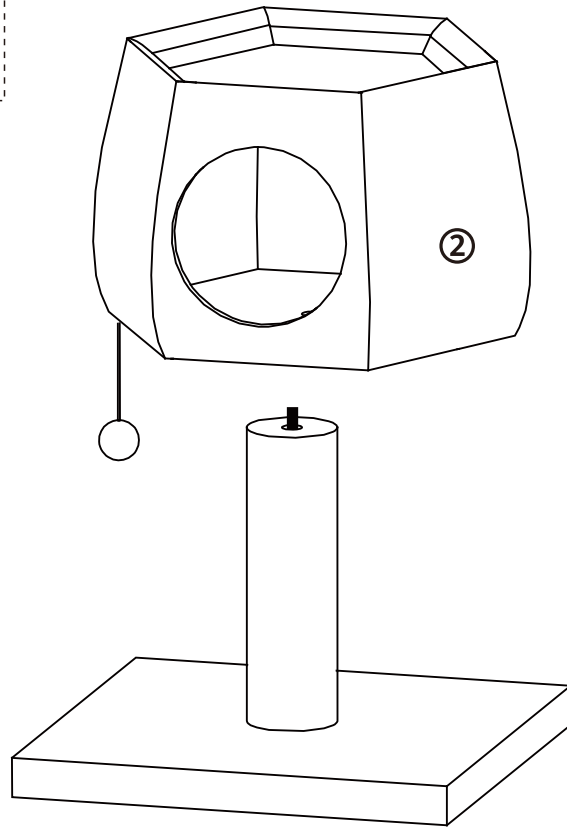
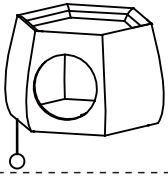
A x1



B x1



② x1



③ x1

