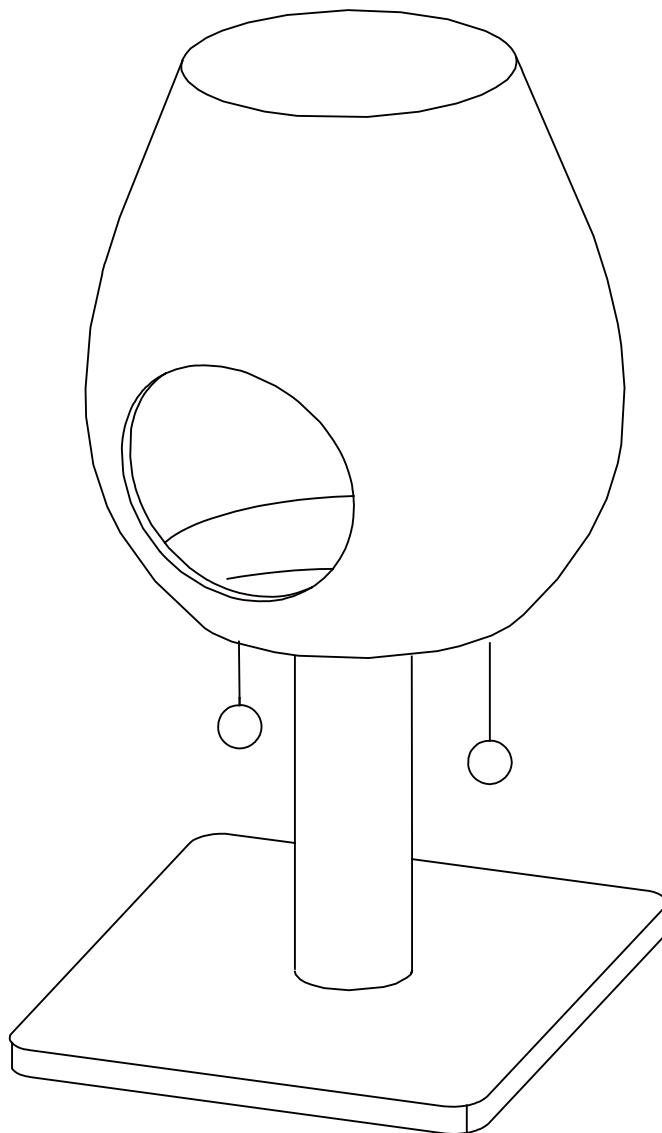


PawHut

INdhc026_GL

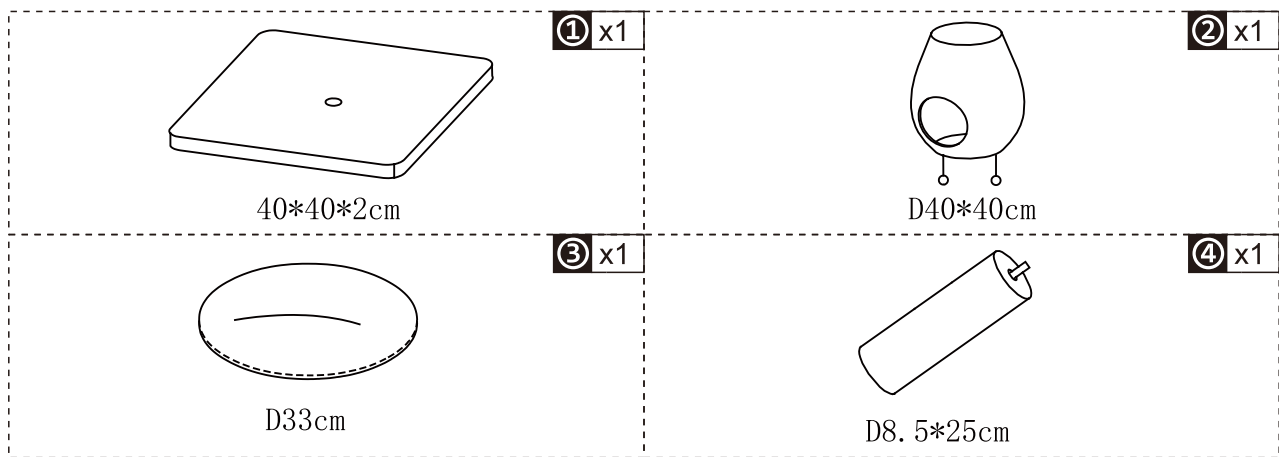
D30-406



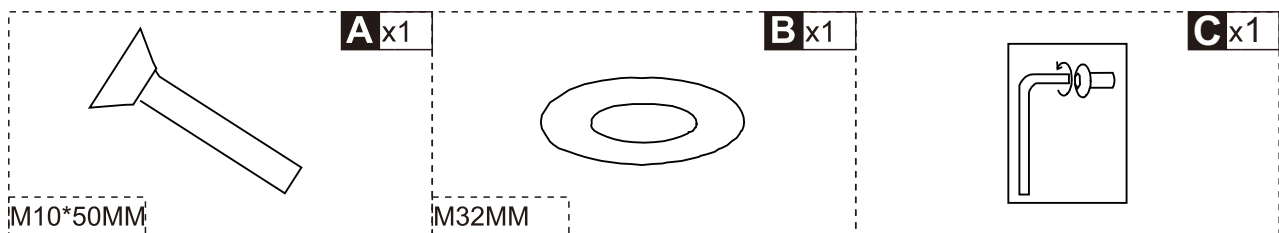
IMPORTANT, RETAIN FOR FUTURE REFERENCE: READ CAREFULLY

ASSEMBLY & INSTRUCTION MANUAL

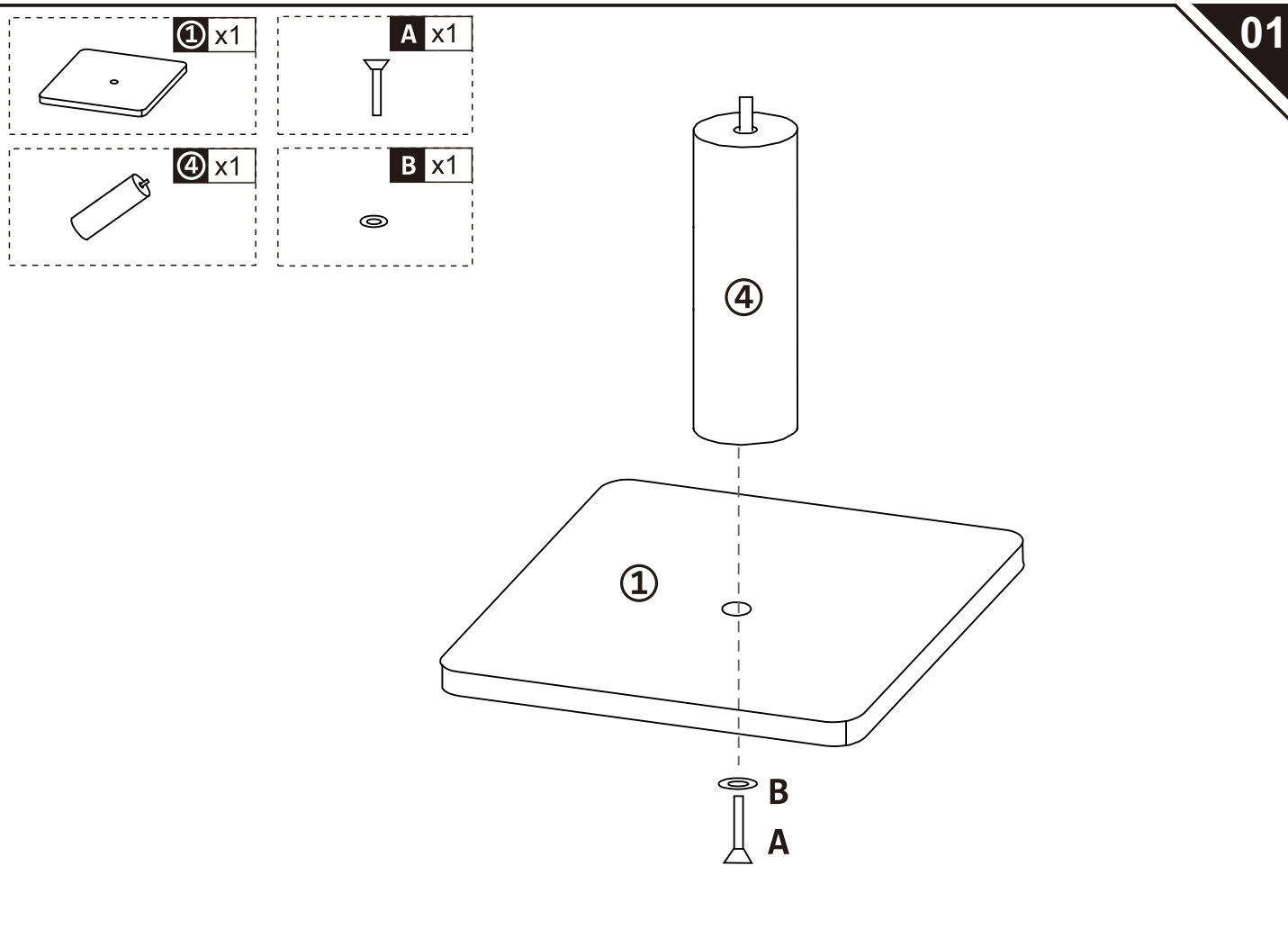
PARTS



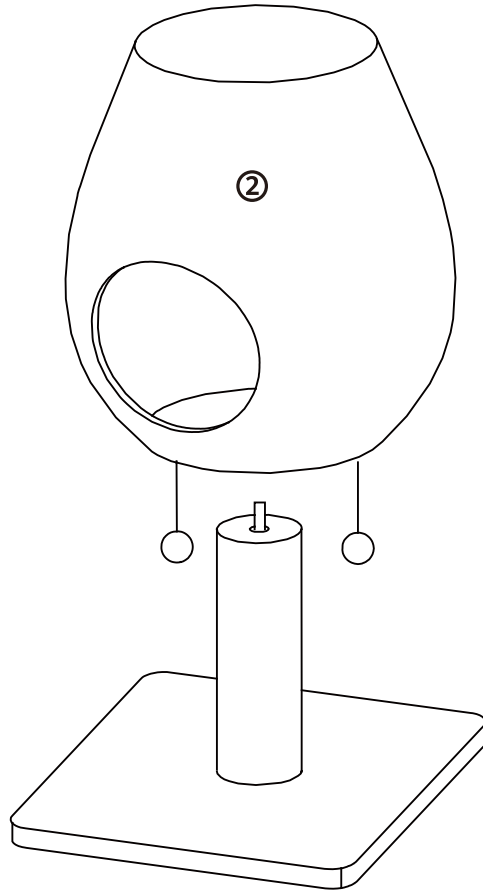
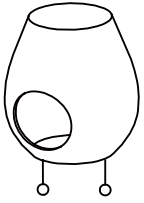
HARDWARE



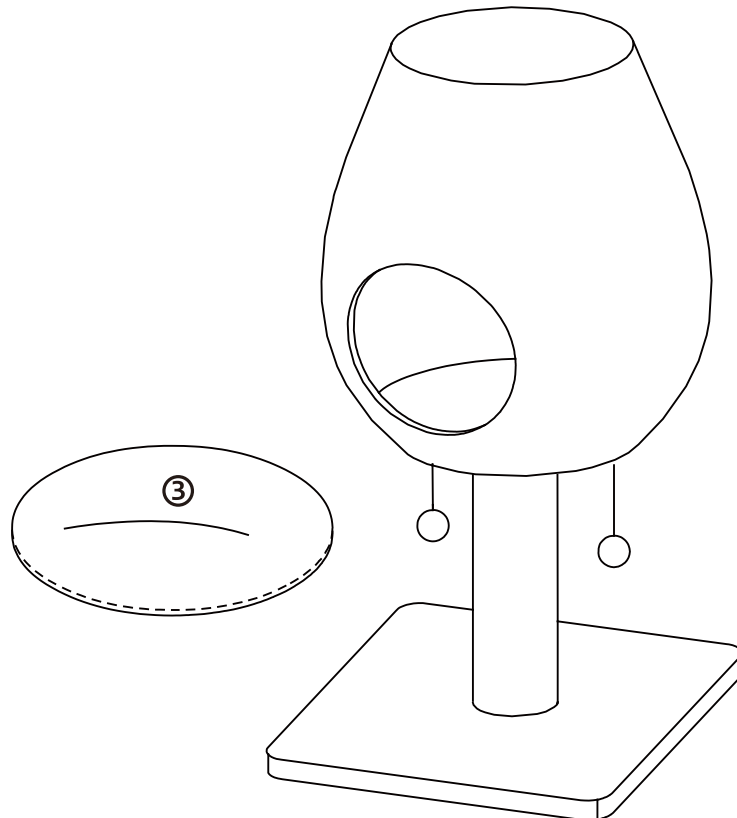
01



② x1



③ x1



Done