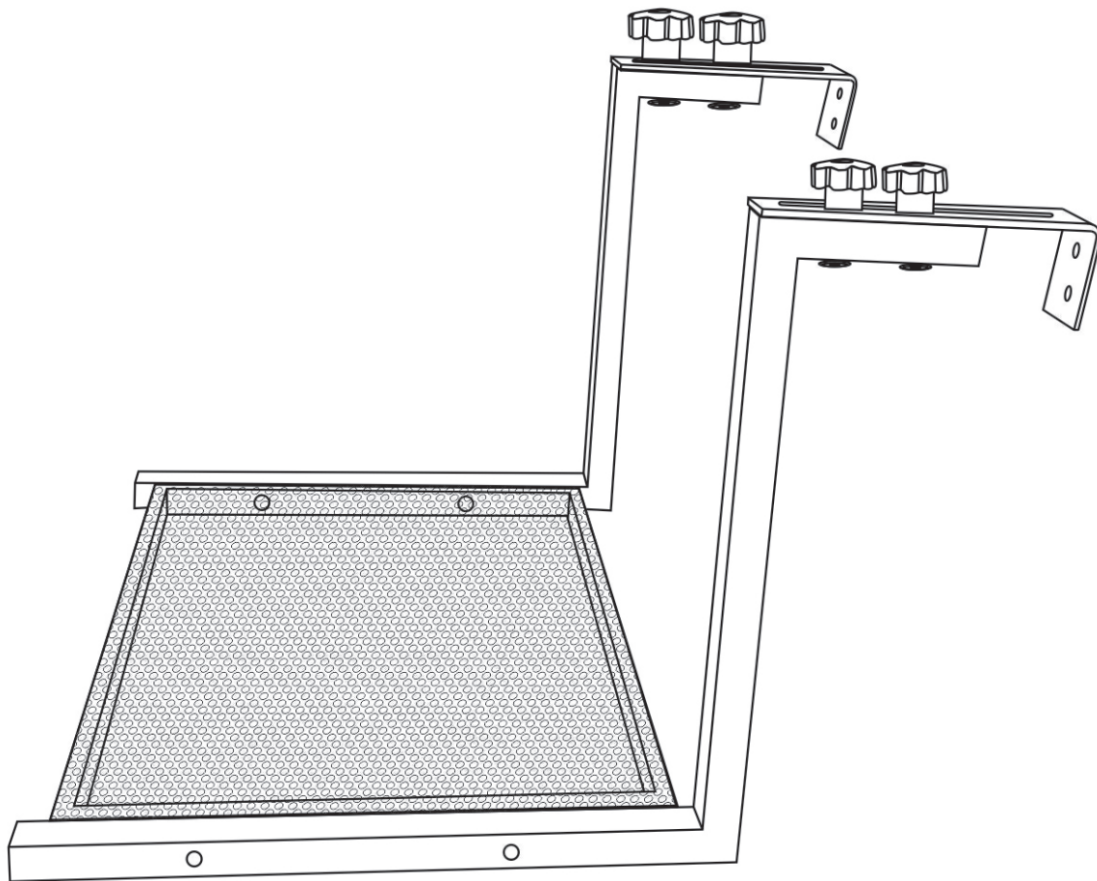


PawHut

INdhc037_GL

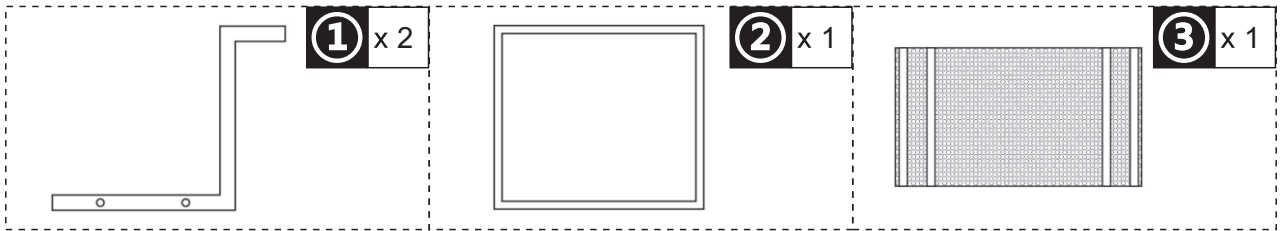
D30-497



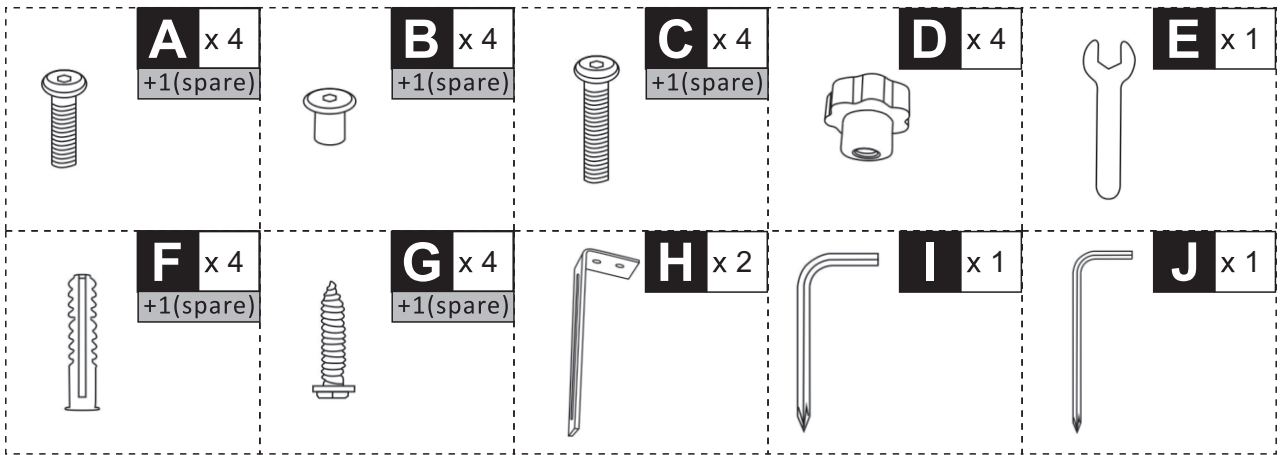
IMPORTANT, RETAIN FOR FUTURE REFERENCE: READ CAREFULLY

ASSEMBLY & INSTRUCTION MANUAL

HARDWARE



PARTS



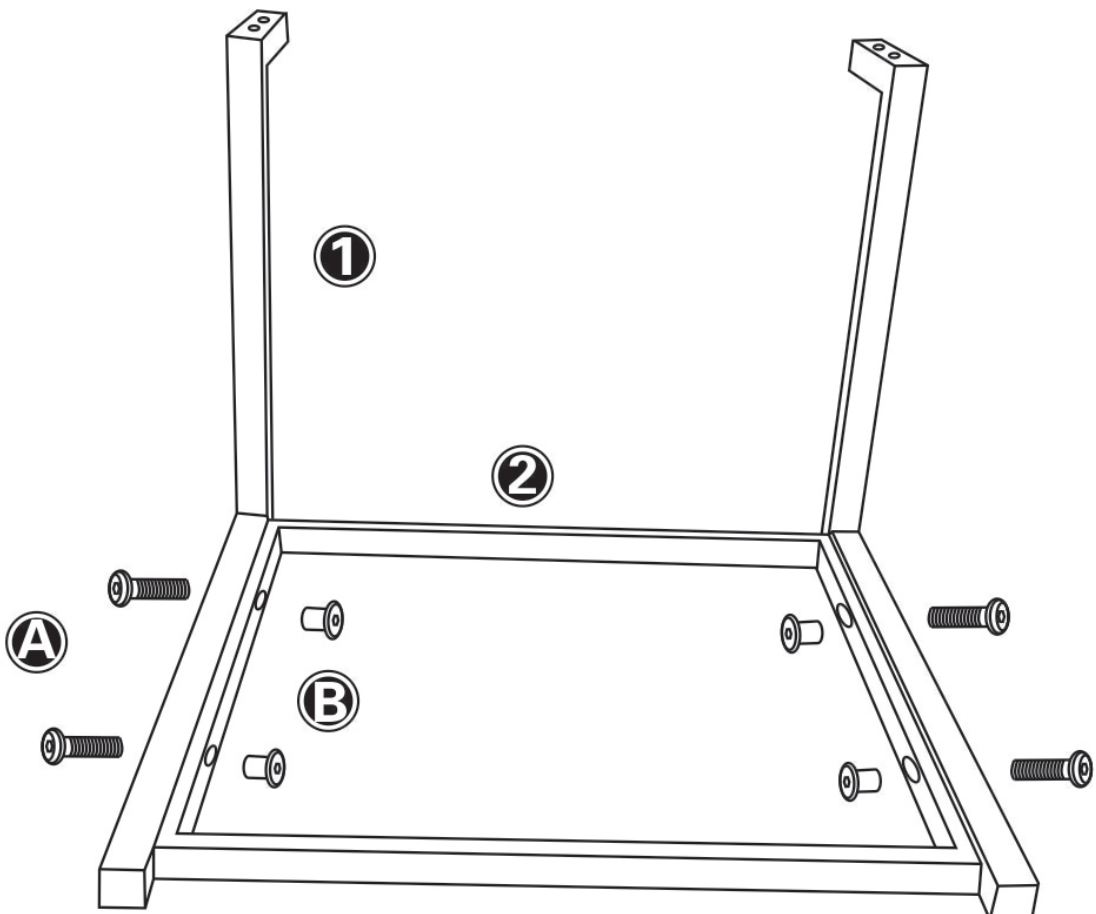
01

① x 2

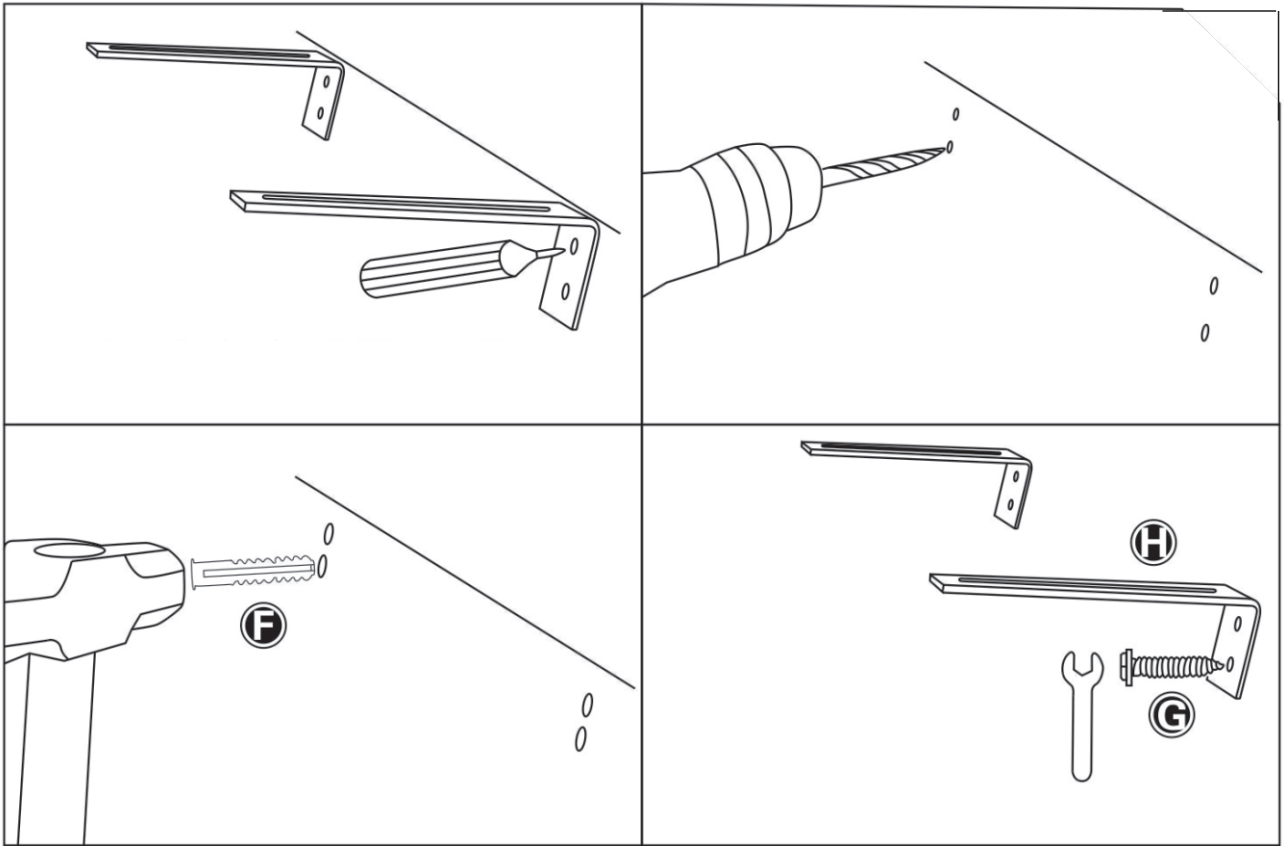
② x 1

A x 4

B x 4



- F** x4
- G** x4
- H** x2



- 3** x1
- C** x4
- D** x4

