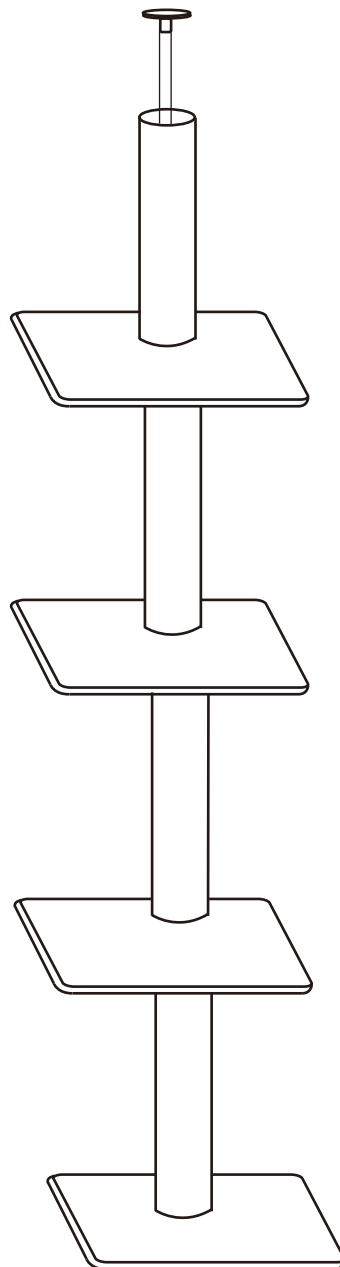


# PawHut

INdhd001\_GL

**D30-296V02\_D30-296V82**

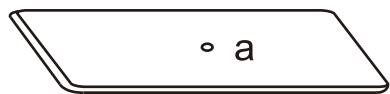


**IMPORTANT, RETAIN FOR FUTURE REFERENCE: READ CAREFULLY**

## ASSEMBLY & INSTRUCTION MANUAL

**PARTS**

**A** x 1



43\*27\*1.5mm

**B** x 3



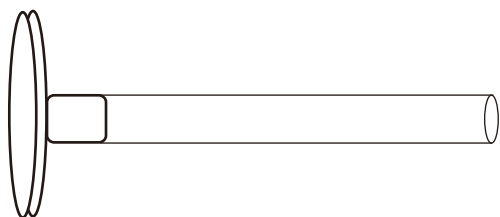
43\*27\*1.5mm

**C** x 3

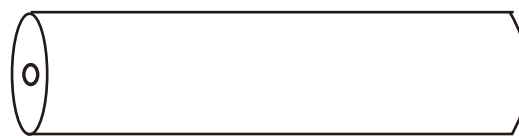


9\*55mm

**D** x 1



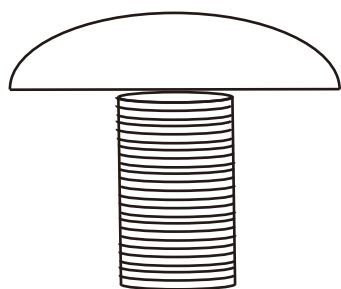
**E** x 1



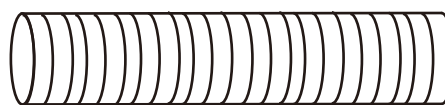
9\*55mm

**HARDWARE**

**F** x 1  
M10\*40



**G** x 3  
M10\*85



**H** x 1  
M10\*30



**I** x 1  
M5

