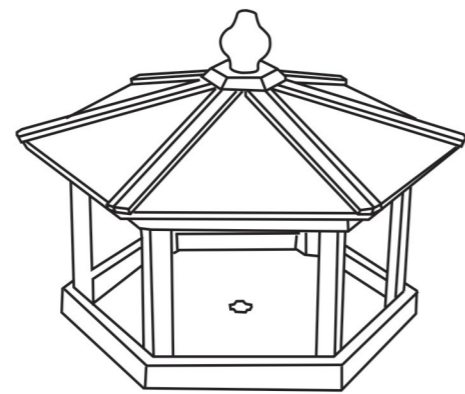
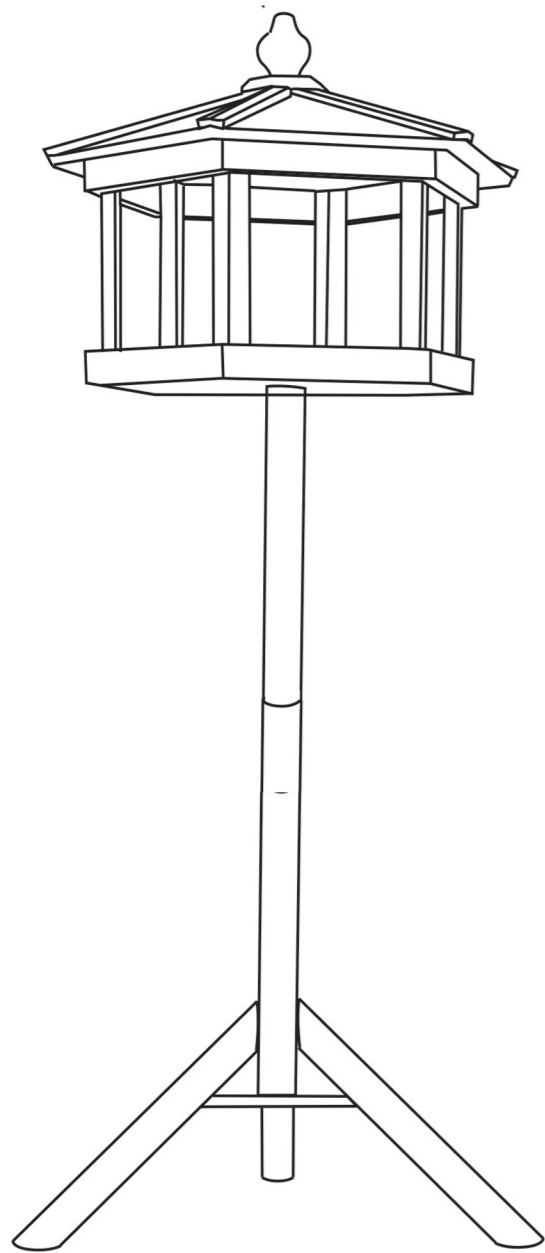
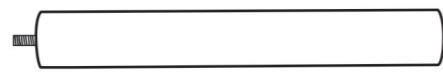




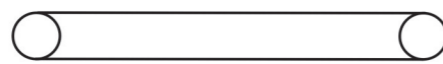
Assembly Instructions



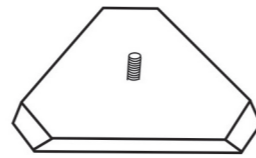
Ax1



Bx2



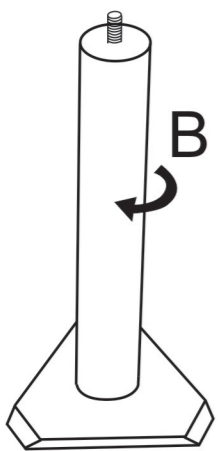
Cx3



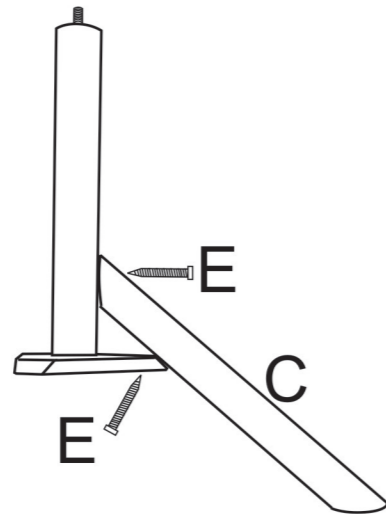
Dx1



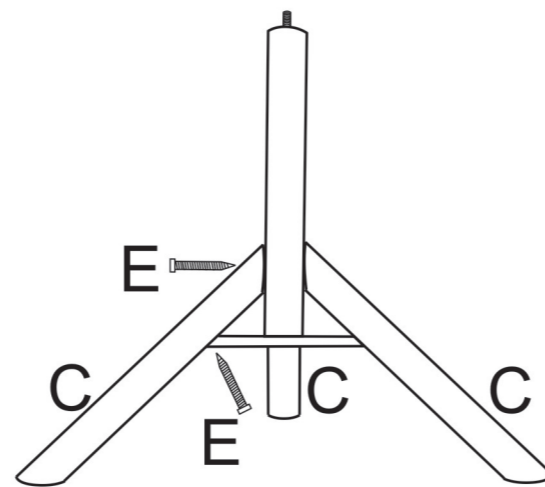
Ex6



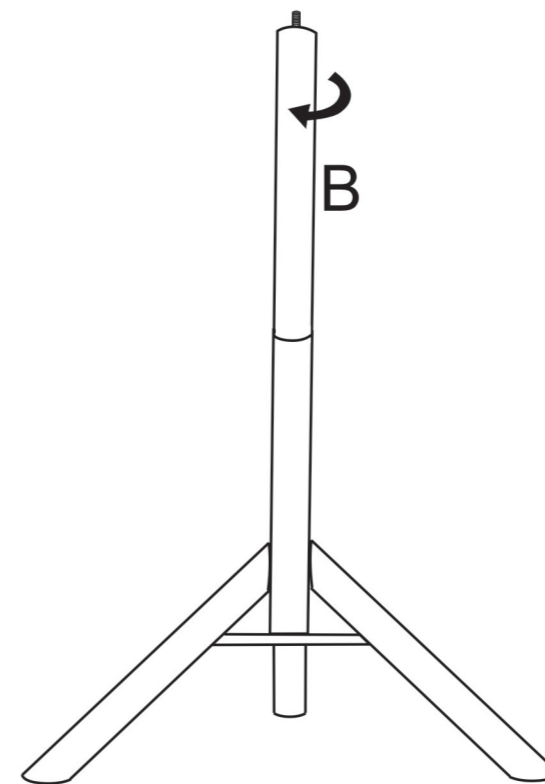
Step1



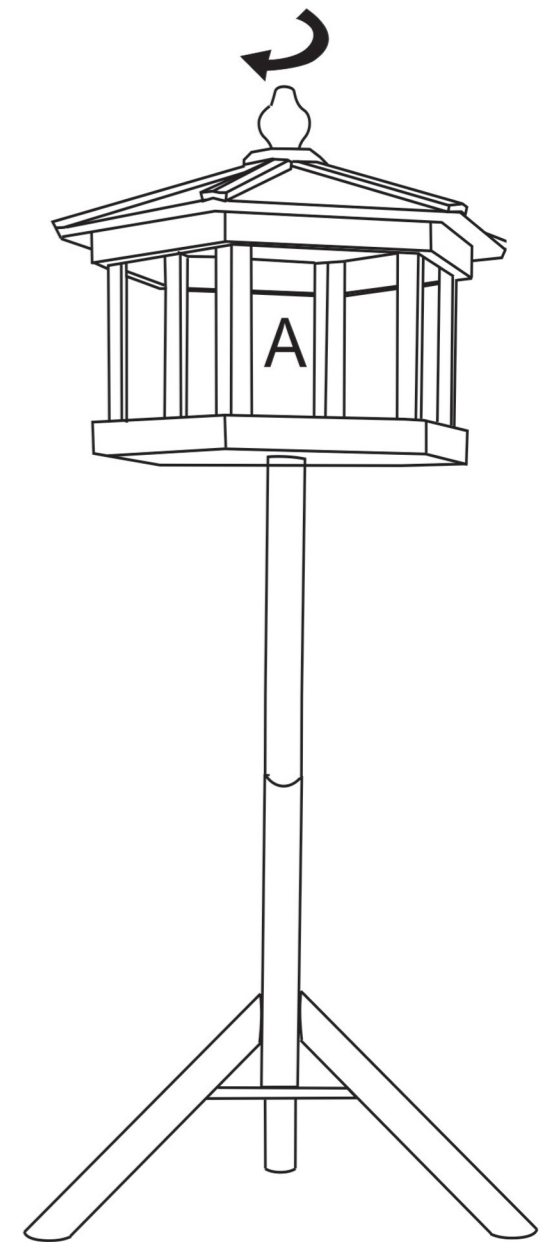
Step2



Step3



Step4



Step5