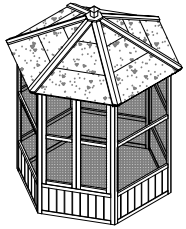




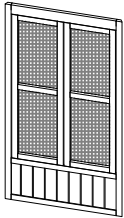
ASSEMBLY INSTRUCTION

D10-034

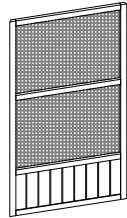


SCREW

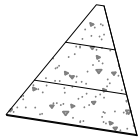
- A 3.5*30 (60PCS)
- B 3.5*35 (6PCS)
- C 3.5*50 (17PCS)



① 1 PCS



② 5 PCS



③ 6 PCS



④ 6 PCS



⑤ 3 PCS

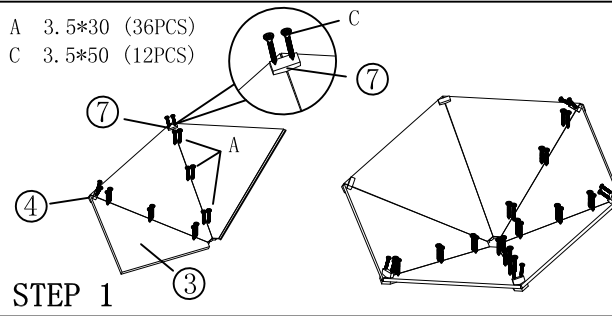


⑥ 1 PCS

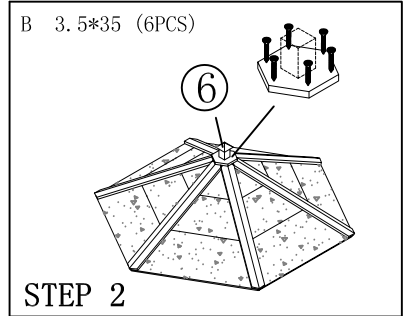


⑦ 6 PCS

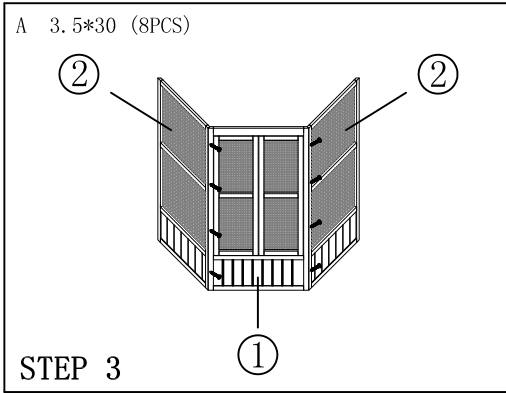
- A 3.5*30 (36PCS)
- C 3.5*50 (12PCS)



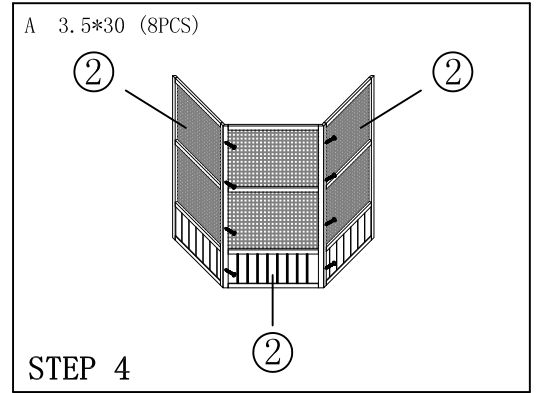
- B 3.5*35 (6PCS)



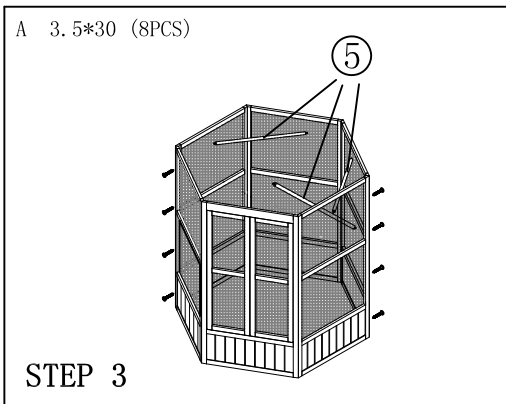
- A 3.5*30 (8PCS)



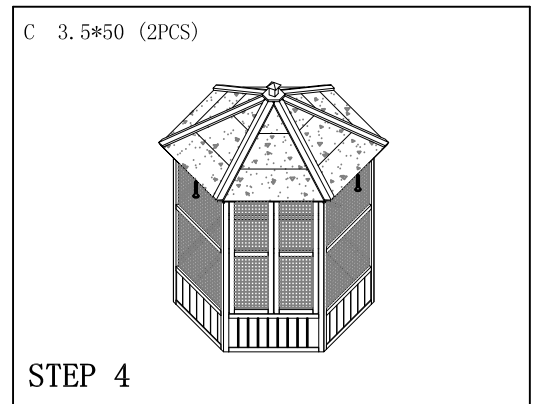
- A 3.5*30 (8PCS)



- A 3.5*30 (8PCS)



- C 3.5*50 (2PCS)



- C 3.5*50 (3PCS)

