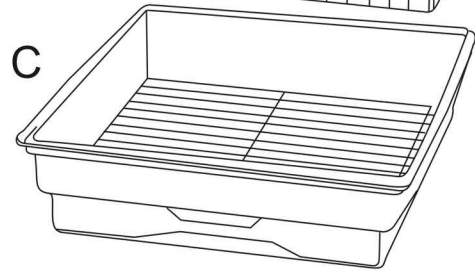
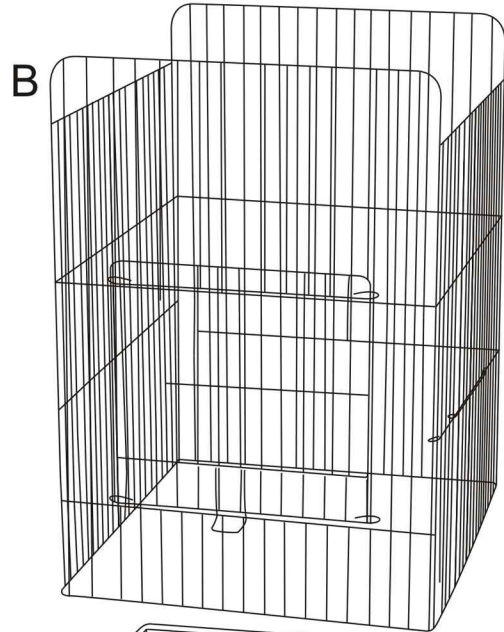
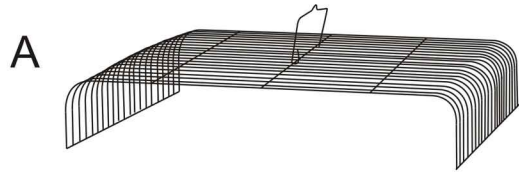


PawHut Assembly Instructions

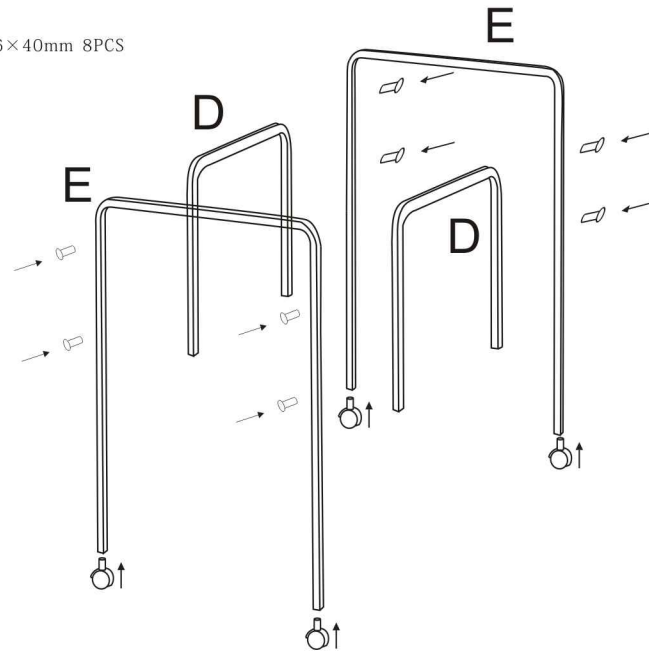


 2 PCS

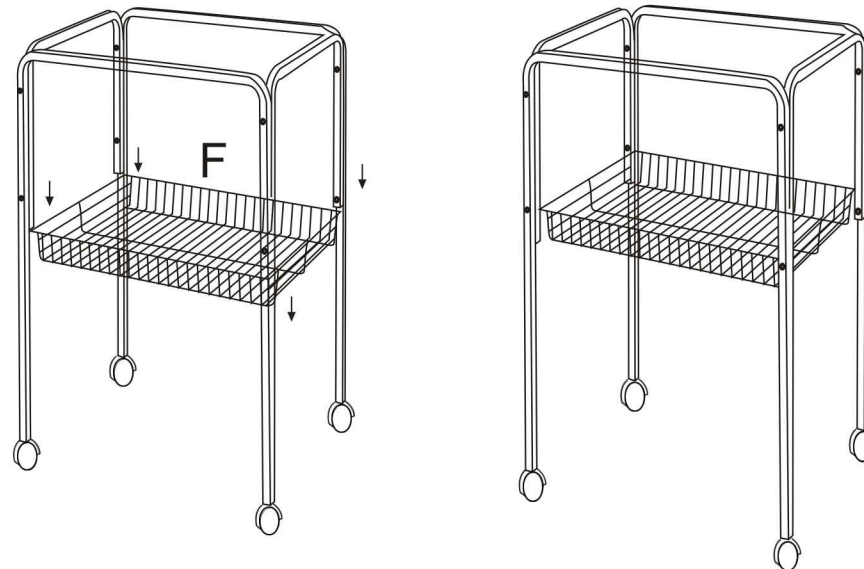
 2 PCS

STEP 1

 M6×40mm 8PCS



STEP 2



STEP 3

