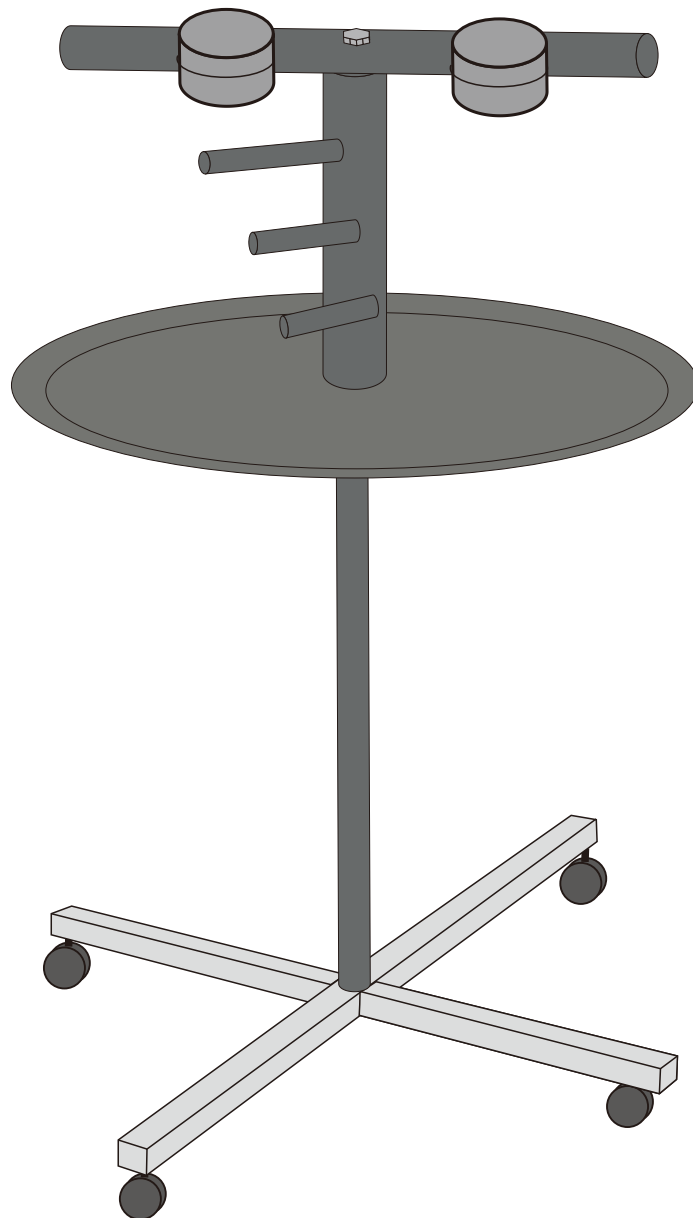


PawHut

INdib007_GL

D10-069



IMPORTANT, RETAIN FOR FUTURE REFERENCE: READ CAREFULLY

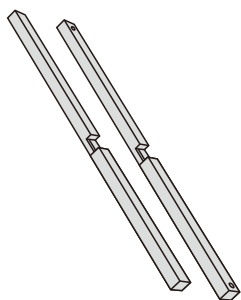
ASSEMBLY & INSTRUCTION MANUAL

PARTS

A x 4



B x 2



C x 1



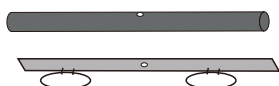
D x 1



E x 1



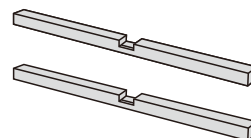
F x 1



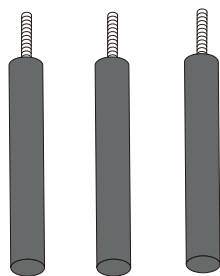
I x 2



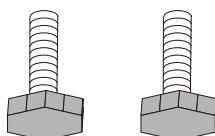
K x 2



G x 3

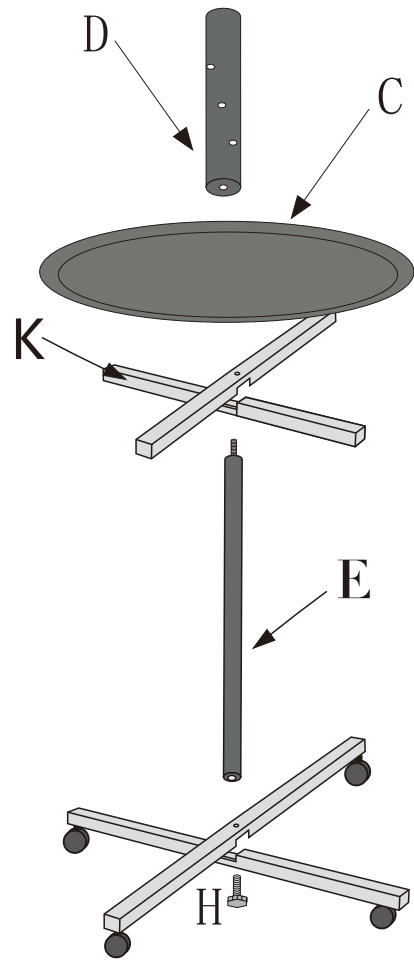
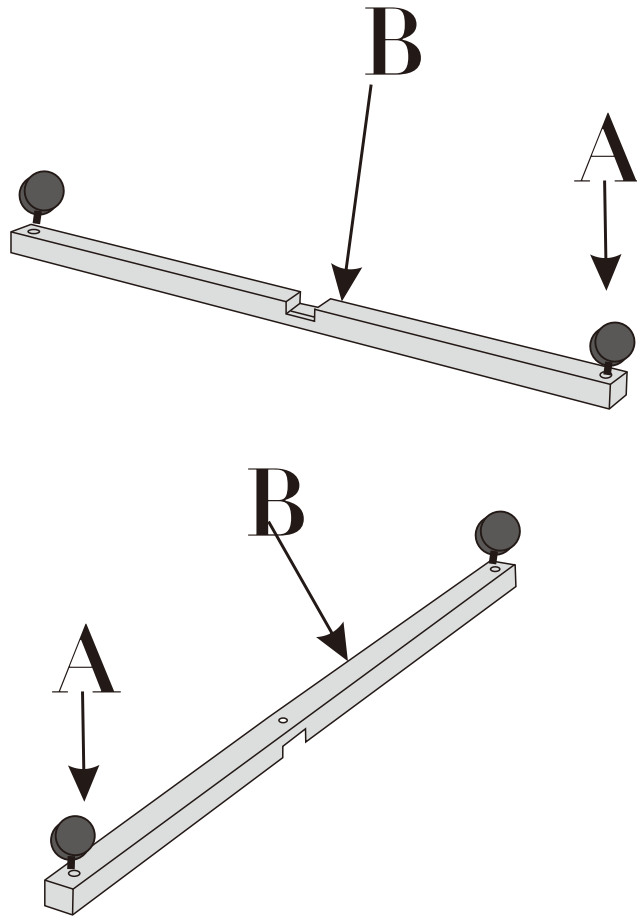


H x 2



J x 3





H 

F

