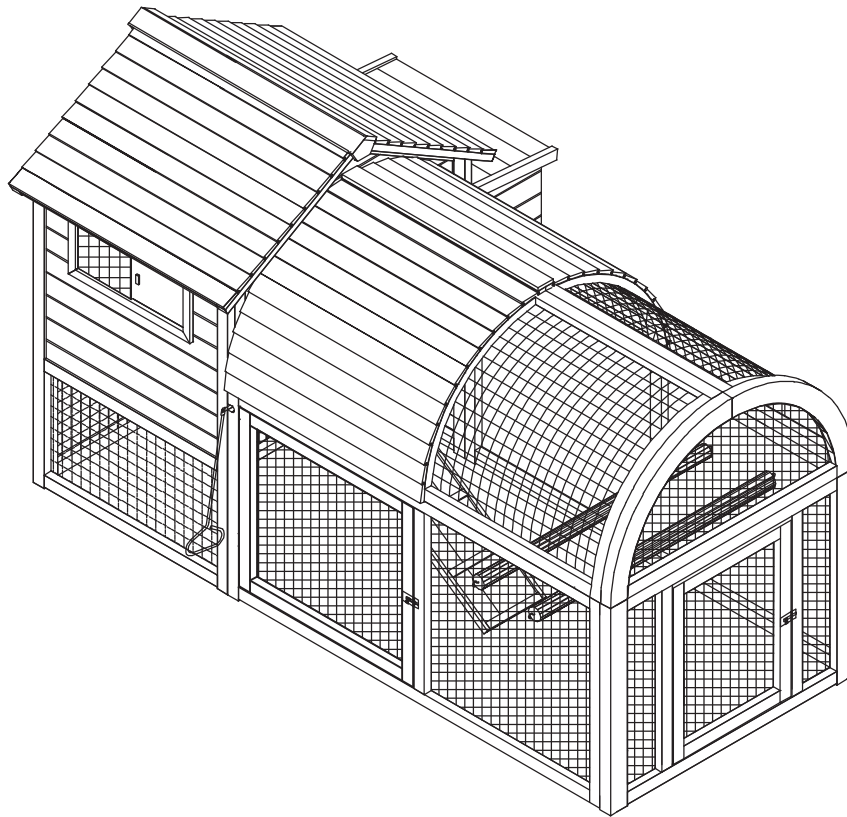


PawHut®

INdjb006V01_GL

D51-172

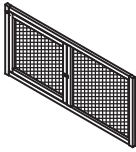
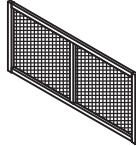
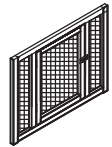
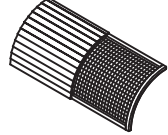



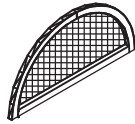




READ AND SAVE THIS INSTRUCTIONS FOR FUTURE USE


ASSEMBLY & INSTRUCTION MANUAL

PACKING DETAILS: TOTAL 2 BOXES



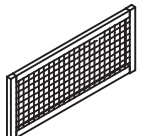

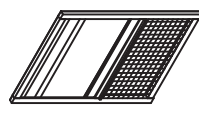
BOX-1/2

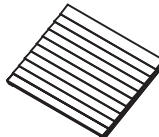
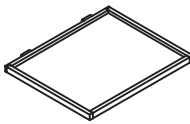


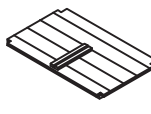
NO.	PARTS	QTY
7		1
8		1
9		1
10		1
11		1

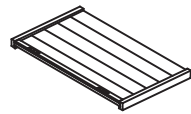
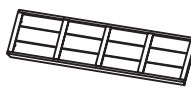

NO.	PARTS	QTY
13		1
15		1
16		1
22		1
23		1

NO.	PARTS	QTY
24		2

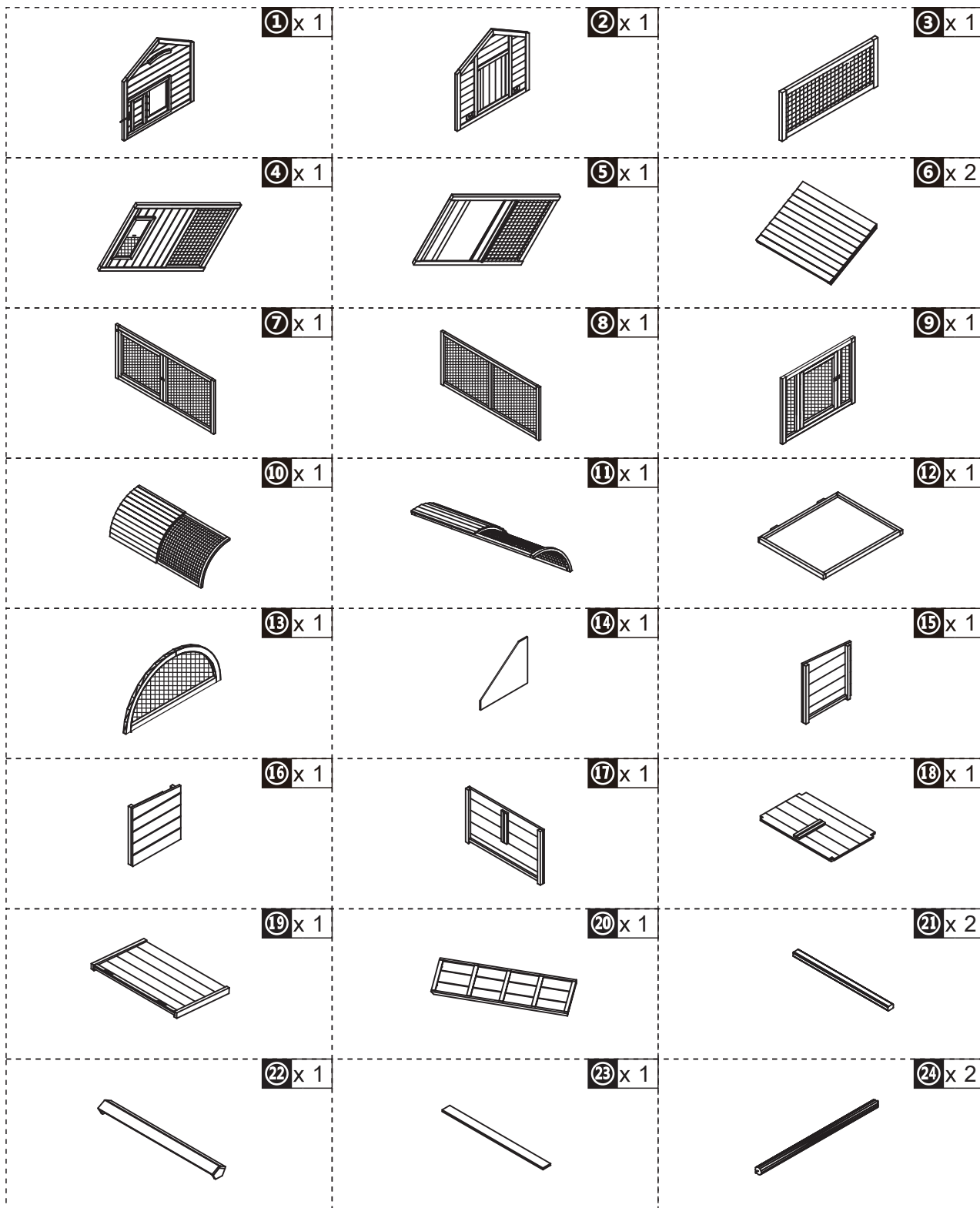
BOX-2/2

NO.	PARTS	QTY
1		1
2		1
3		1
4		1
5		1

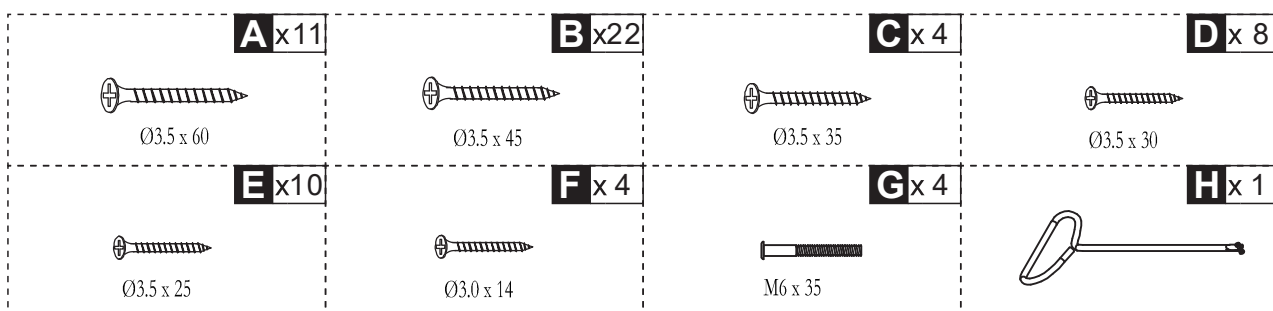
NO.	PARTS	QTY
6		2
12		1
14		1
17		1
18		1

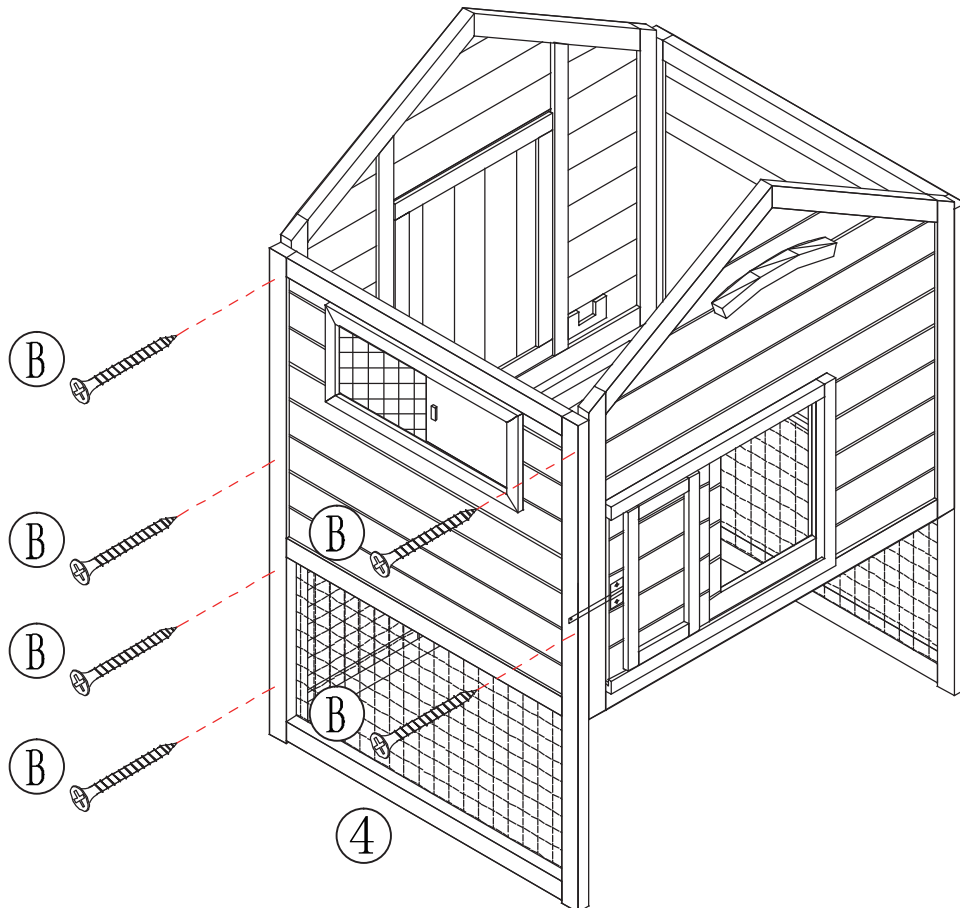
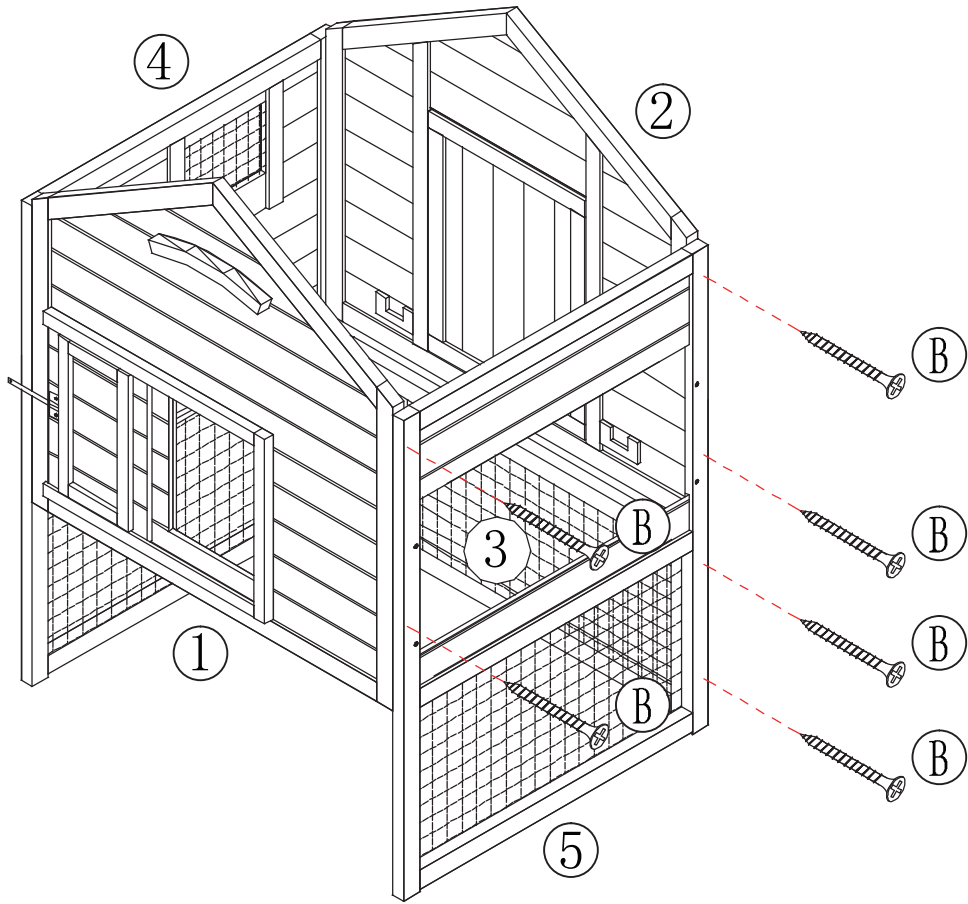
NO.	PARTS	QTY
19		1
20		1
21		2

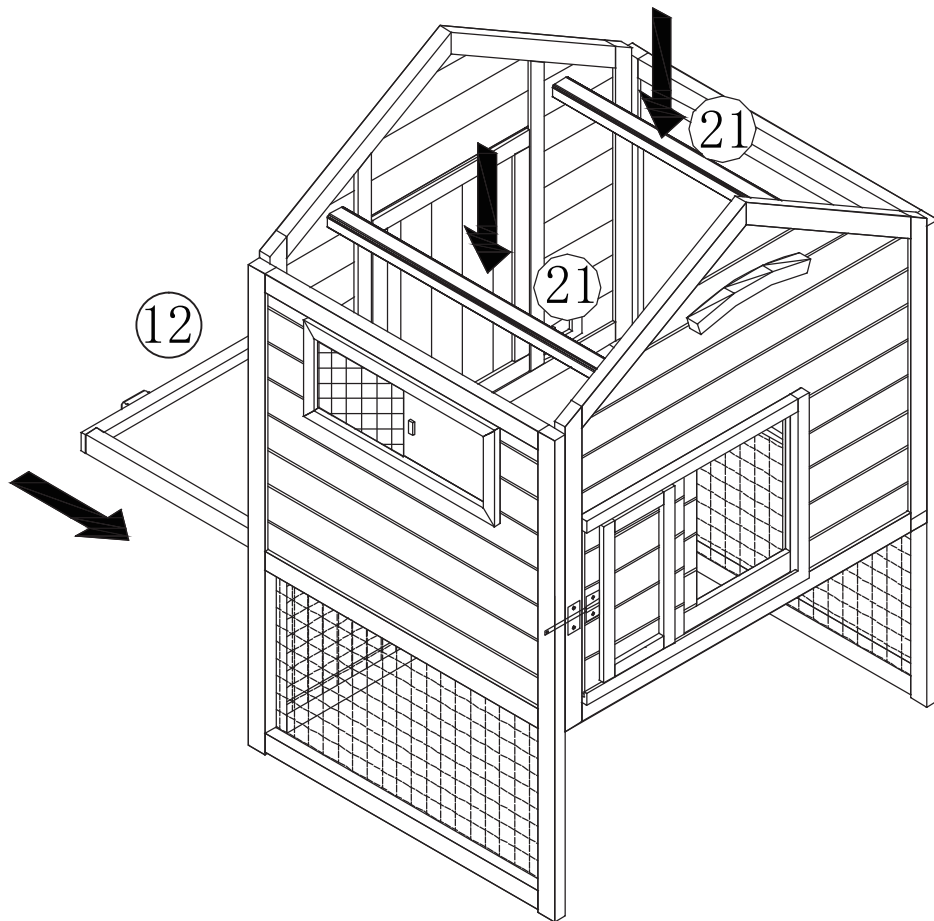
PARTS



HARDWARE

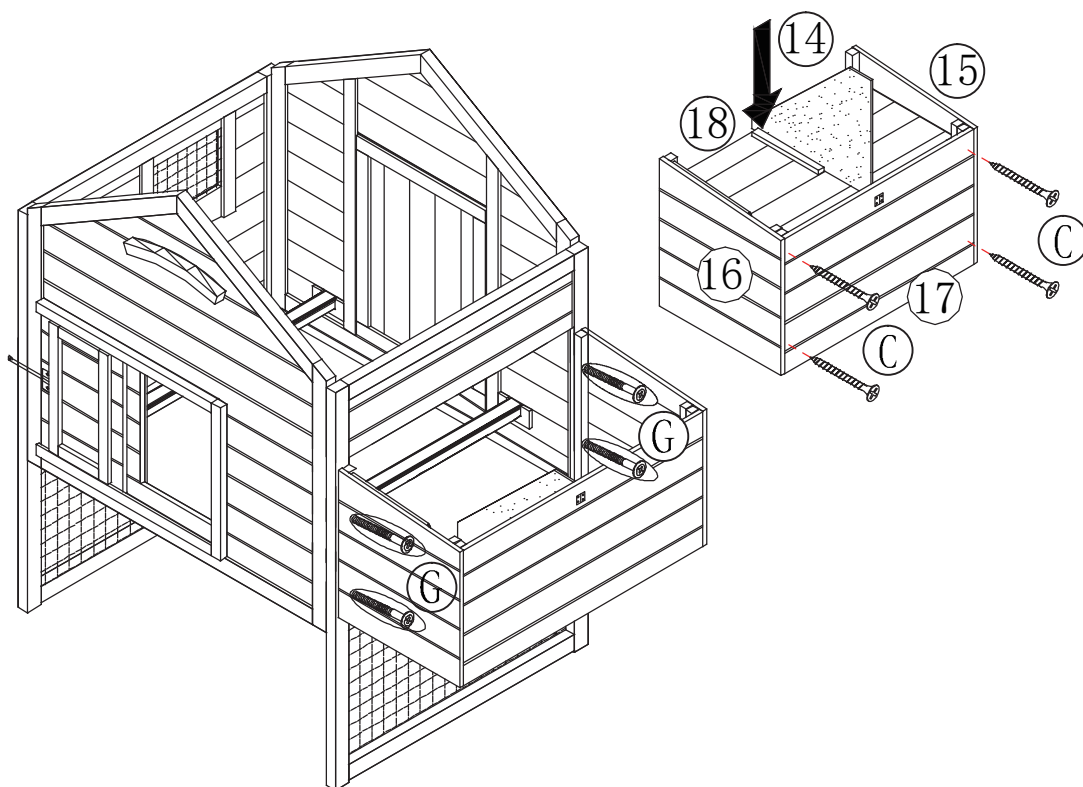






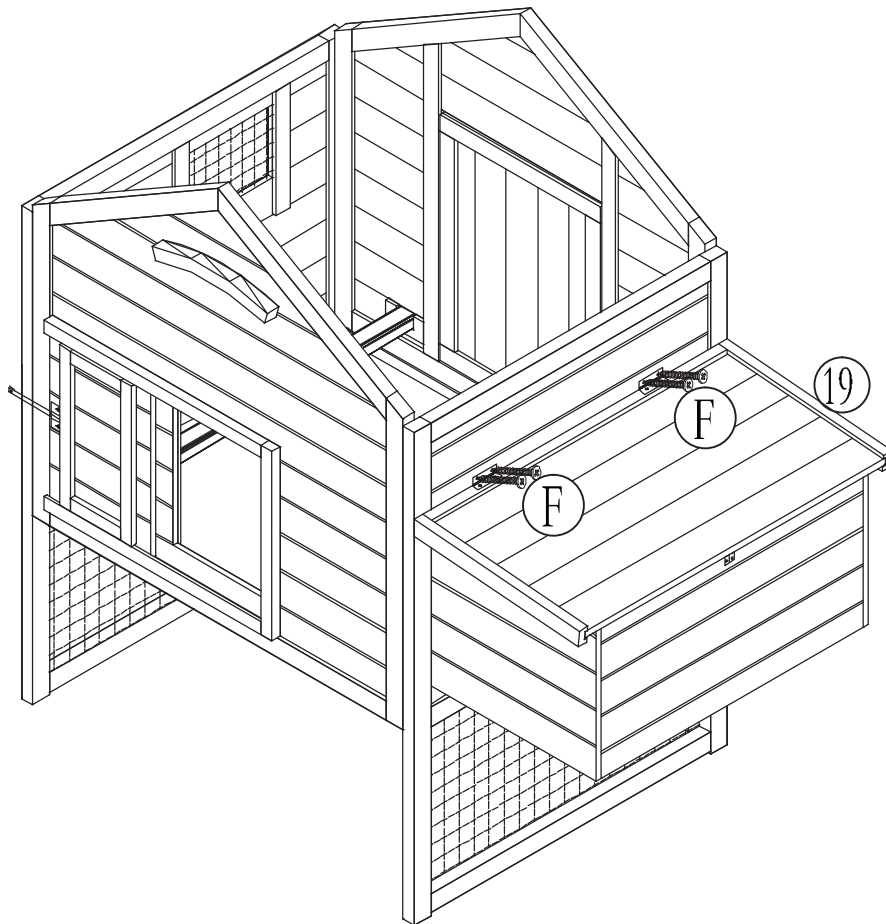
C x 4

G x 4



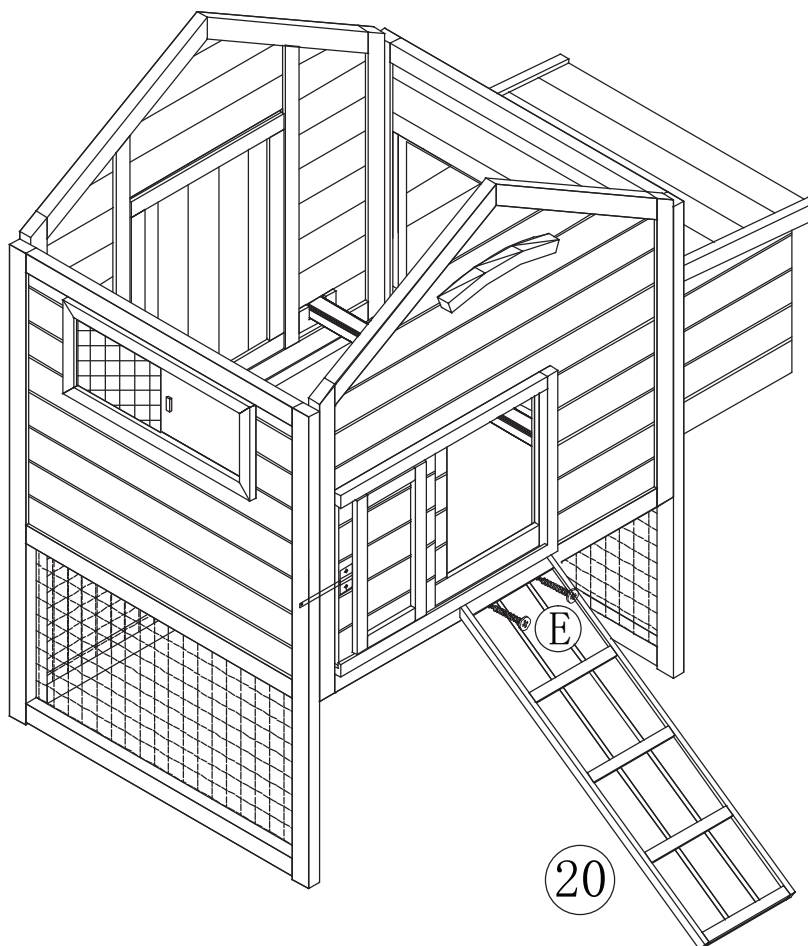
F x 4

05



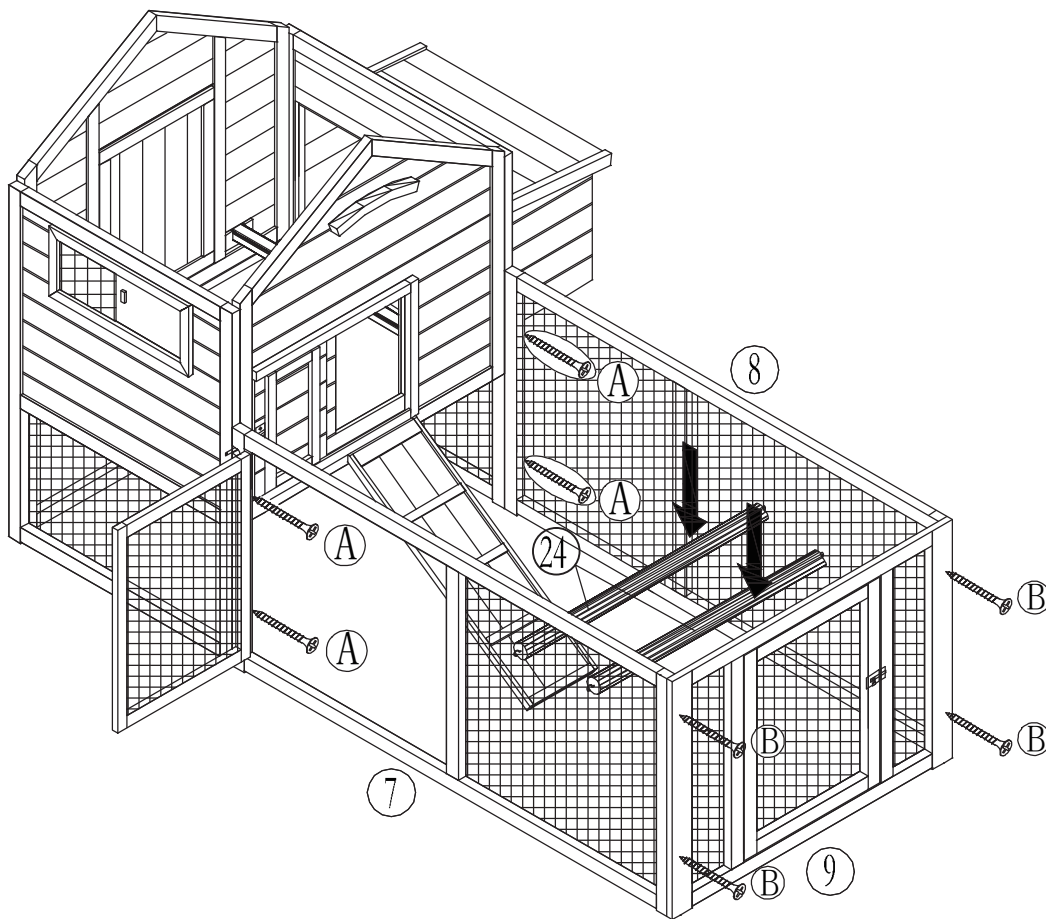
E x 2

06



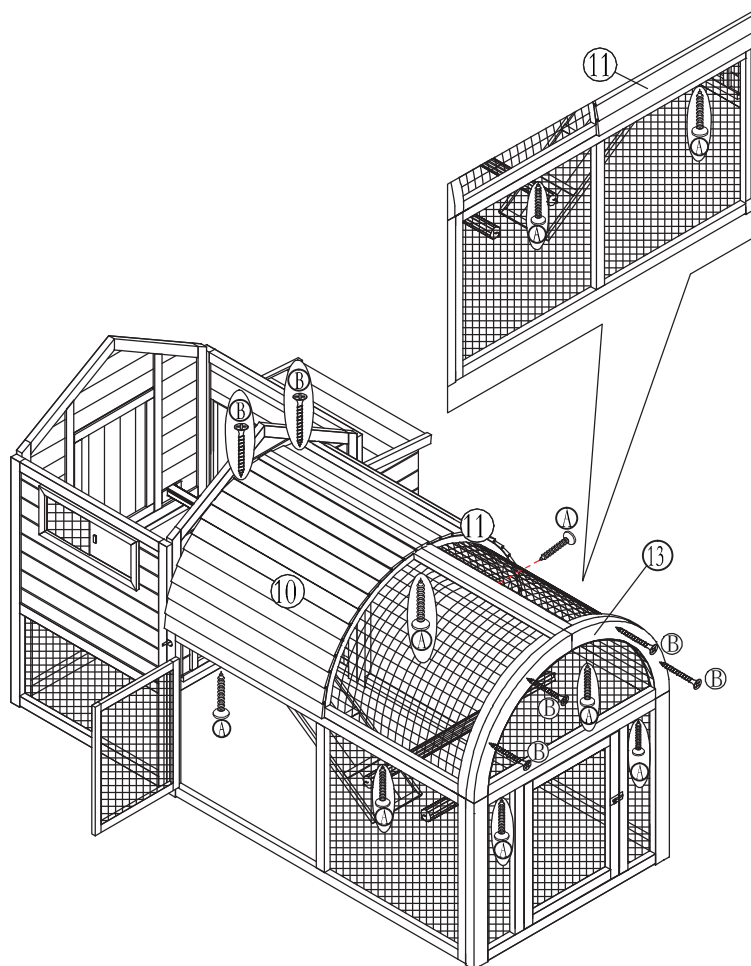
A x 4

B x 4



A x 7

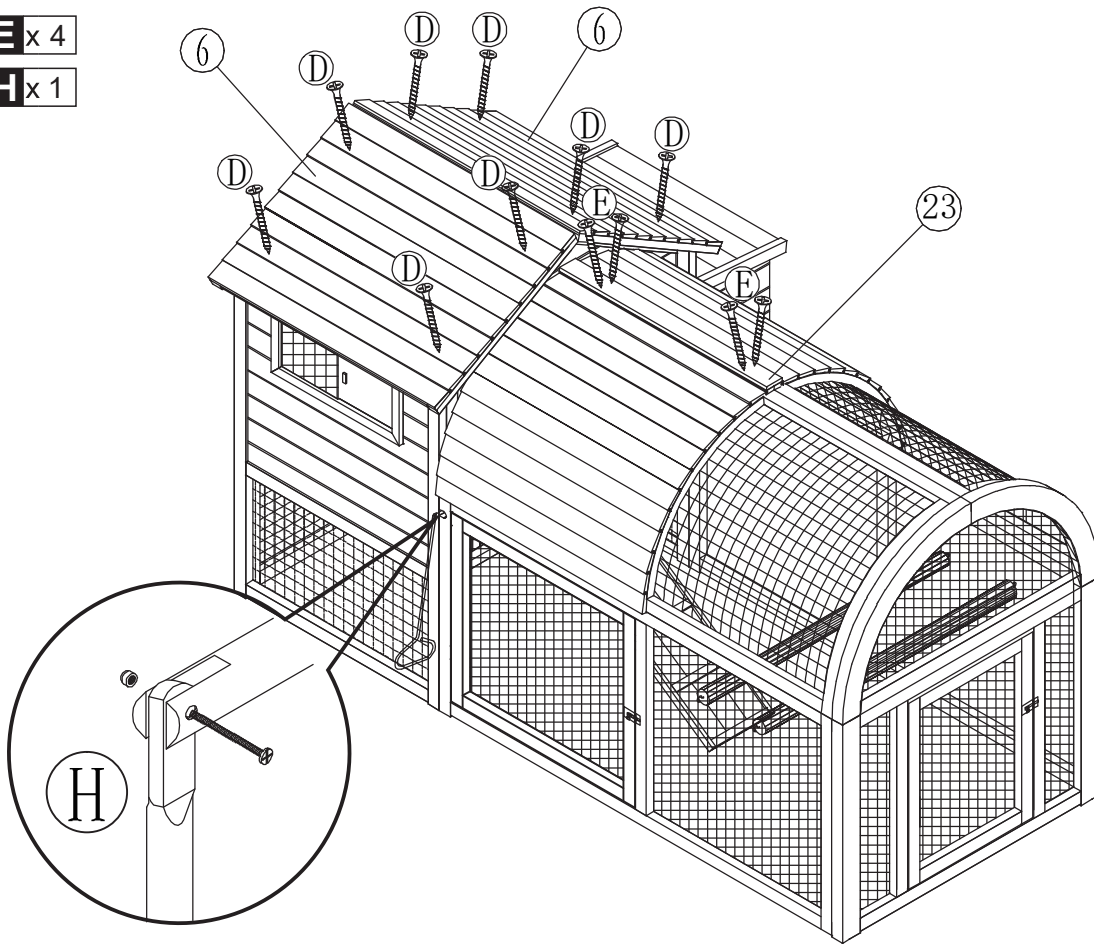
B x 6



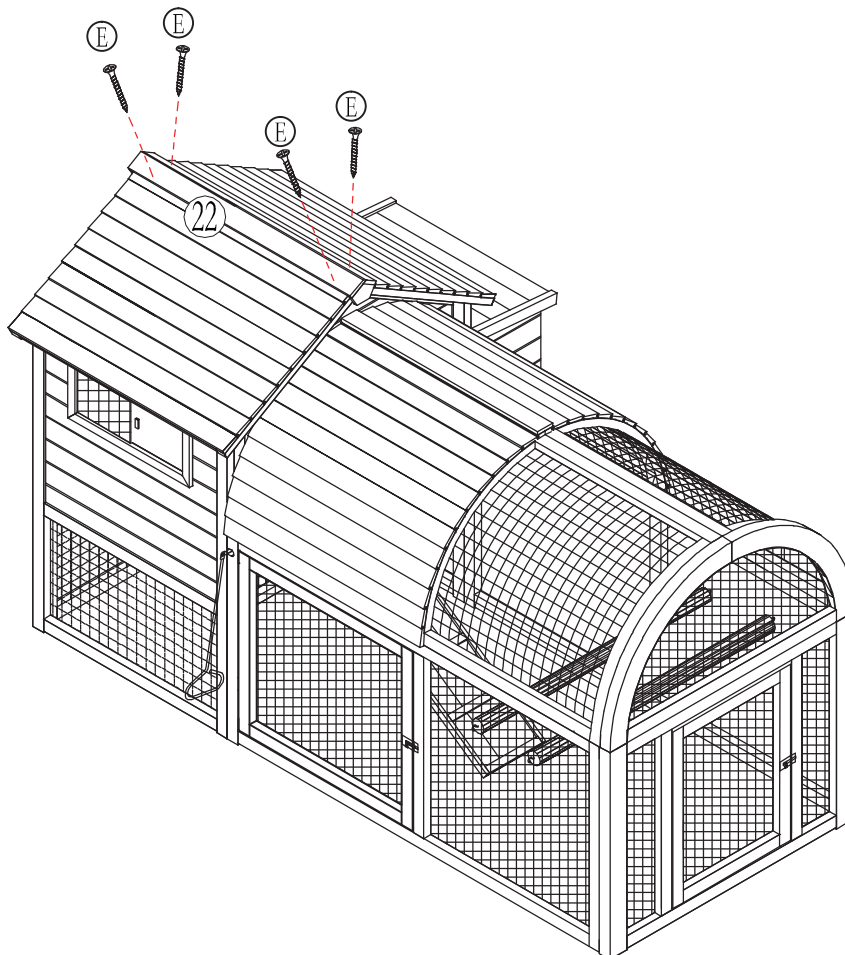
D x 8

E x 4

H x 1



E x 4



US



001-877-644-9366
customerservice@aosom.com

CA



001-855-537-6088
customerservice@aosom.ca

UK



0044-800-240-4004
enquiries@mhstar.co.uk

DE



0049-(0)40-88307530
service@aosom.de

FR



0033-1-84166106
contact@aosom.fr

ES



0034-931294512
atencioncliente@aosom.es

IT



0039-0249471447
clienti@aosom.it