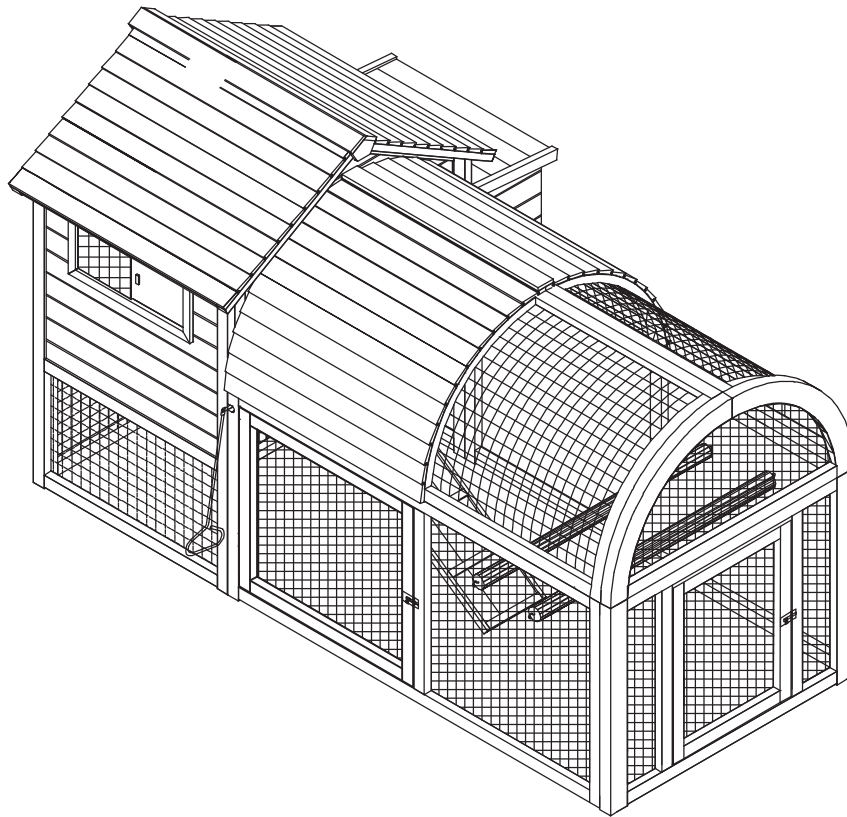


# PawHut!

INdjb006\_GL

**D51-172**

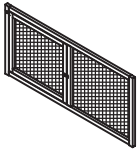
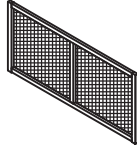
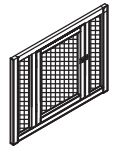
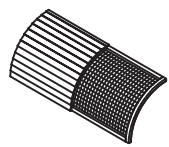



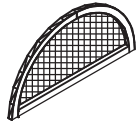




READ AND SAVE THIS INSTRUCTIONS FOR FUTURE USE


## ASSEMBLY & INSTRUCTION MANUAL

# PACKING DETAILS: TOTAL 2 BOXES



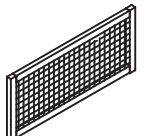
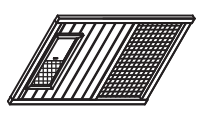
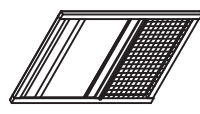
## BOX-1/2

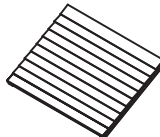
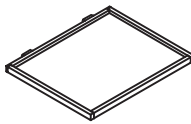


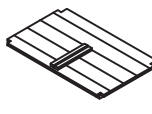
NO.	PARTS	QTY
⑦		1
⑧		1
⑨		1
⑩		1
⑪		1

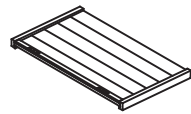
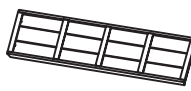

NO.	PARTS	QTY
⑬		1
⑮		1
⑯		1
⑳		1
㉓		1

NO.	PARTS	QTY
㉔		2

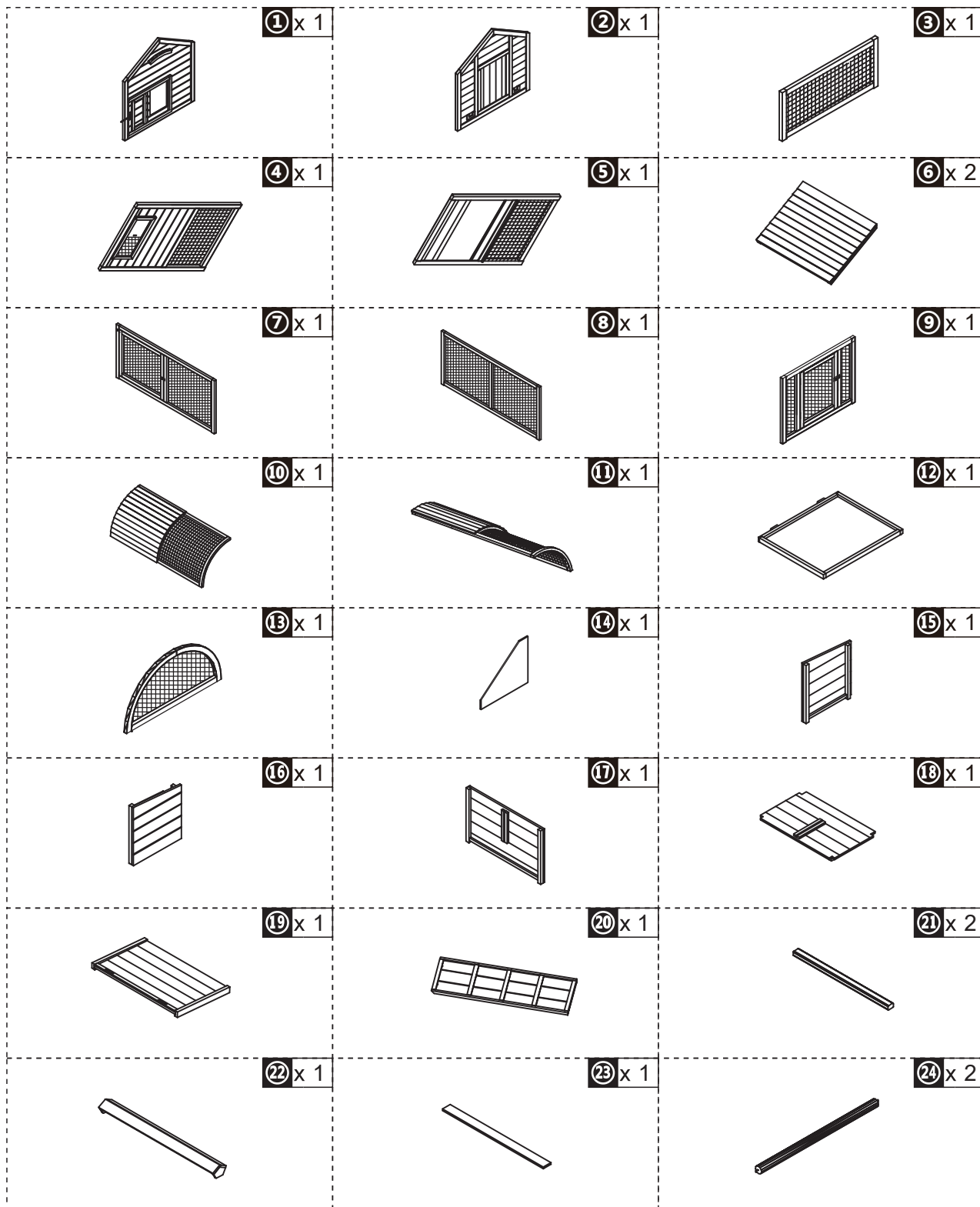
## BOX-2/2

NO.	PARTS	QTY
①		1
②		1
③		1
④		1
⑤		1

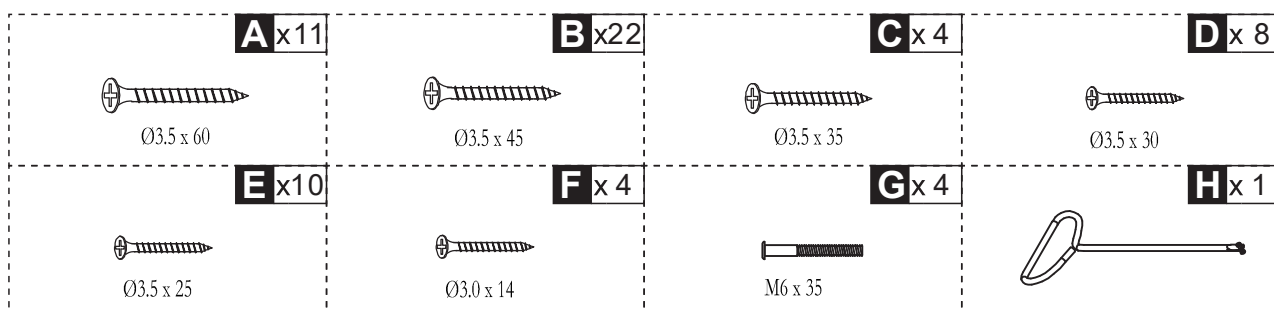
NO.	PARTS	QTY
⑥		2
⑫		1
⑭		1
⑰		1
⑱		1

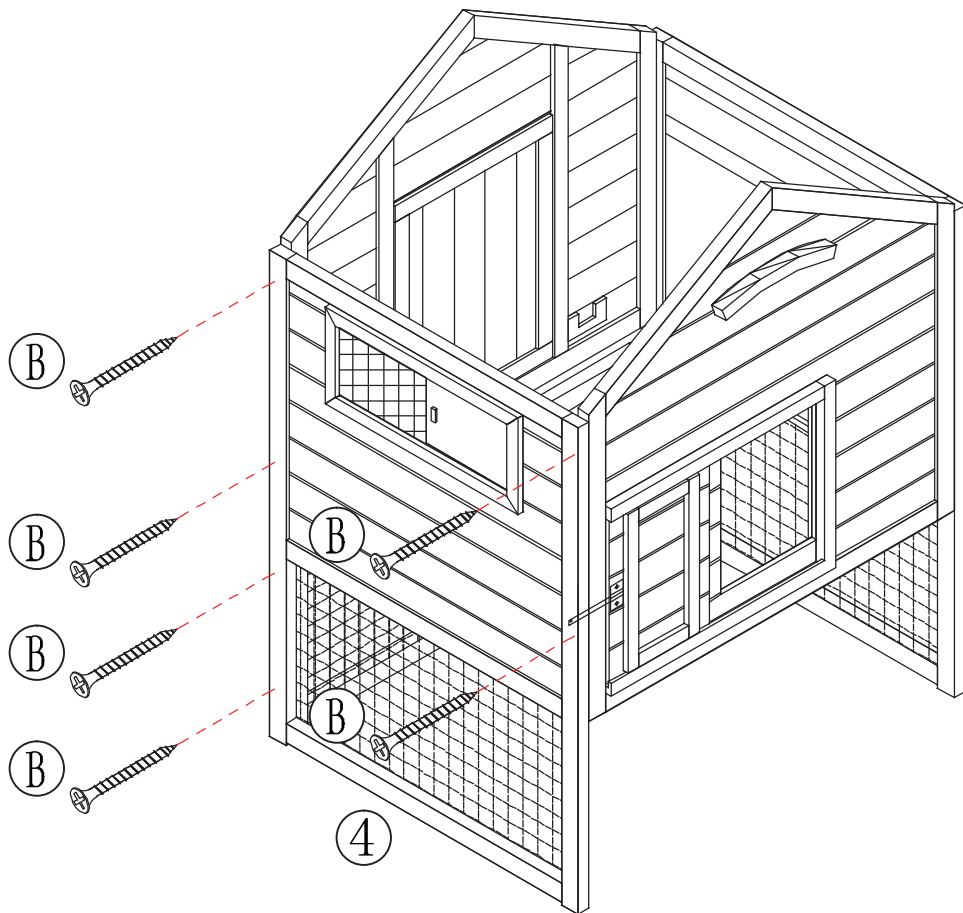
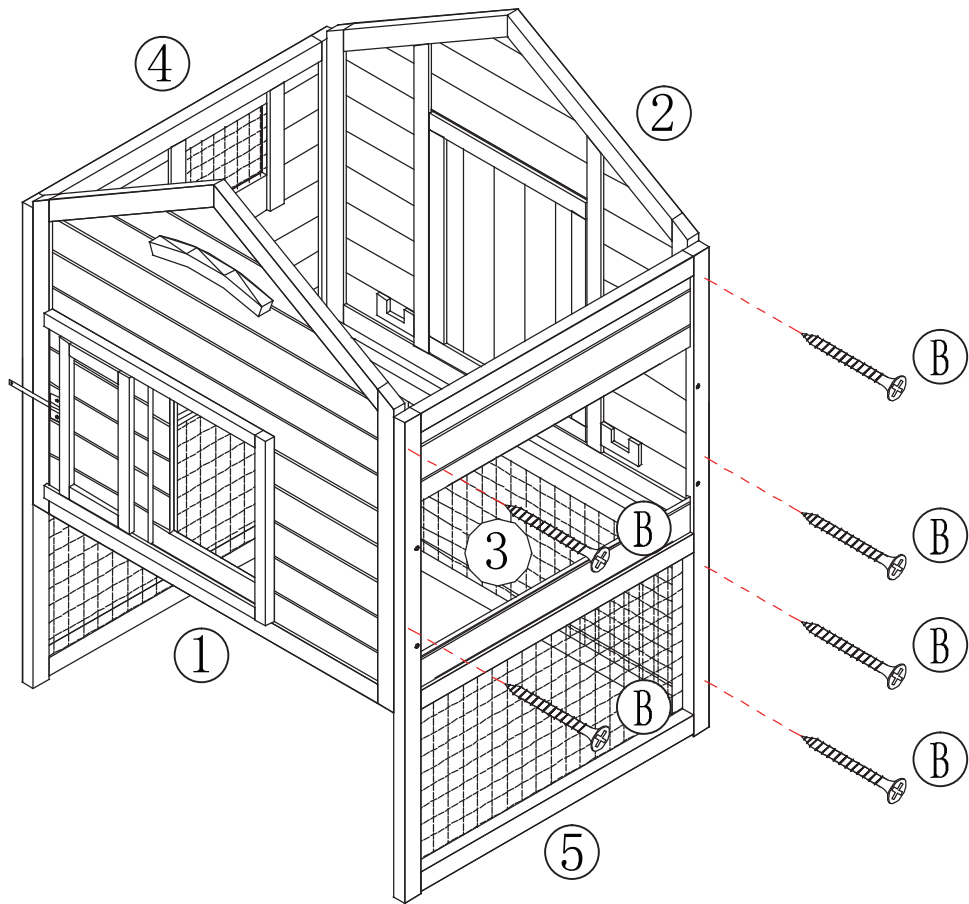
NO.	PARTS	QTY
⑲		1
⑳		1
㉑		2

**PARTS**



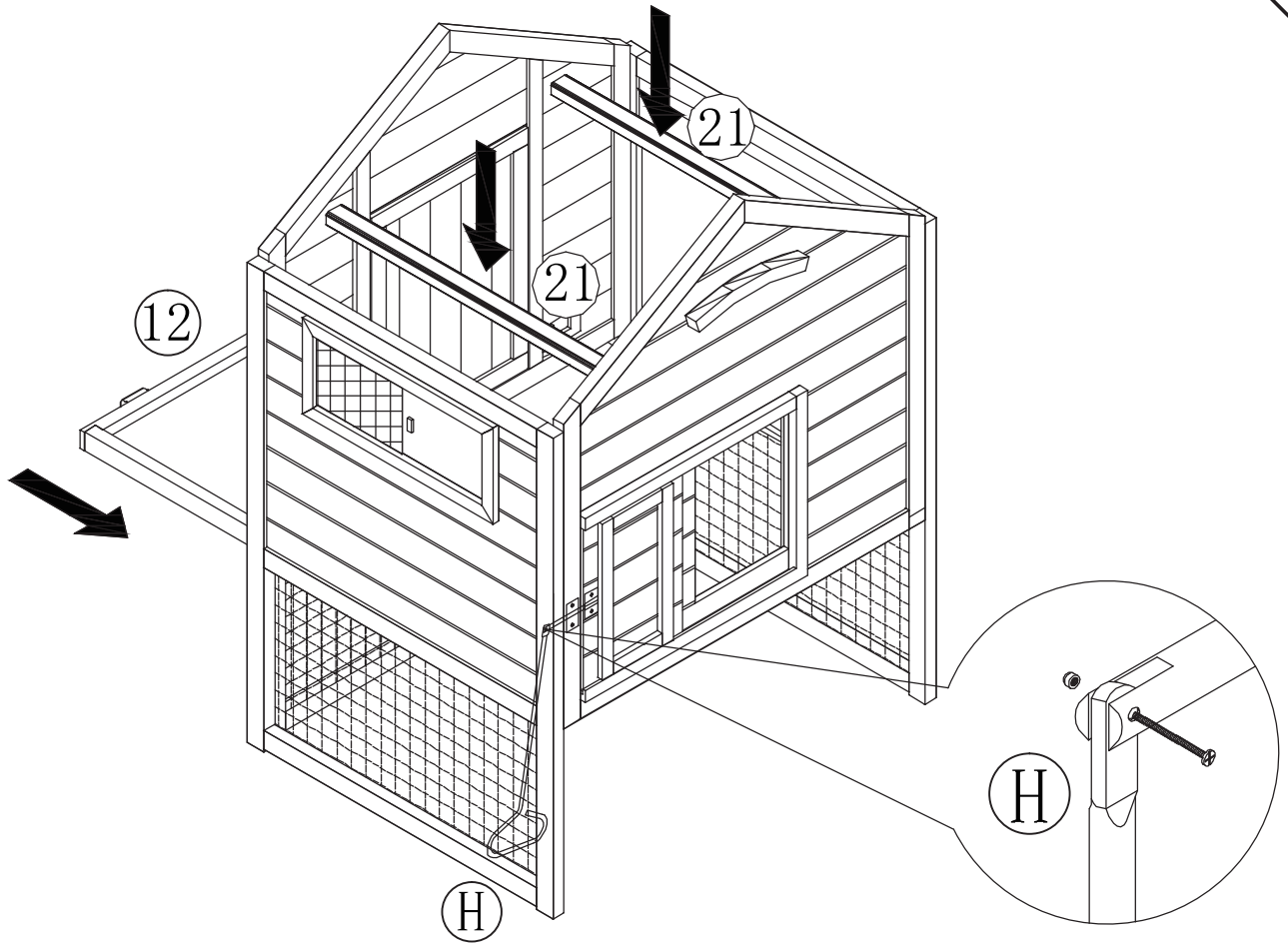
**HARDWARE**





H x 1

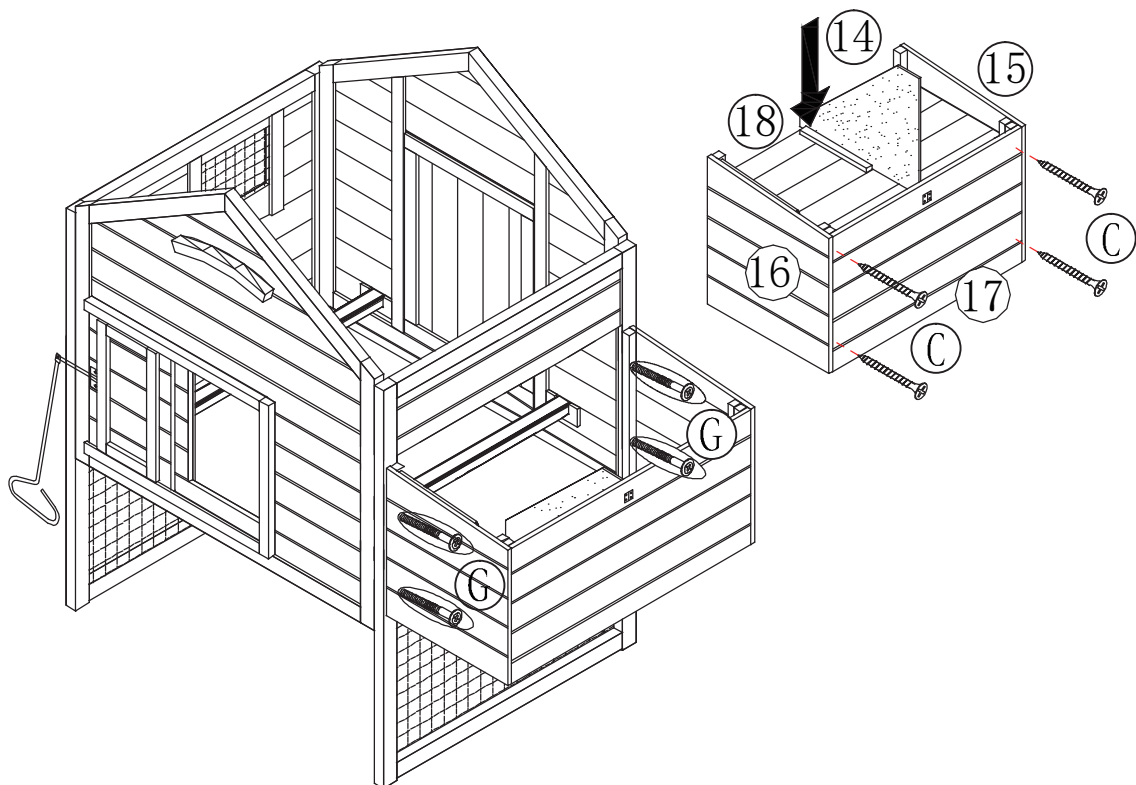
03



C x 4

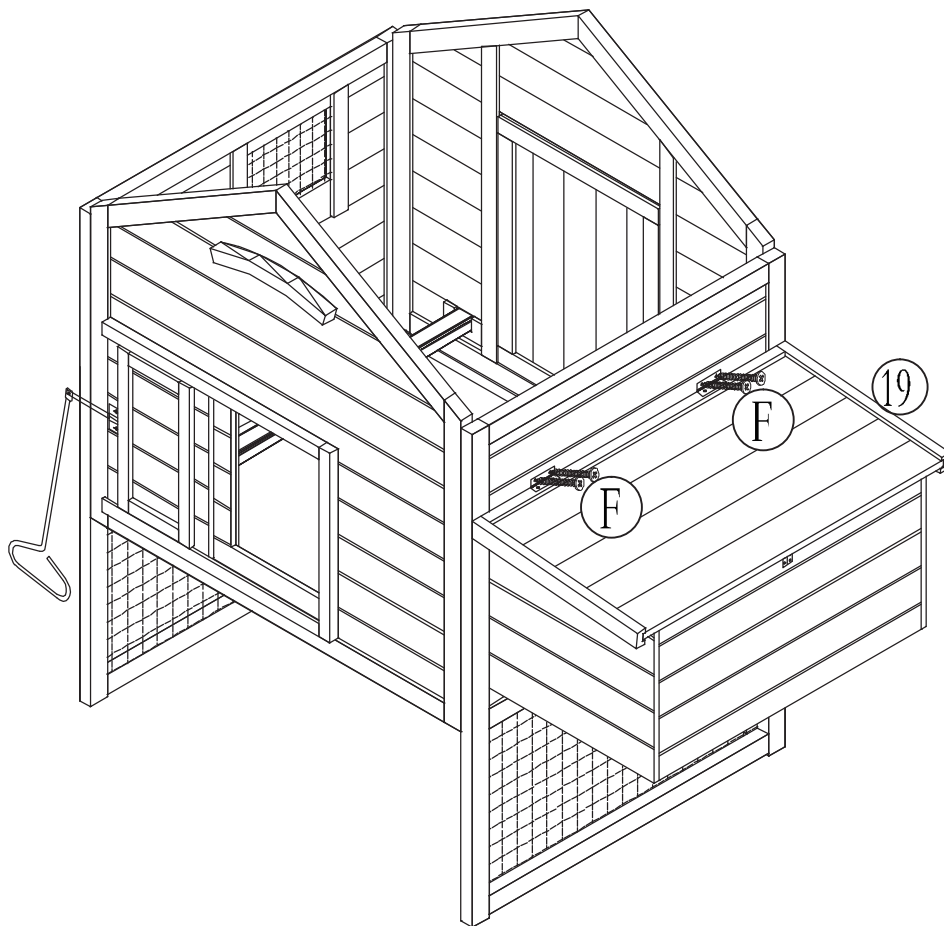
G x 4

04



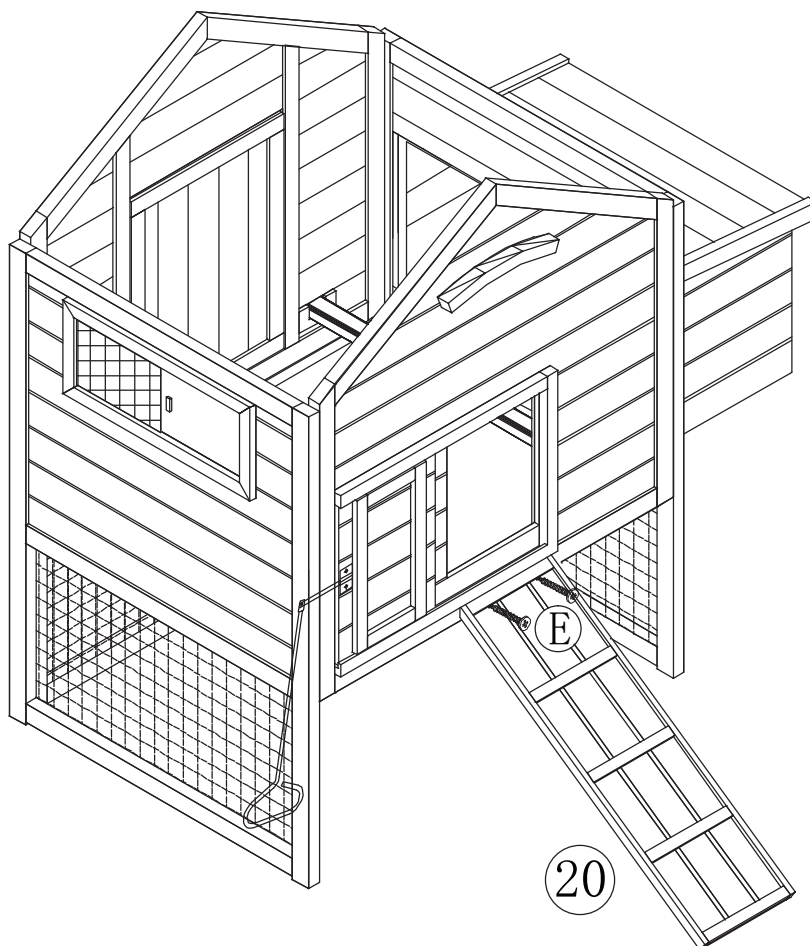
F x 4

05



E x 2

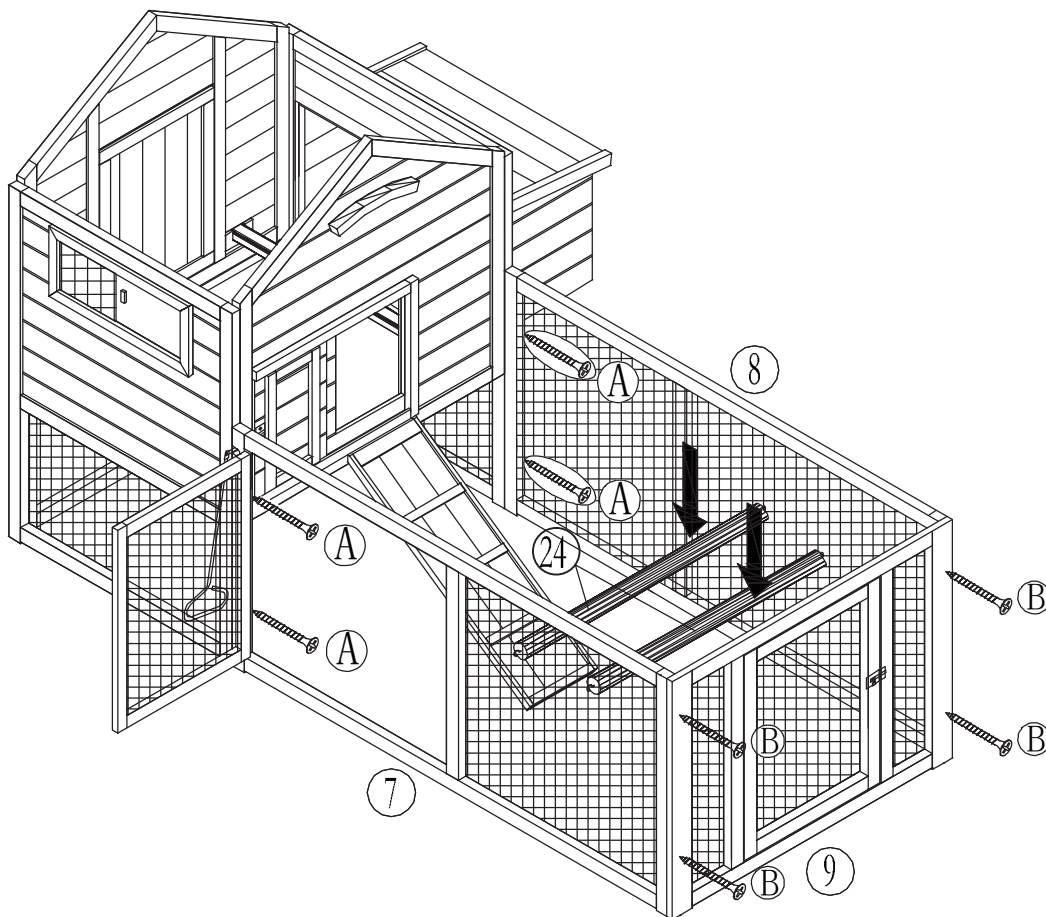
06





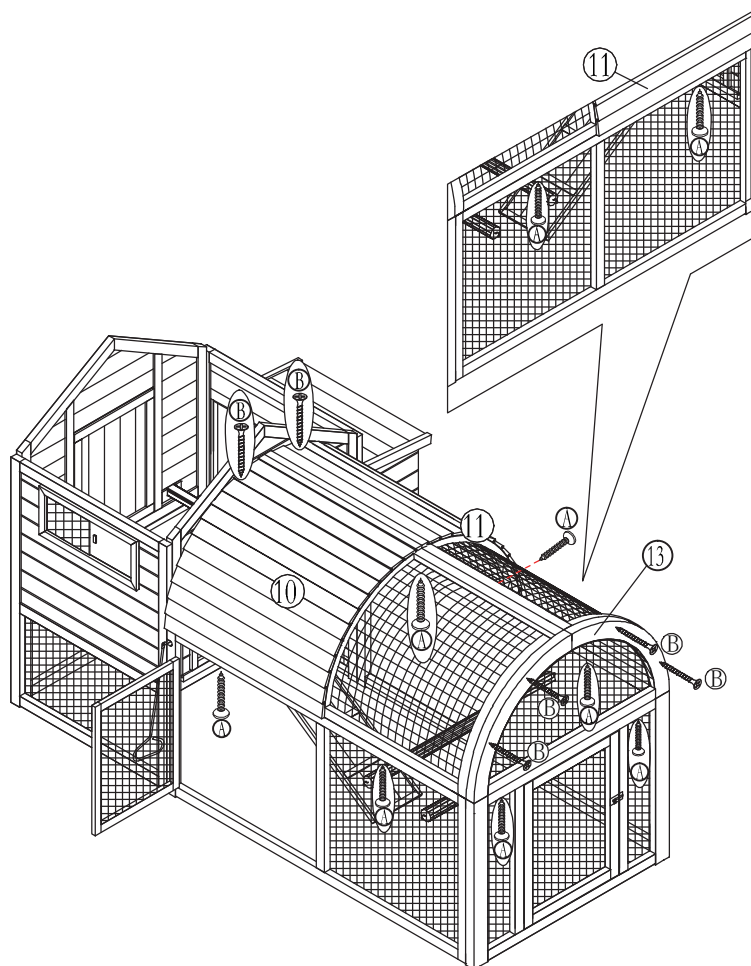
A x 4

B x 4



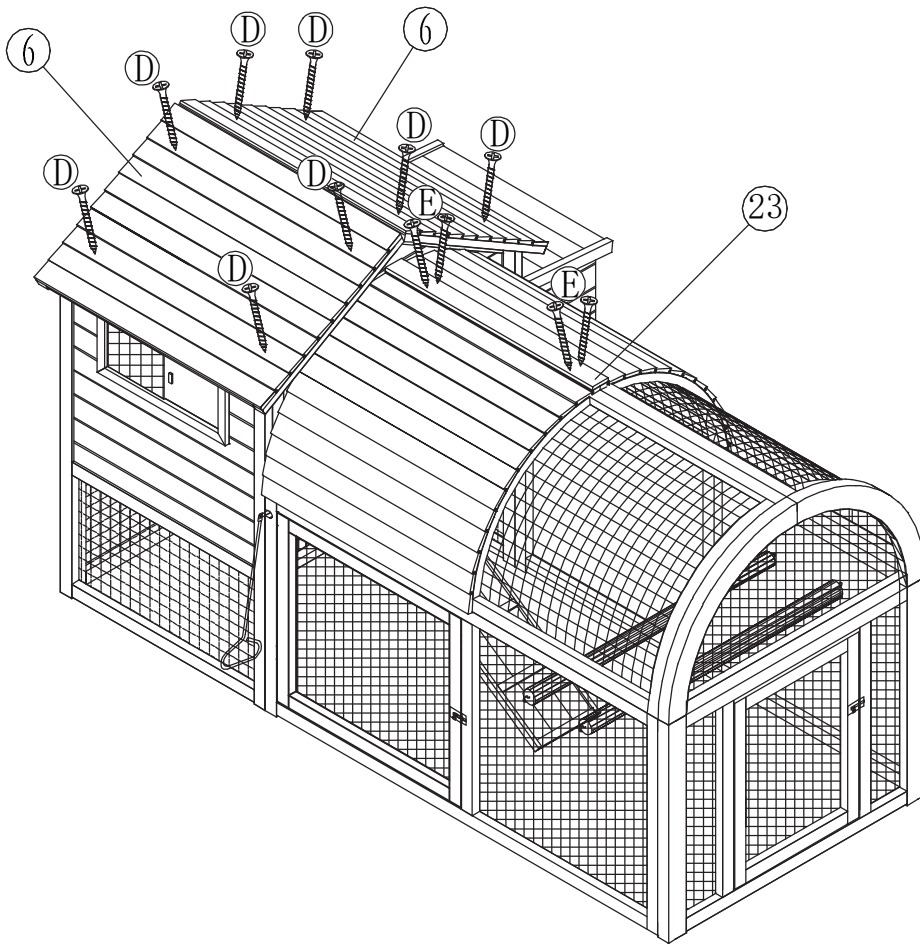
A x 7

B x 6

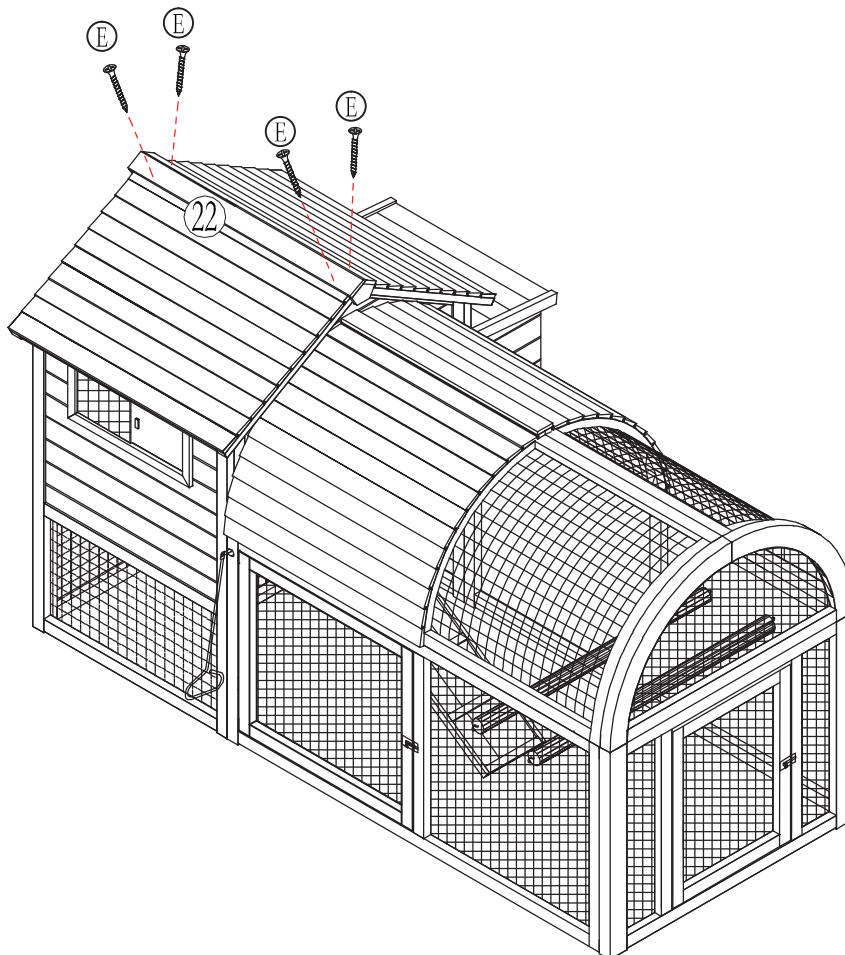


D x 8

E x 4



E x 4





US



001-877-644-9366  
customerservice@aosom.com

CA



001-855-537-6088  
customerservice@aosom.ca

UK



0044-800-240-4004  
enquiries@mhstar.co.uk

DE



0049-(0)40-88307530  
service@aosom.de

FR



0033-1-84166106  
contact@aosom.fr

ES



0034-931294512  
atencioncliente@aosom.es

IT



0039-0249471447  
clienti@aosom.it