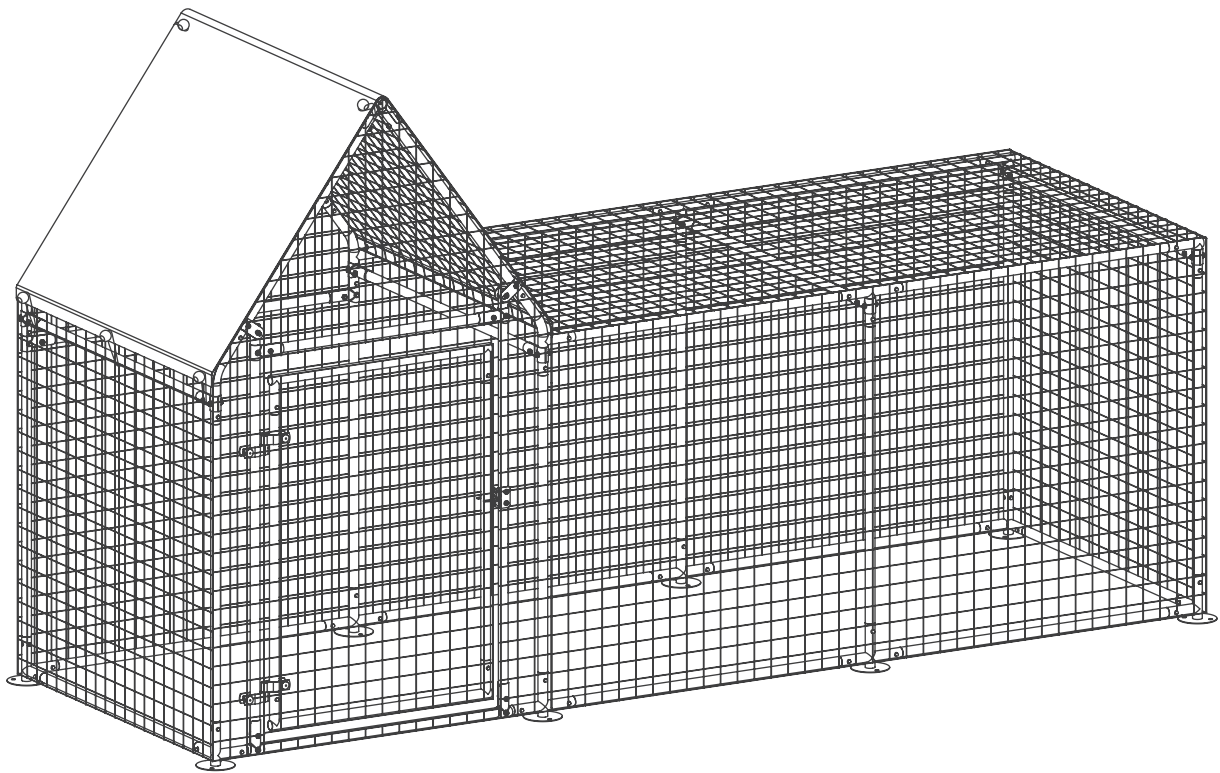


PawHut

INdjb016_GL

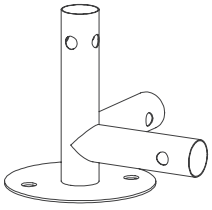
D51-272V01



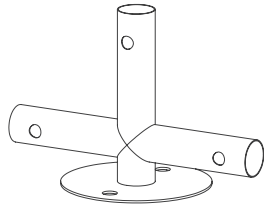
IMPORTANT, RETAIN FOR FUTURE REFERENCE: READ CAREFULLY

ASSEMBLY INSTRUCTION

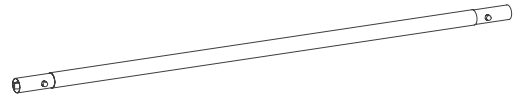
BEFORE ASSEMBLY



PART NO. **(A1)** x 4pcs



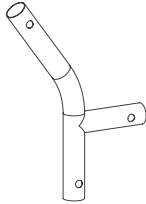
PART NO. **(B1)** x 4pcs



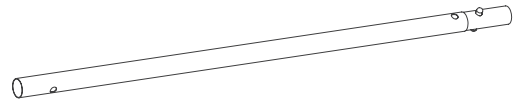
PART NO. **(1)** x 20pcs L:918mm



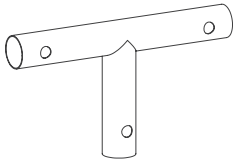
PART NO. **(C1)** x 2pcs



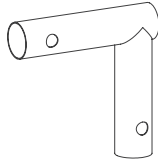
PART NO. **(D1)** x 2pcs



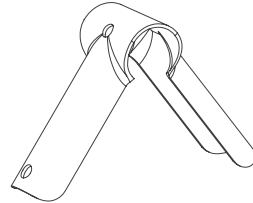
PART NO. **(3)** x 4pcs L:725mm



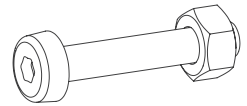
PART NO. **(E1)** x 2pcs



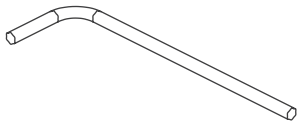
PART NO. **(F1)** x 2pcs



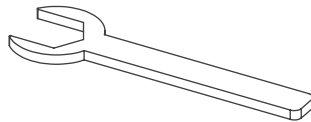
PART NO. **(G1)** x 2pcs



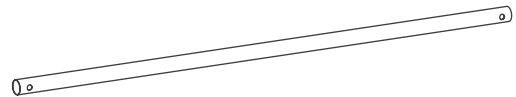
PART NO. **(T1)** x 28pcs
M6x35mm M6



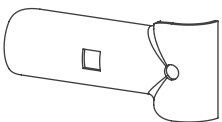
PART NO. **(Y1)** x 1pc



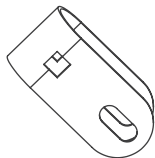
PART NO. **(Z1)** x 1pc



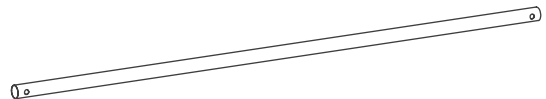
PART NO. **(2)** x 5pcs L:930mm



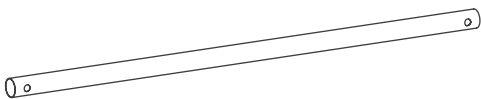
PART NO. **(H1)** x 28pcs



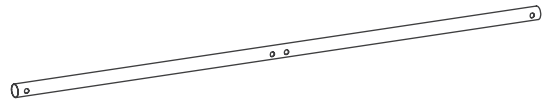
PART NO. **(I1)** x 2pcs



PART NO. **(6)** x 1pc L:1105mm

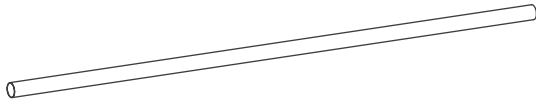


PART NO. **(5)** x 1pc L:692.5mm

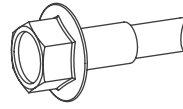


PART NO. **(7)** x 1pc L:1105mm

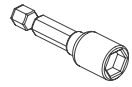
BEFORE ASSEMBLY



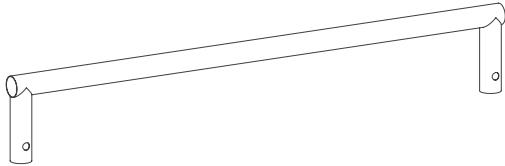
PART NO. **(4)** x 1pc L:1000mm



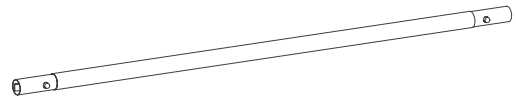
PART NO. **(U₁)** x 34pcs



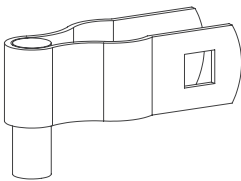
PART NO. **(X₁)** x 1pc



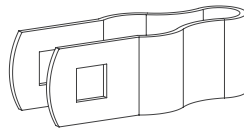
PART NO. **(9)** x 2pcs



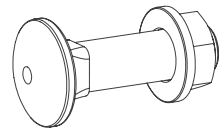
PART NO. **(8)** x 2pcs L:865mm



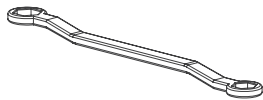
PART NO. **(J₁)** x 2pcs



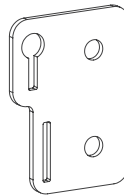
PART NO. **(K₁)** x 2pcs



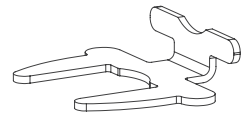
PART NO. **(V₁)** x 4pcs
M10x50mm M10



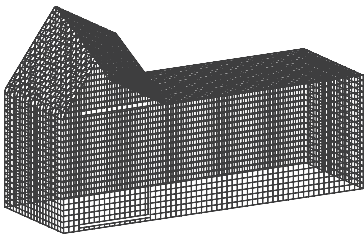
PART NO. **(W₁)** x 1pc



PART NO. **(L₁)** x 2pcs



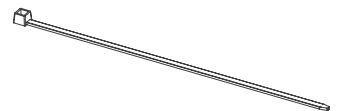
PART NO. **(M₁)** x 1pcs



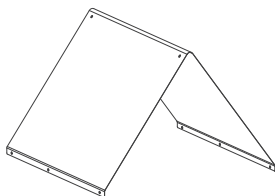
PART NO. **(S₁)** x 1pc



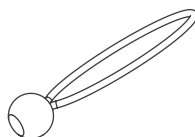
PART NO. **(N₁)**



PART NO. **(Q₁)**



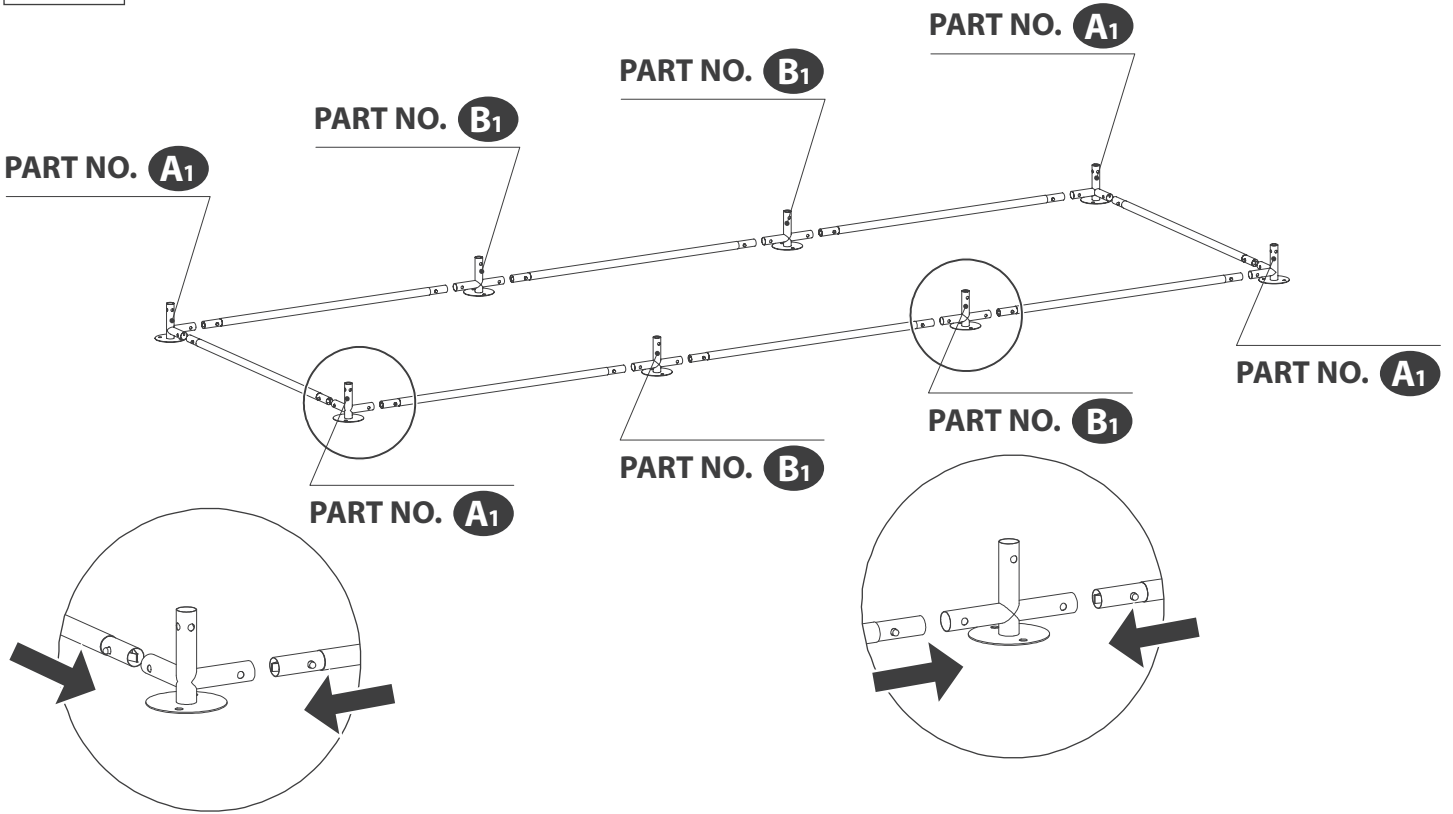
PART NO. **(P₁)** x 1pc



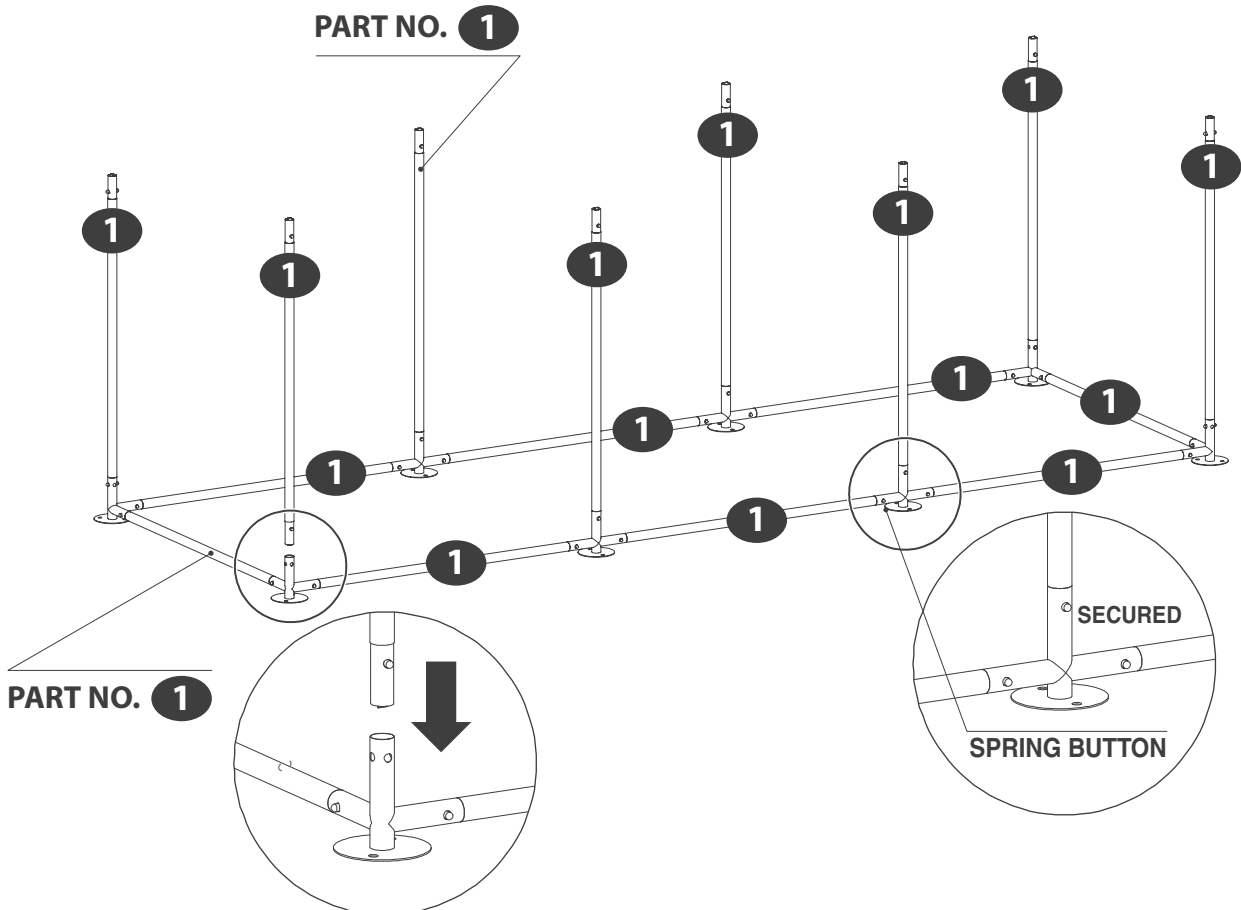
PART NO. **(R₁)** x 8pcs

ASSEMBLING YOUR CHICKEN RUN COOP

STEP 1

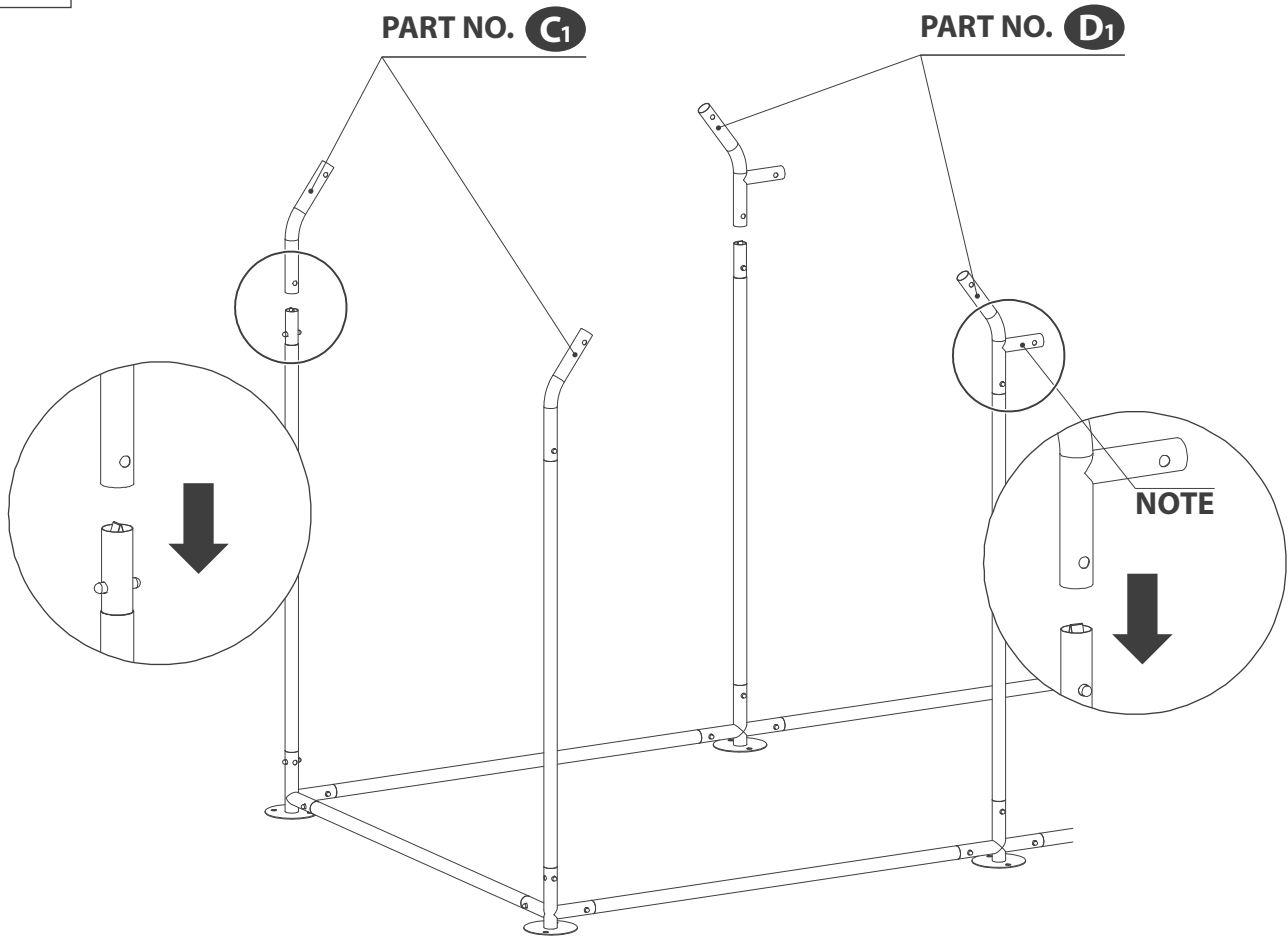


STEP 2

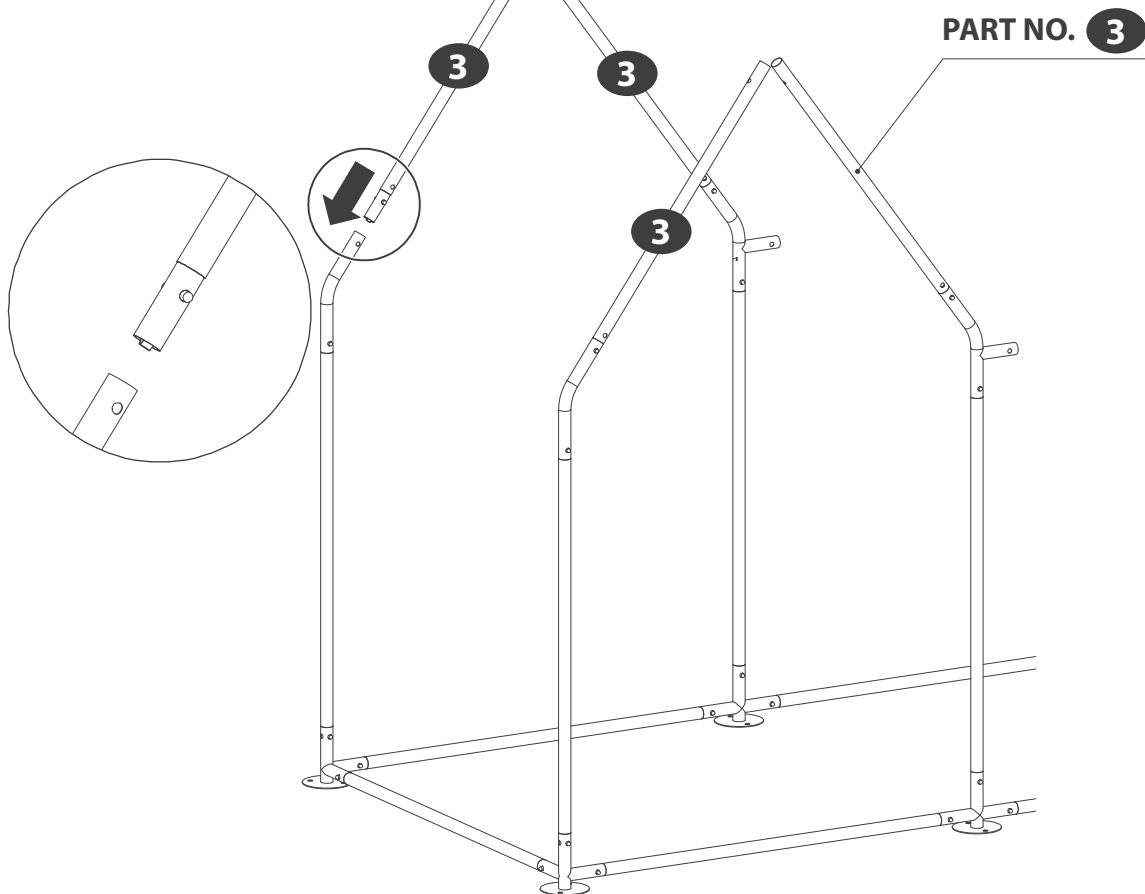


ASSEMBLING YOUR CHICKEN RUN COOP

STEP 3

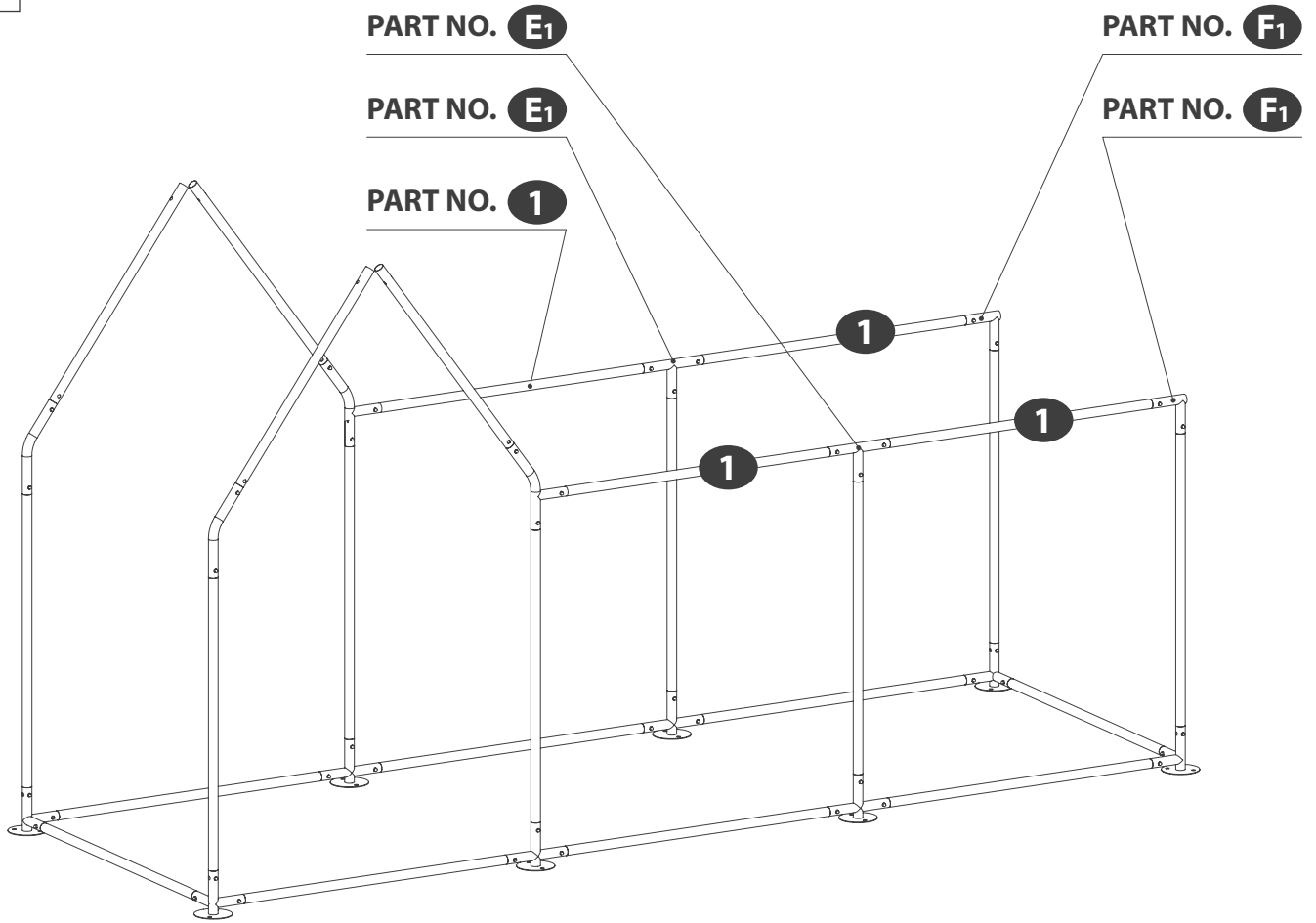


STEP 4

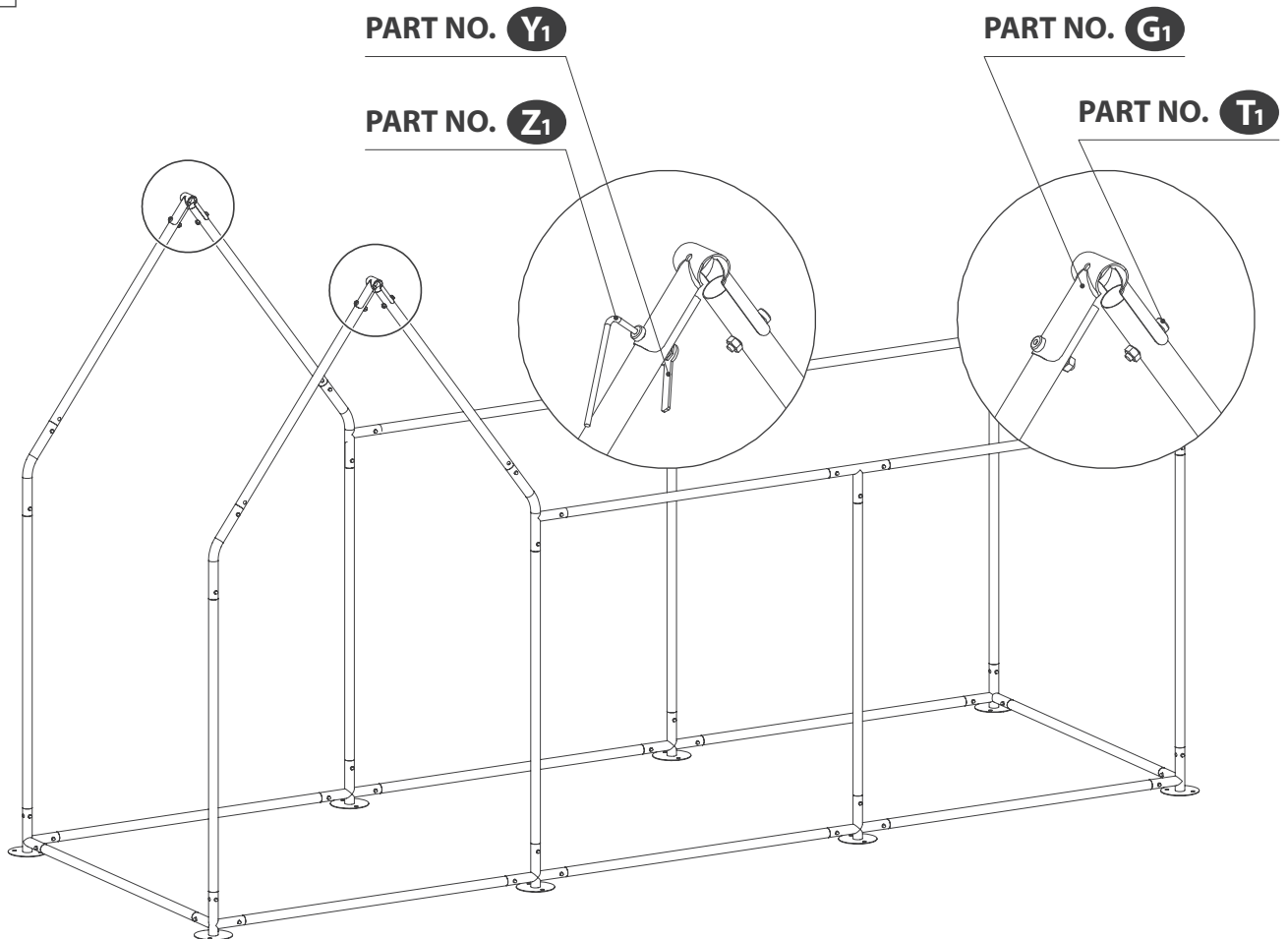


ASSEMBLING YOUR CHICKEN RUN COOP

STEP 5

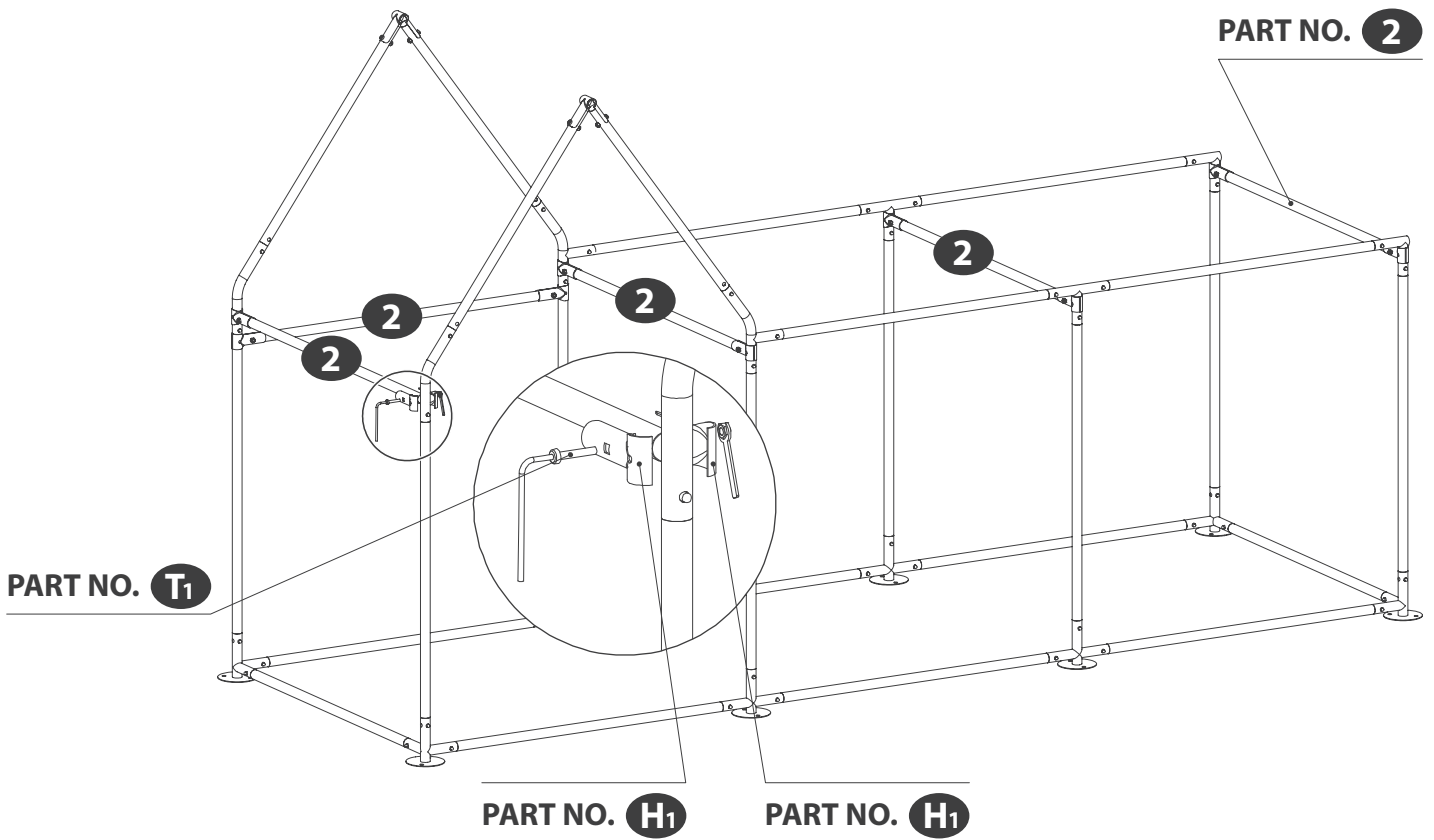


STEP 6

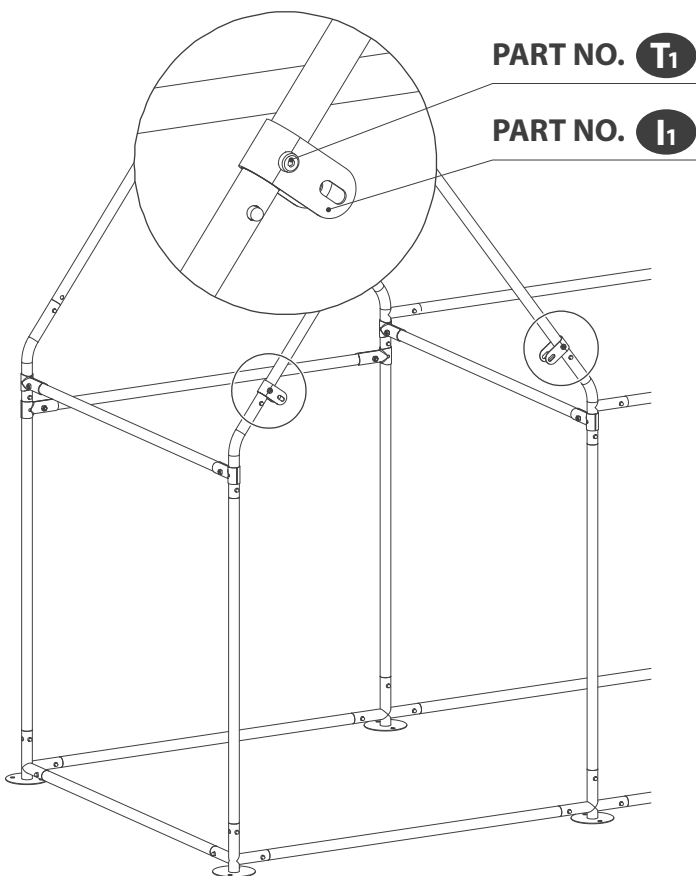


ASSEMBLING YOUR CHICKEN RUN COOP

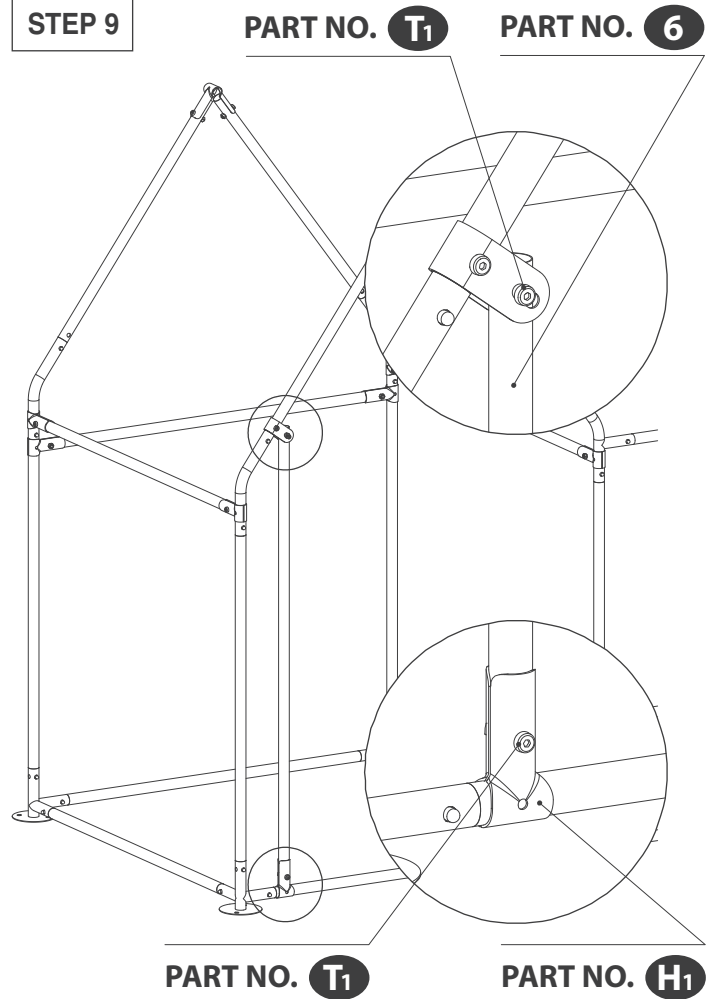
STEP 7



STEP 8



STEP 9



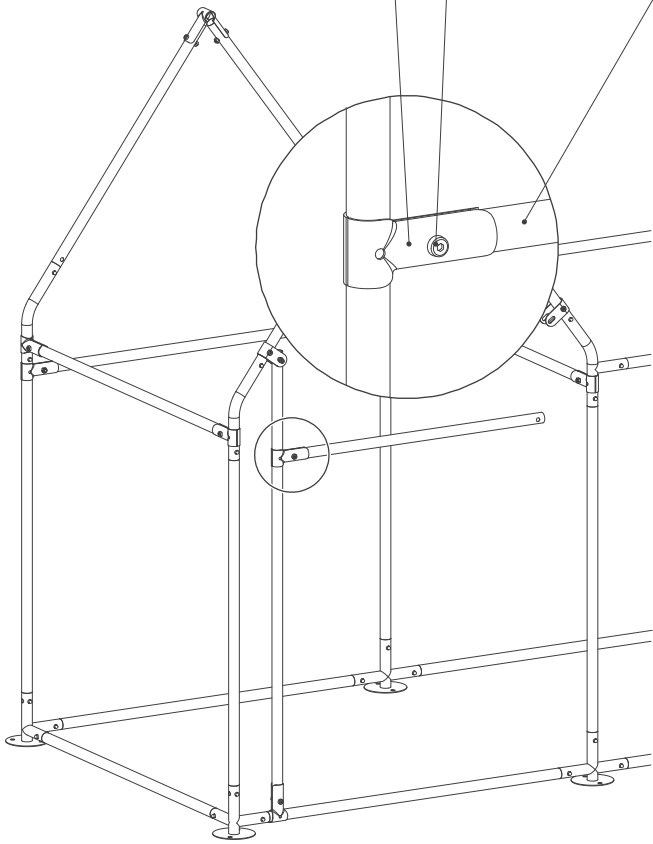
ASSEMBLING YOUR CHICKEN RUN COOP

STEP 10

PART NO. **T₁**

PART NO. **5**

PART NO. **H₁**

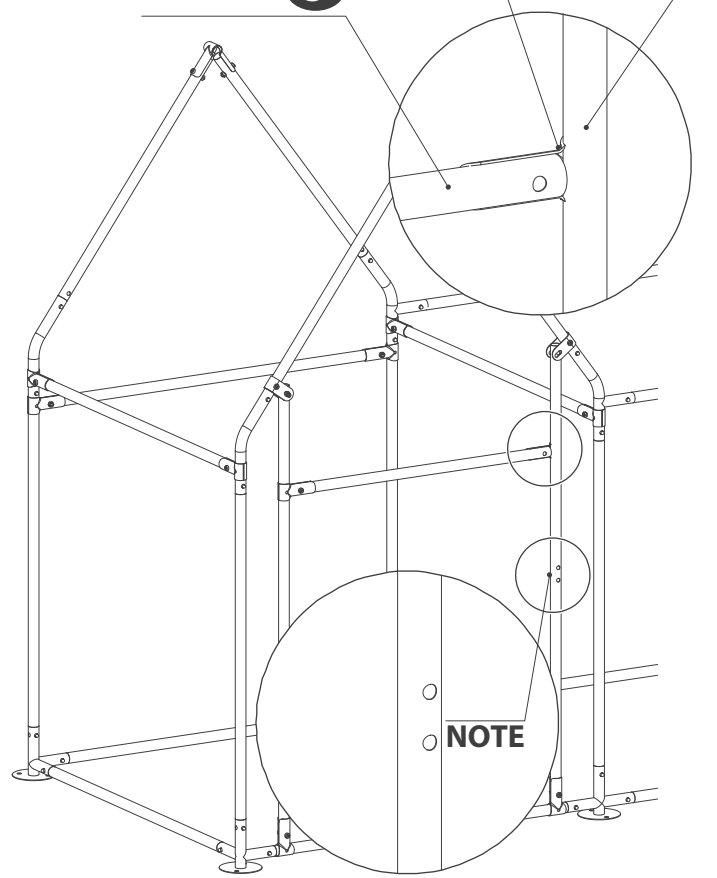


STEP 11

PART NO. **H₁**

PART NO. **7**

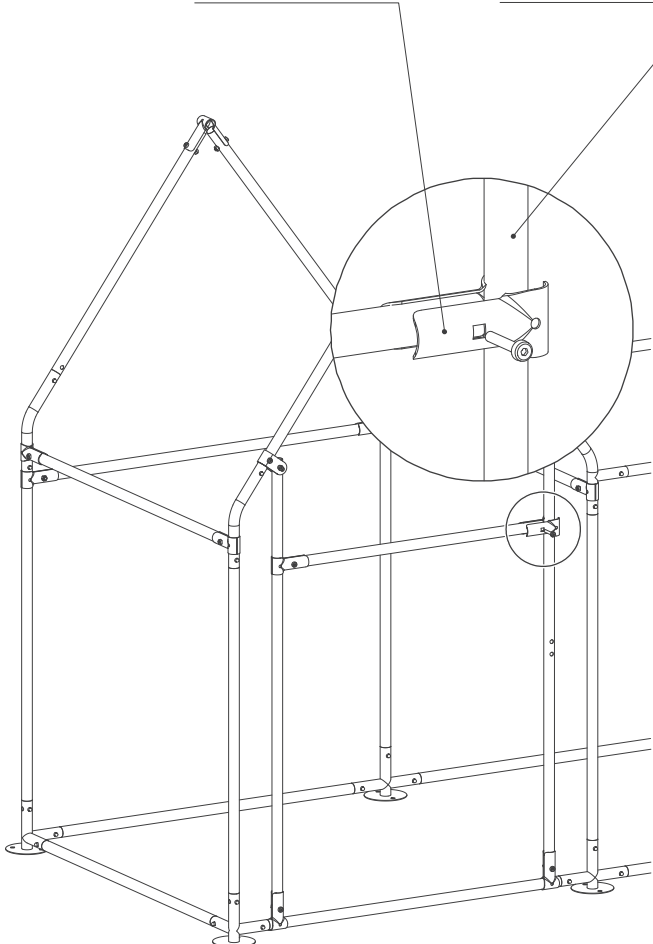
PART NO. **5**



STEP 12

PART NO. **H₁**

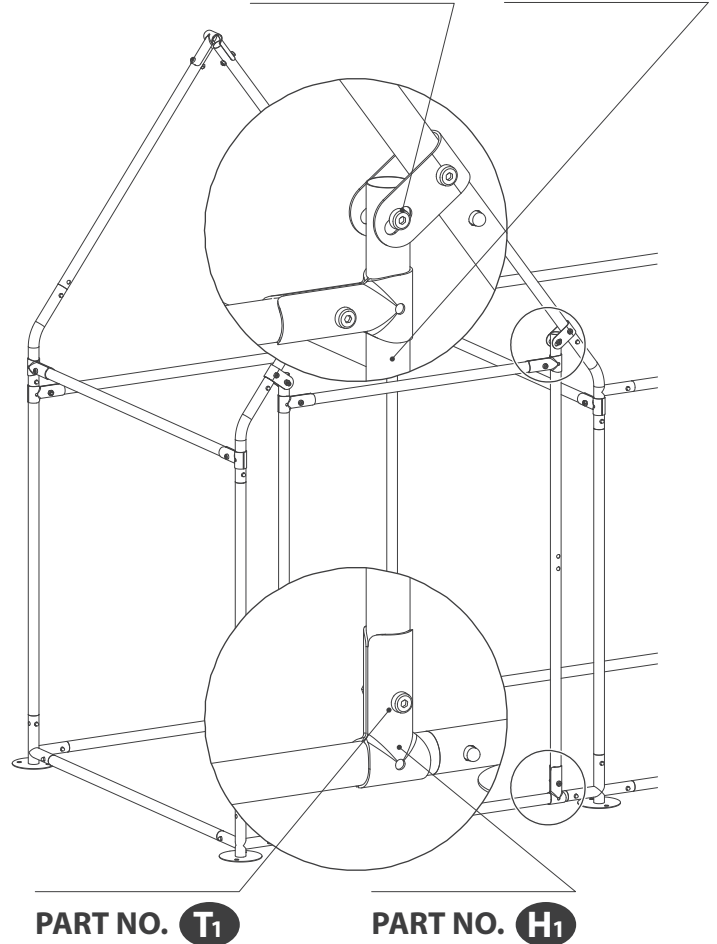
PART NO. **7**



STEP 13

PART NO. **T₁**

PART NO. **7**

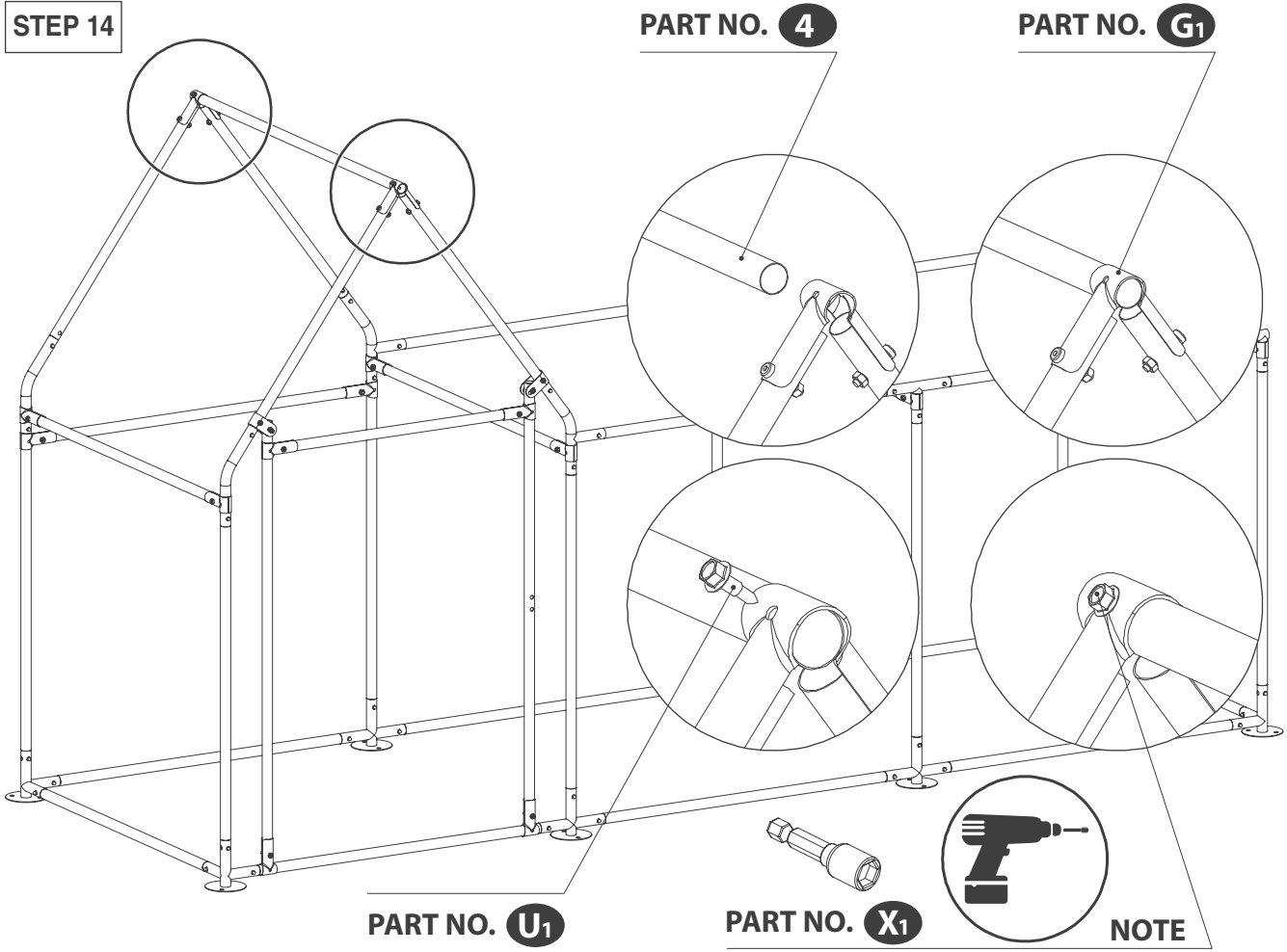


PART NO. **T₁**

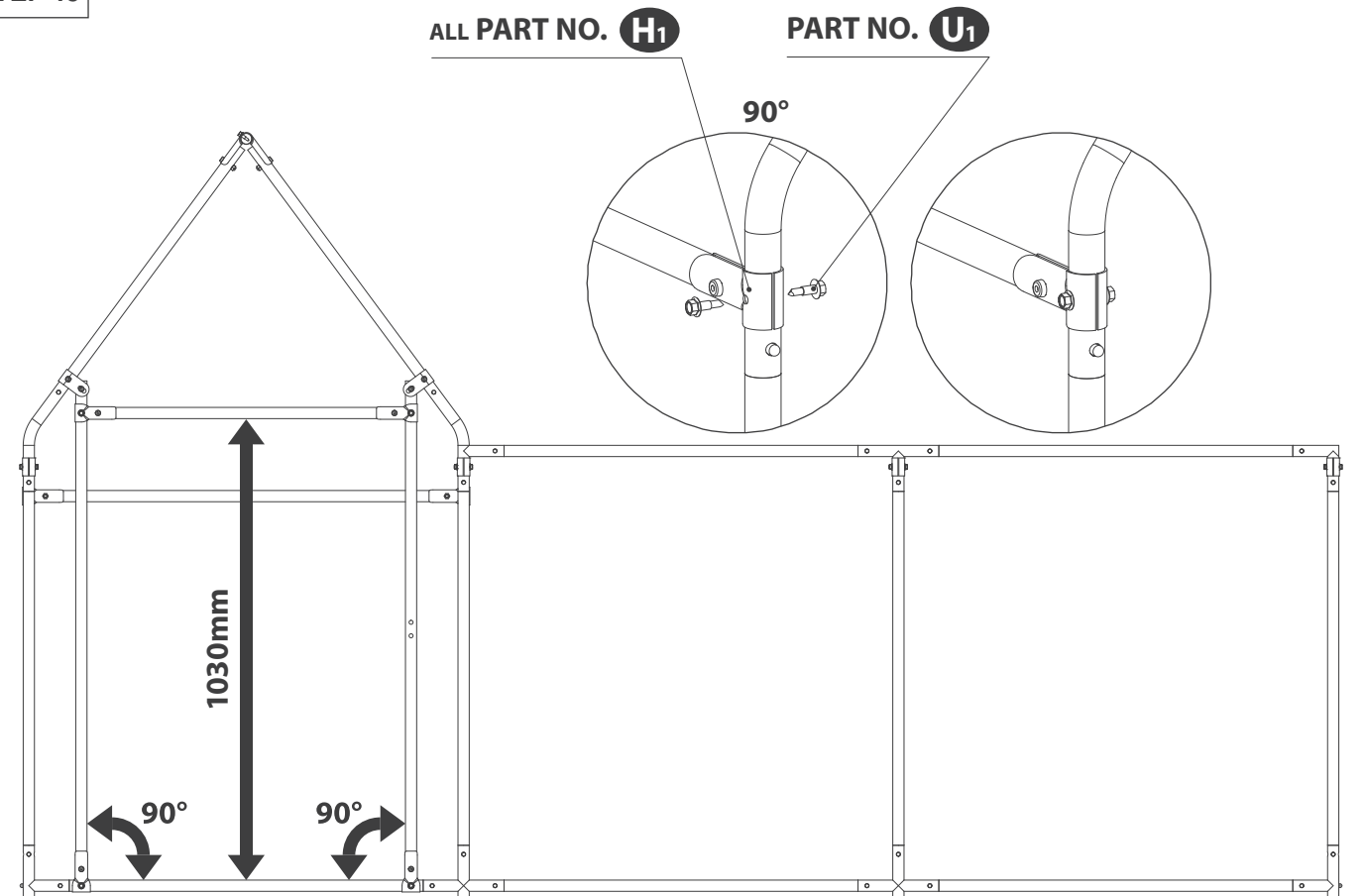
PART NO. **H₁**

ASSEMBLING YOUR CHICKEN RUN COOP

STEP 14

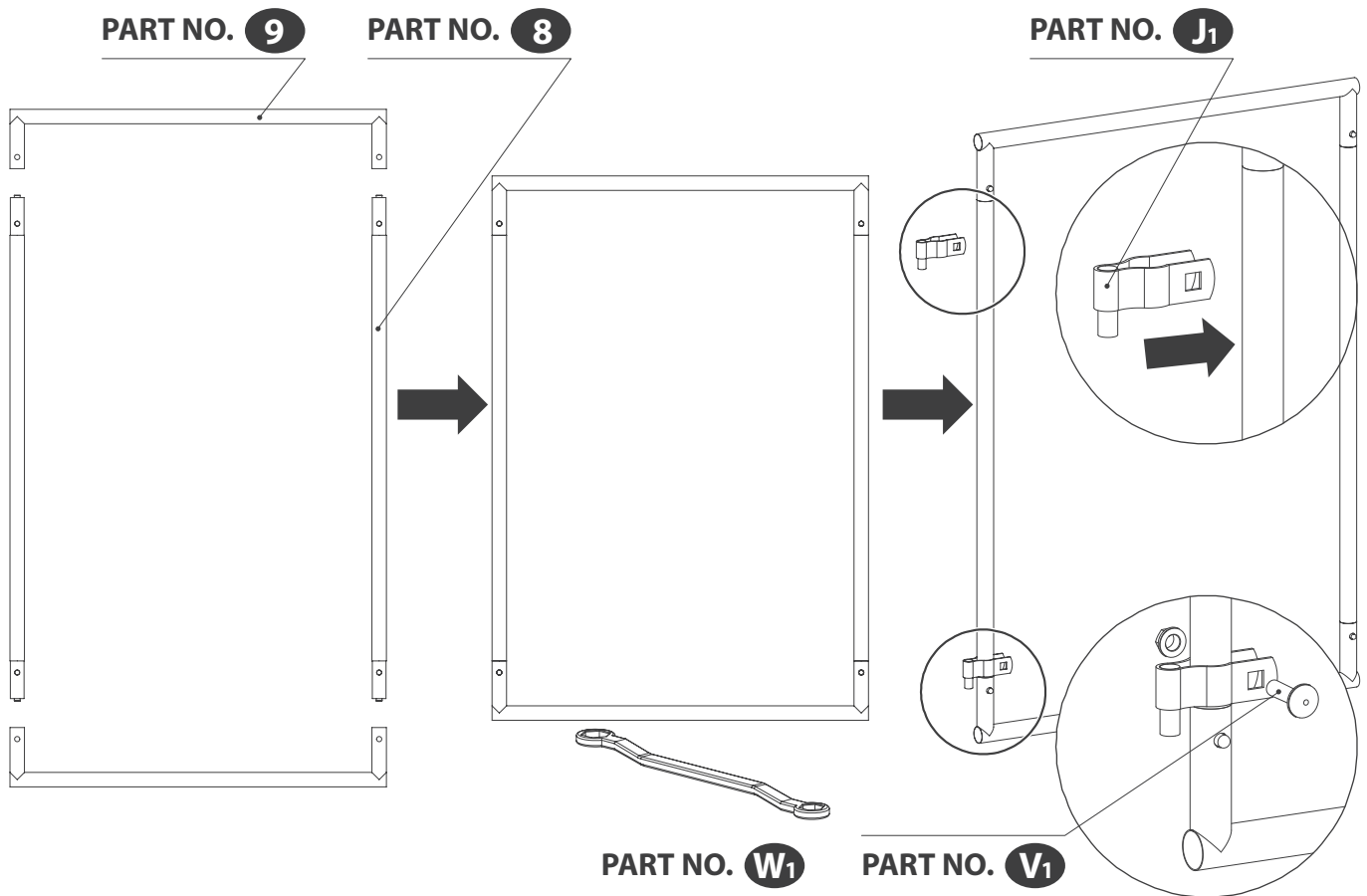


STEP 15

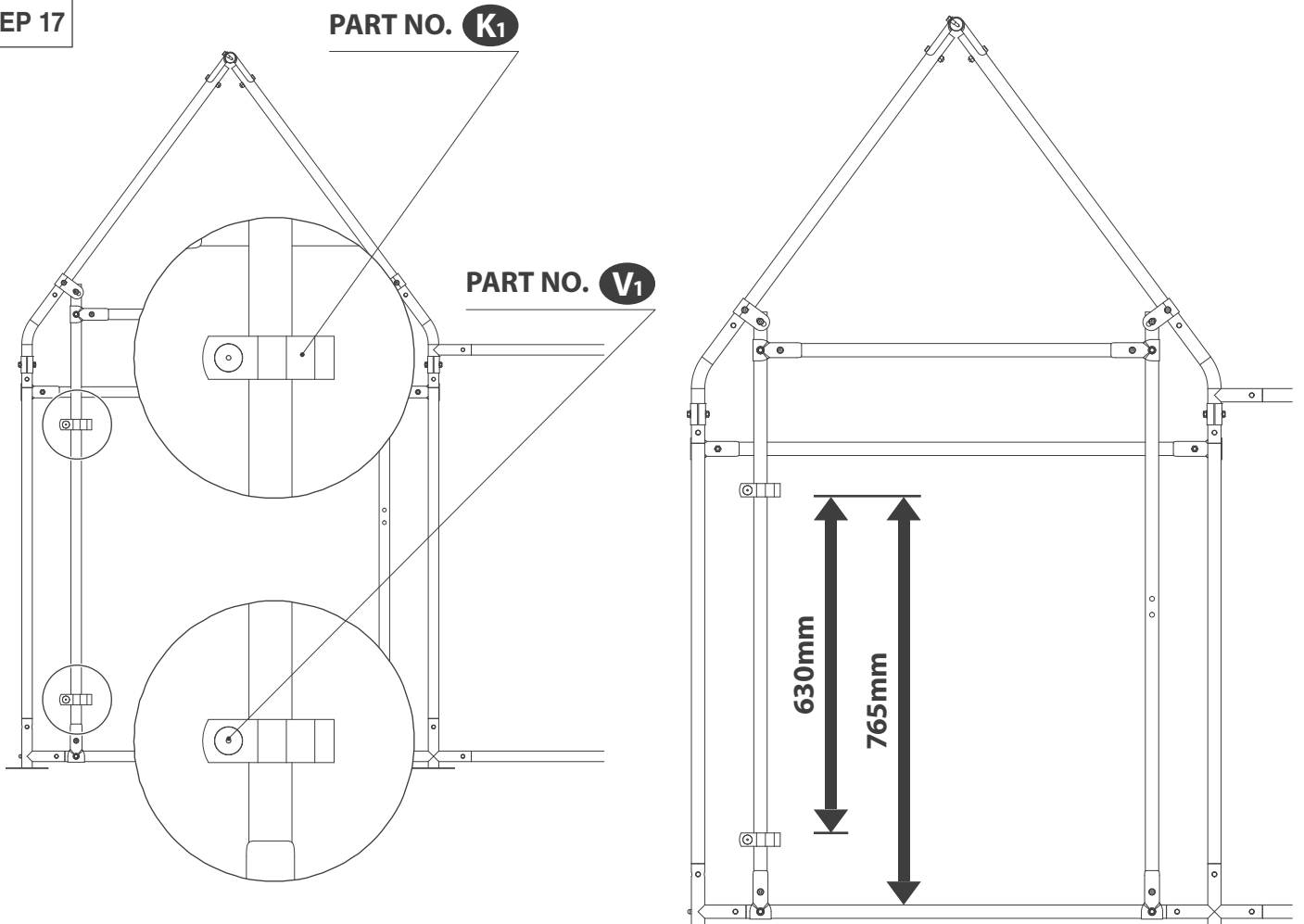


ASSEMBLING YOUR CHICKEN RUN COOP

STEP 16

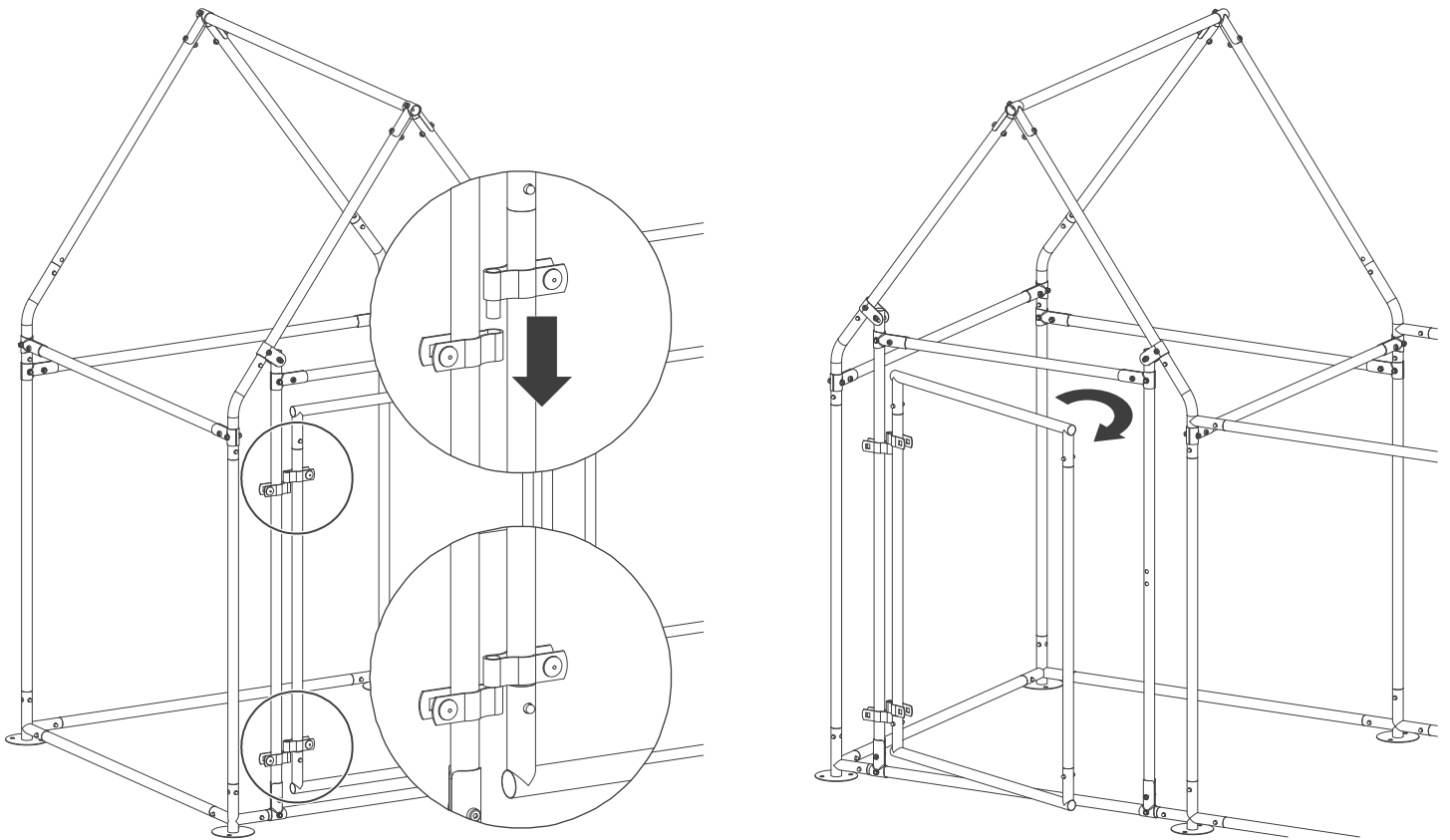


STEP 17



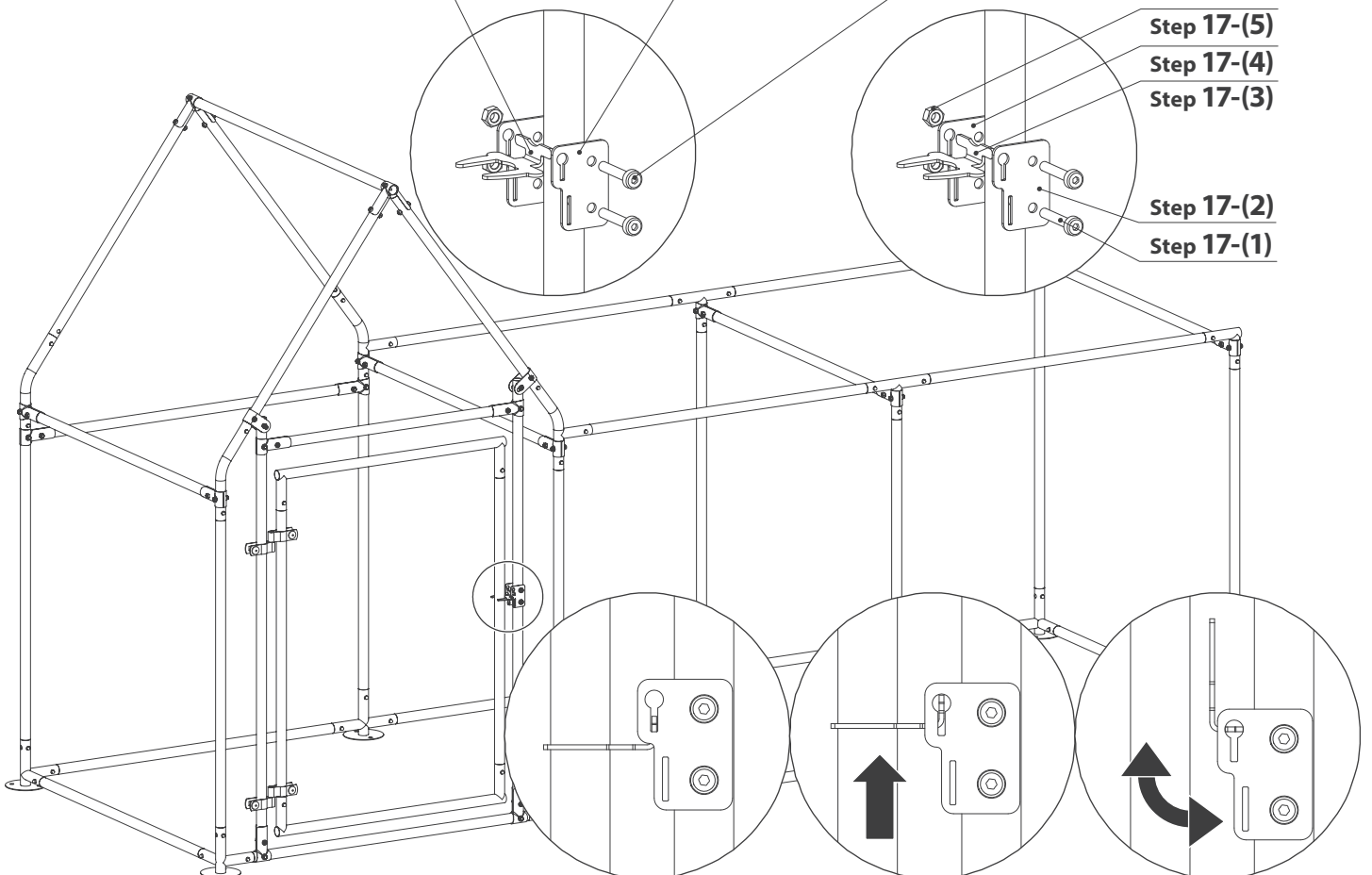
ASSEMBLING YOUR CHICKEN RUN COOP

STEP 16



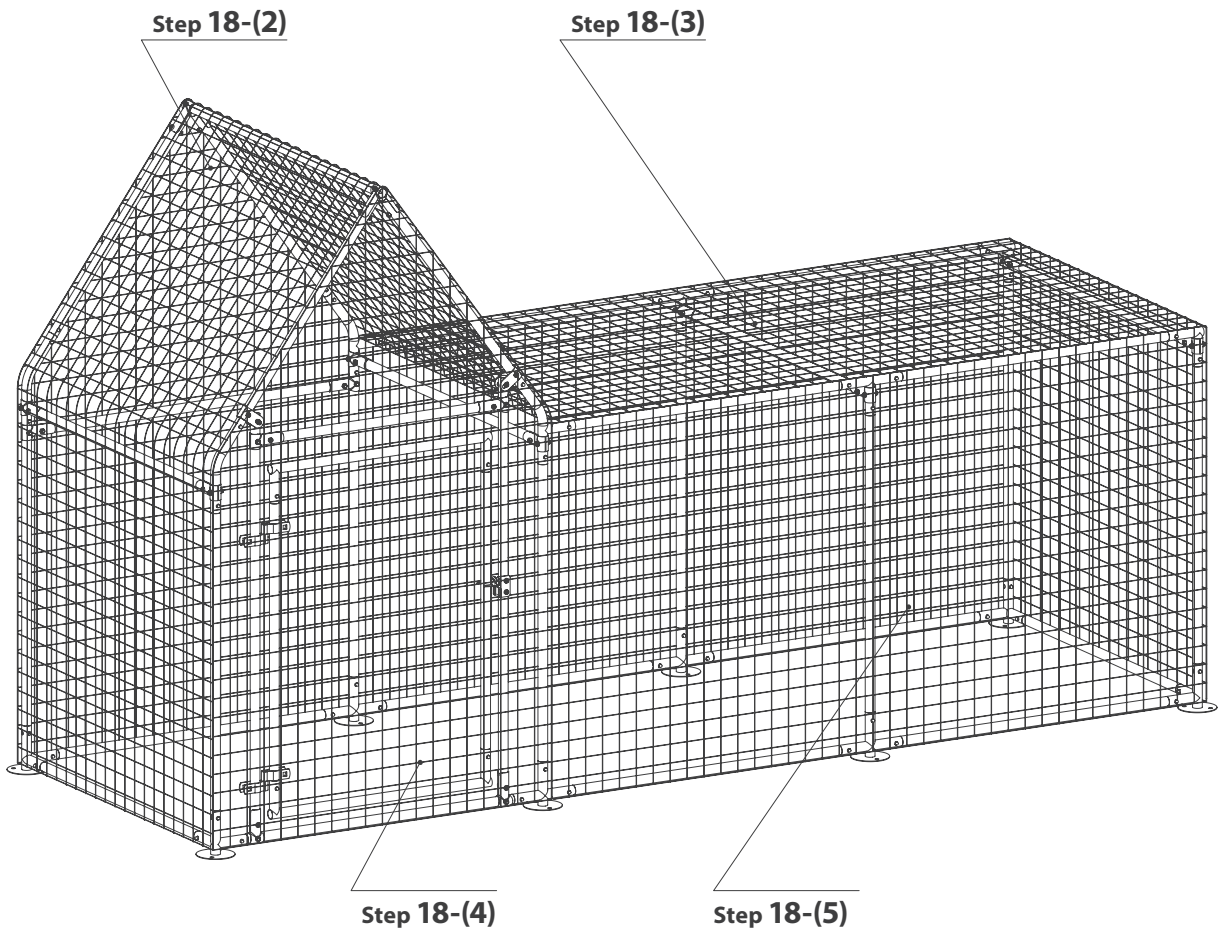
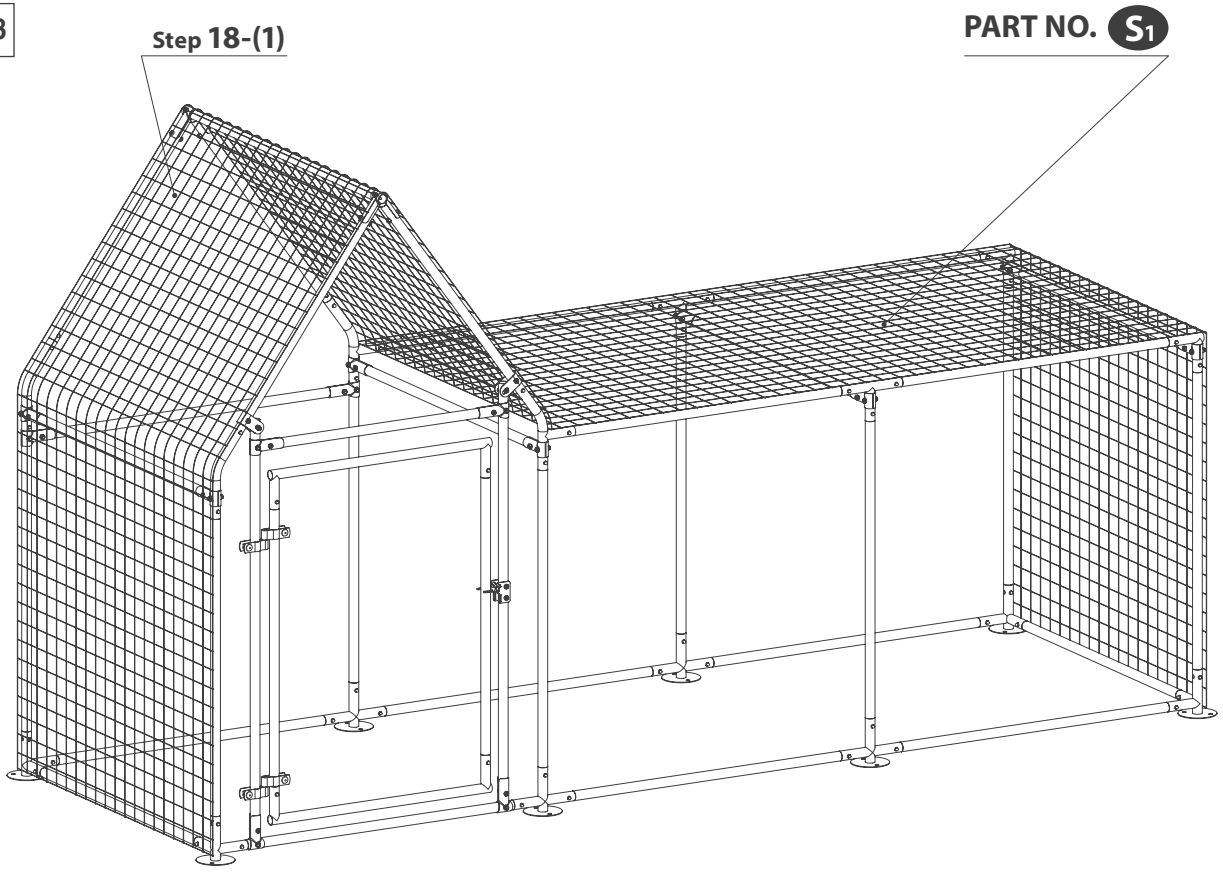
STEP 17

PART NO. **M₁** PART NO. **L₁** PART NO. **T₁**

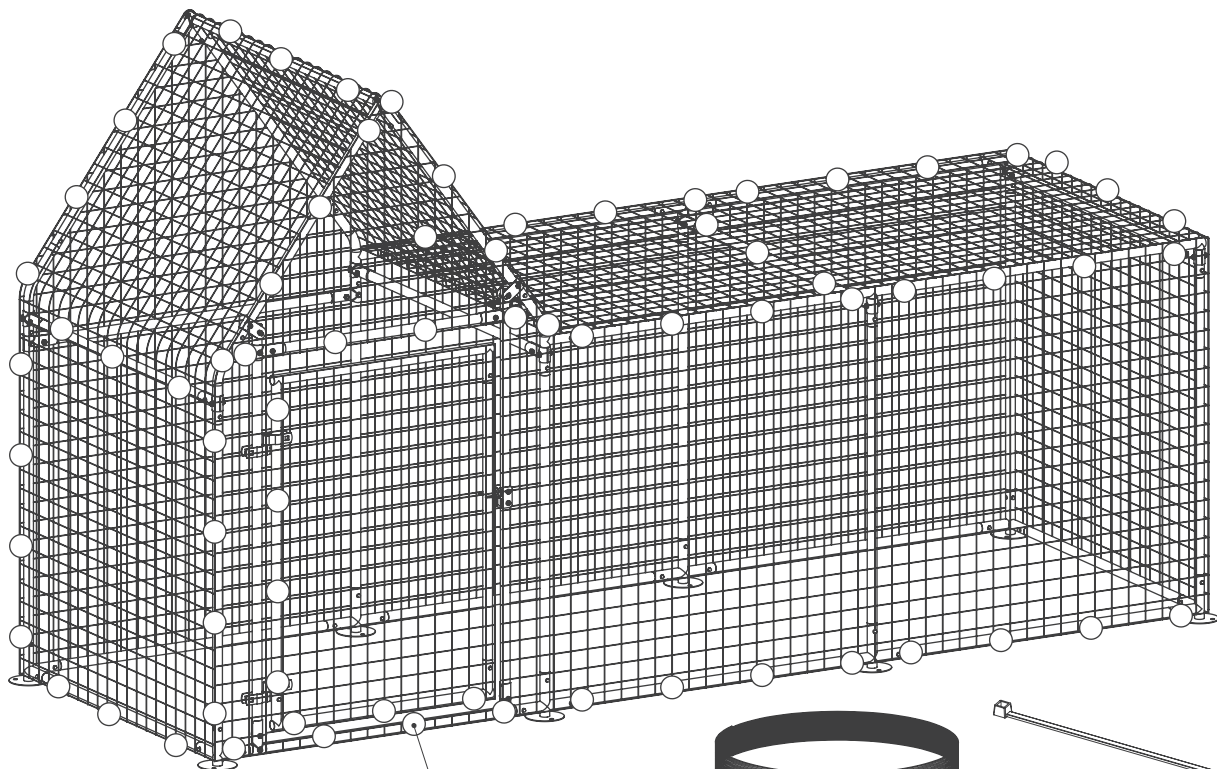
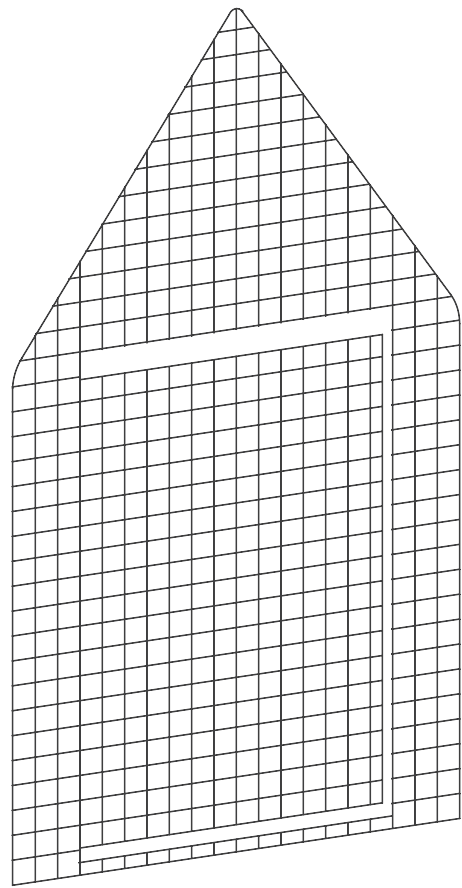
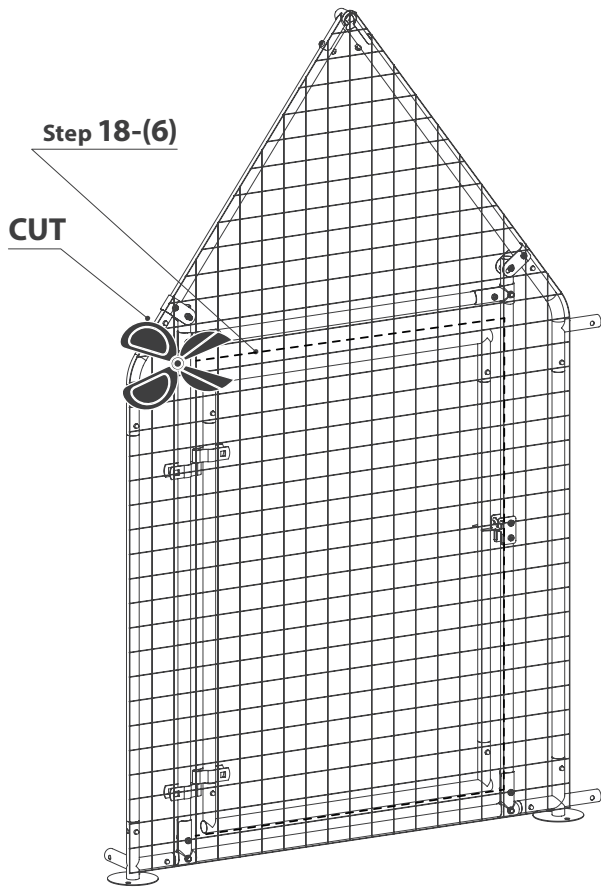


ASSEMBLING YOUR CHICKEN RUN COOP

STEP 18



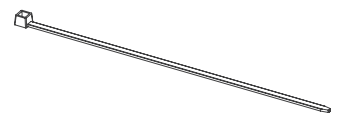
ASSEMBLING YOUR CHICKEN RUN COOP



Step 18-(7)



PART NO. **N₁**



PART NO. **Q₁**

ASSEMBLING YOUR CHICKEN RUN COOP

STEP 19

PART NO. **R₁**

PART NO. **P₁**

