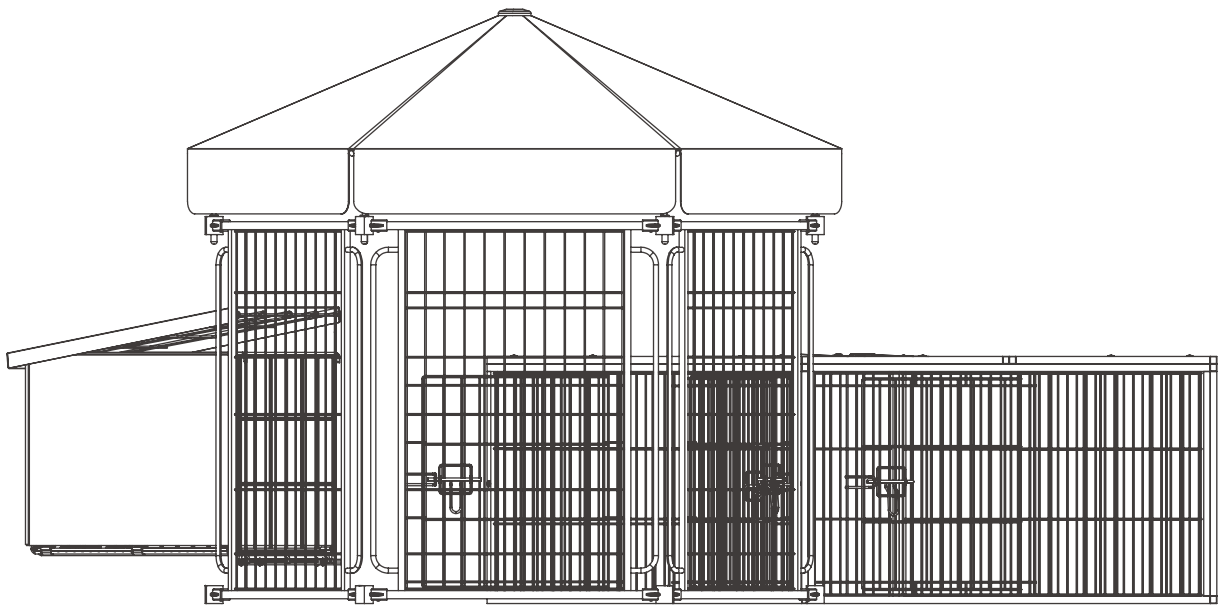


# PawHut

INdjb018\_GL

**D51-251**



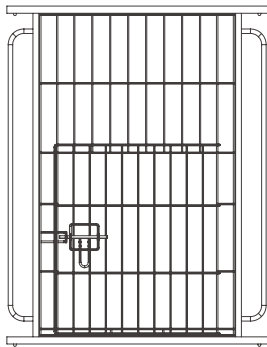
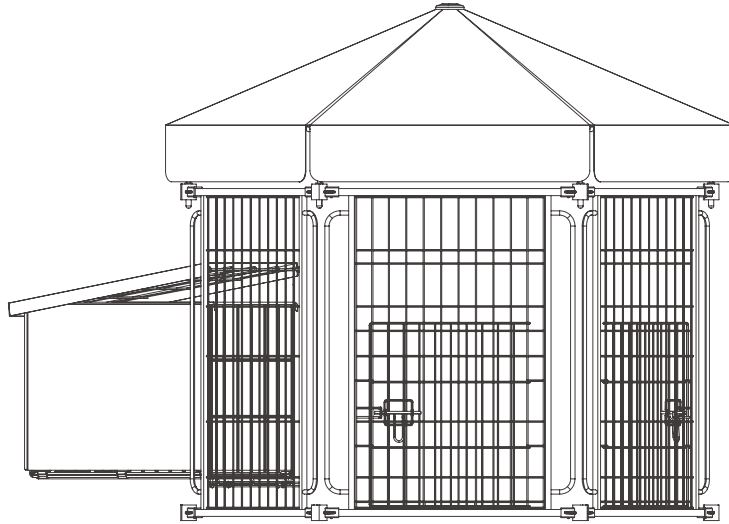
IMPORTANT, RETAIN FOR FUTURE REFERENCE: READ CAREFULLY

## ASSEMBLY & INSTRUCTION MANUAL

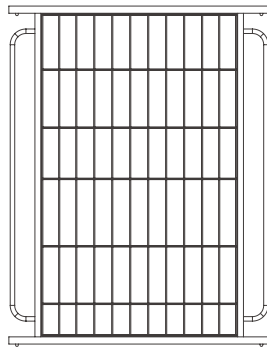
BEFORE ASSEMBLY

Pet Play Yard with Canopy

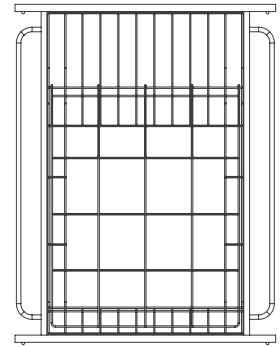
PACKING BOX (1)



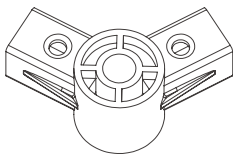
PART NO. ① x 2pcs



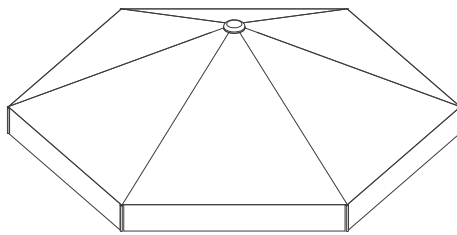
PART NO. ② x 3pcs



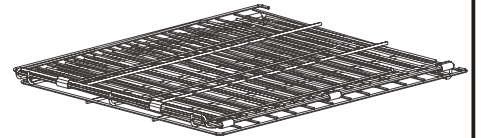
PART NO. ③ x 1pc



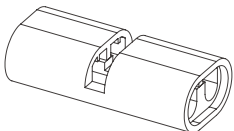
PART NO. ④ x 12pcs



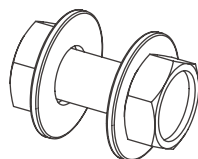
PART NO. ⑤ x 1pc



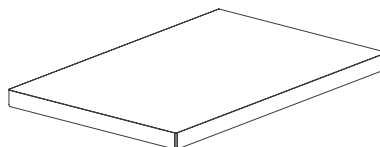
PART NO. ⑥ x 1pc



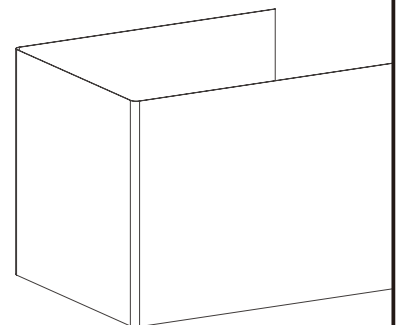
PART NO. ⑦ x 4pcs



PART NO. ⑧ x 2pcs



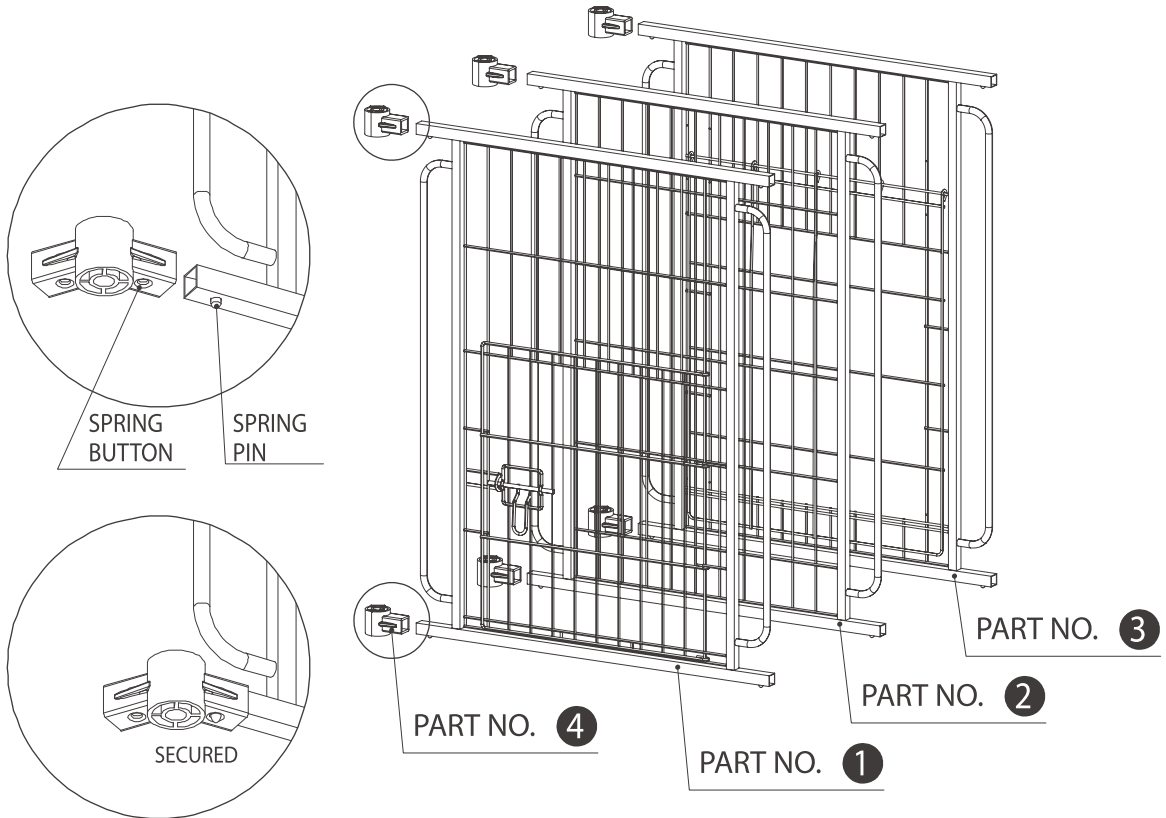
PART NO. ⑨ x 1pc



PART NO. ⑩ x 1pc

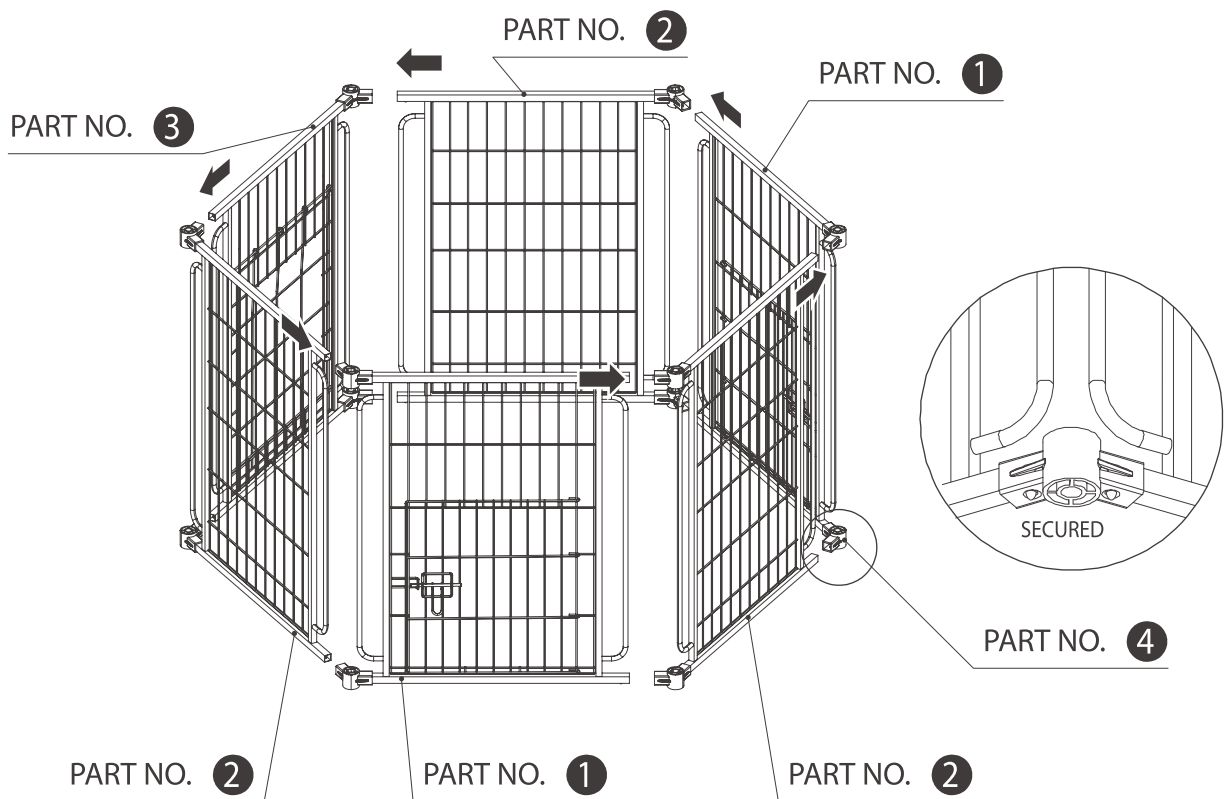
# ASSEMBLING YOUR PLAY YARD

## STEP 1



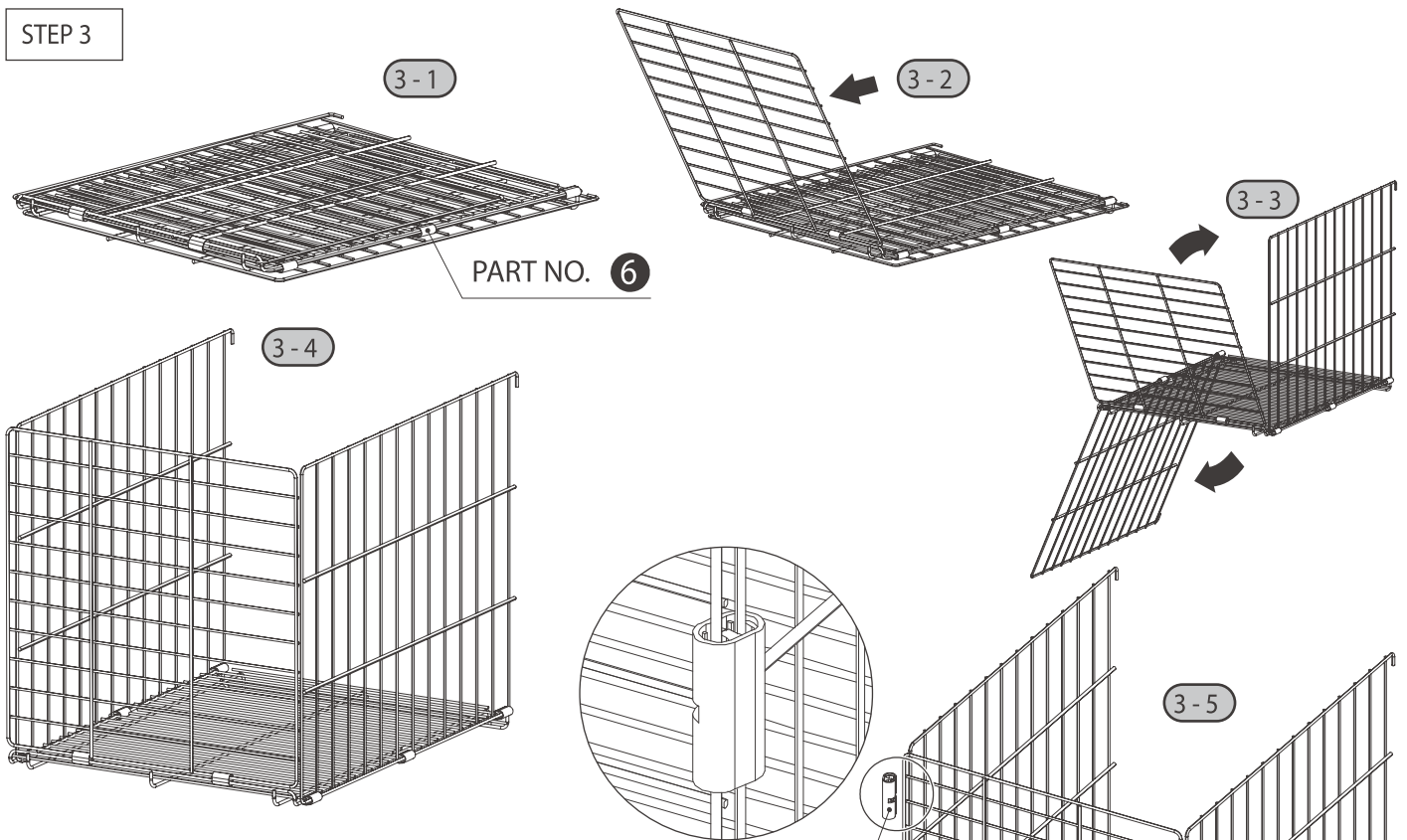
NOTE: Make sure that the spring pins are secured into the opposing holes.

## STEP 2

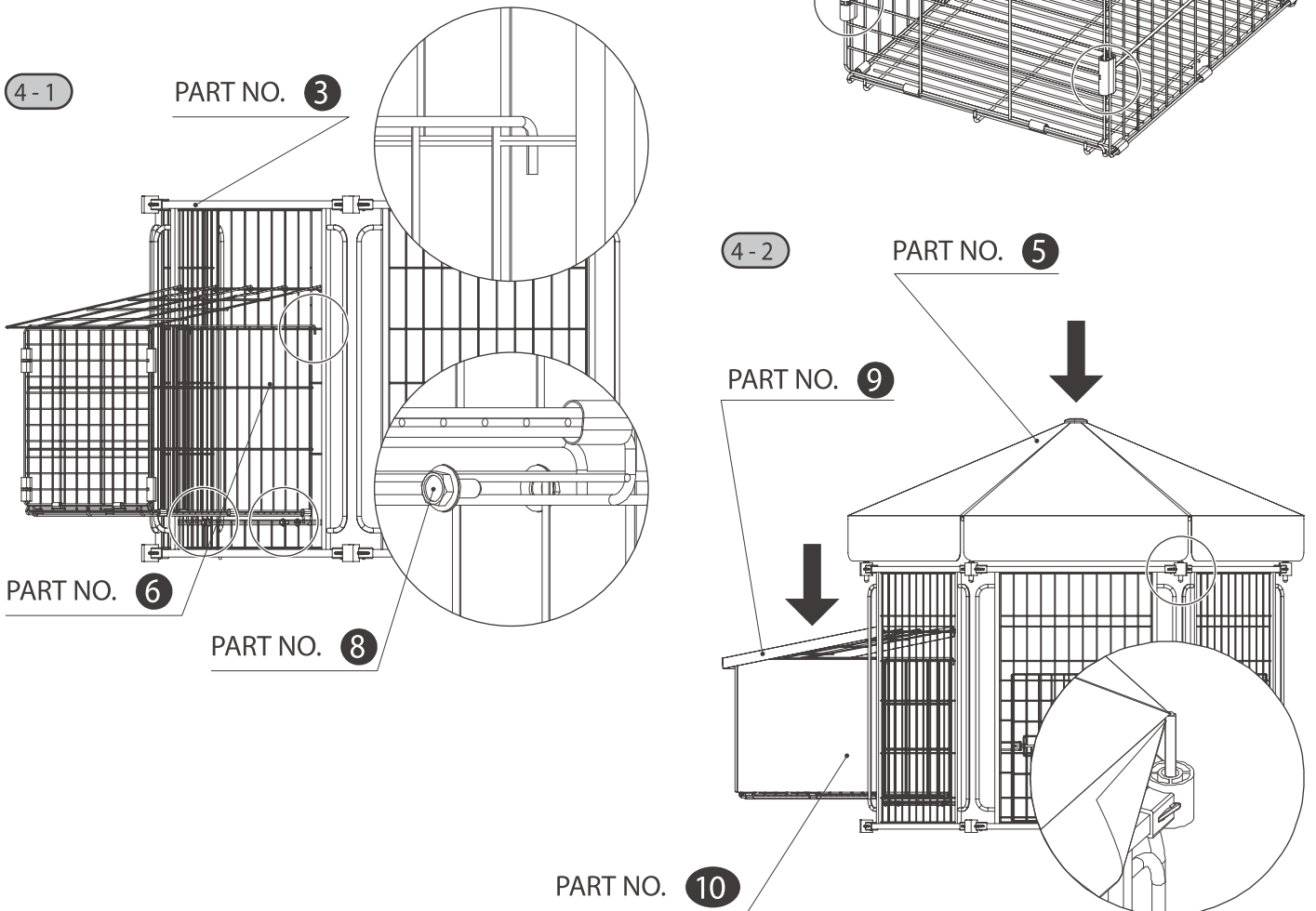


# ASSEMBLING YOUR PLAY YARD

## STEP 3



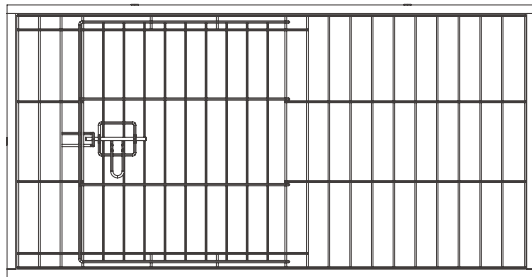
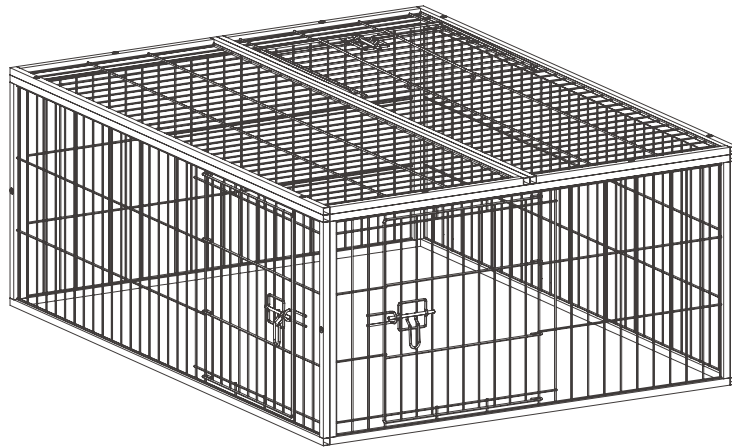
## STEP 4



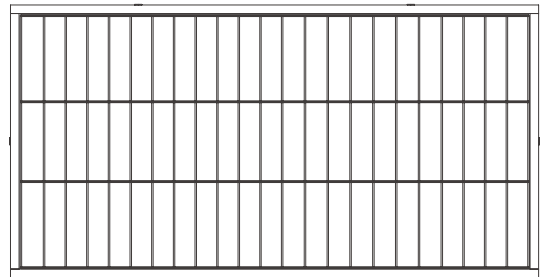
BEFORE ASSEMBLY

Chicken Run Coop

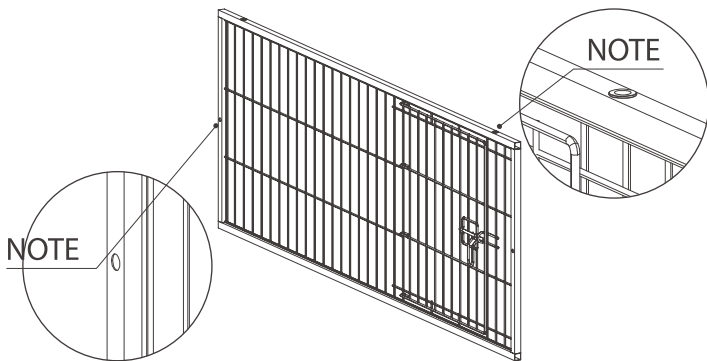
PACKING BOX (2)



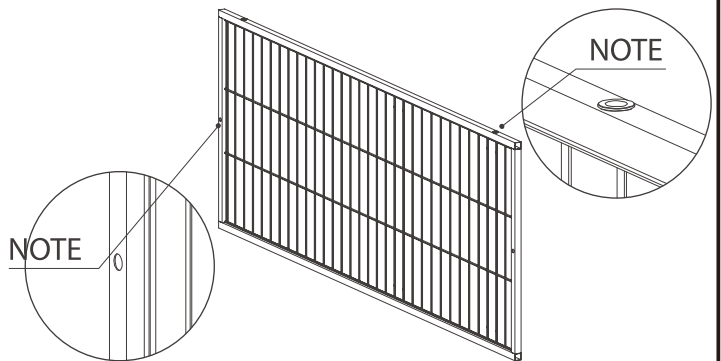
PART NO. 11 x 1pc



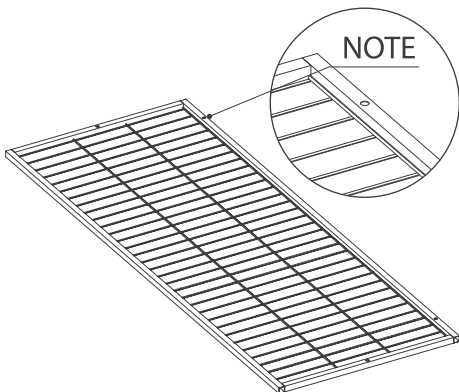
PART NO. 12 x 1pc



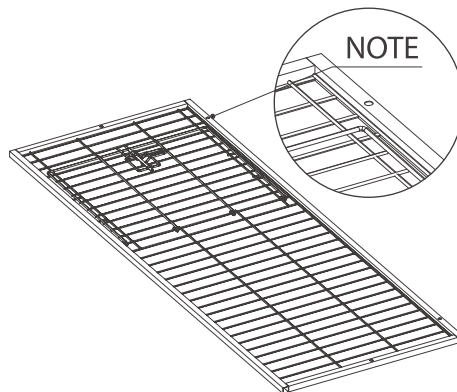
PART NO. 13 x 1pc



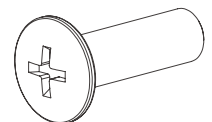
PART NO. 14 x 1pc



PART NO. 15 x 1pc

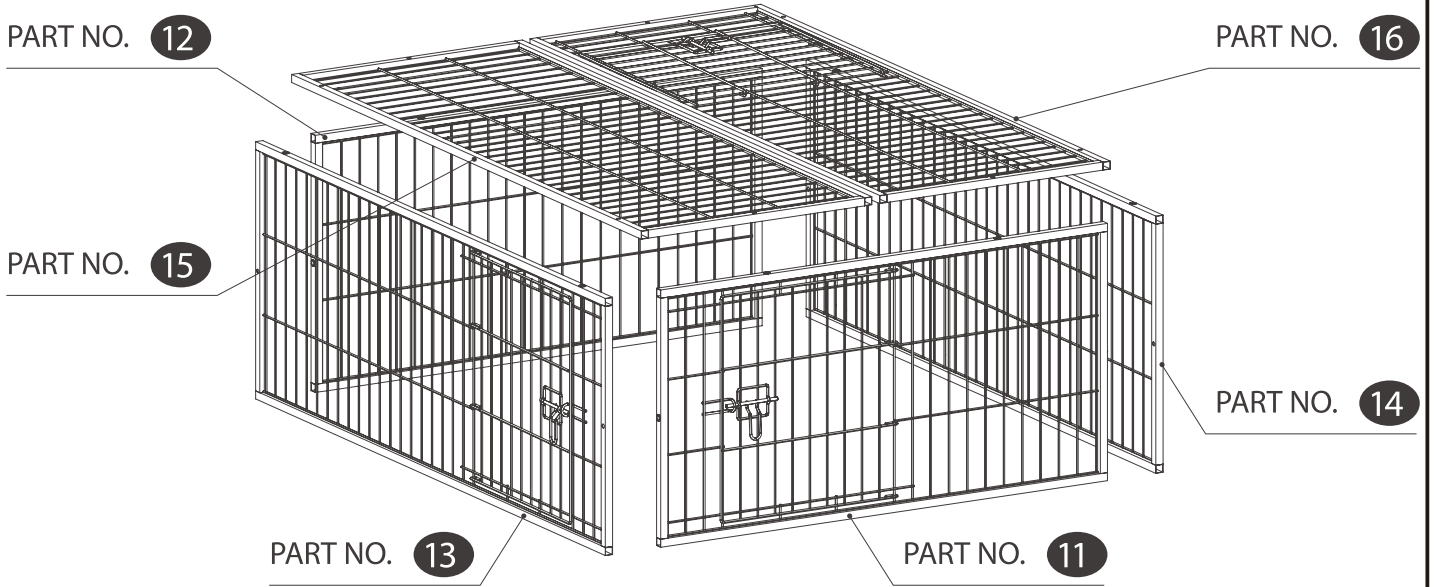


PART NO. 16 x 1pc

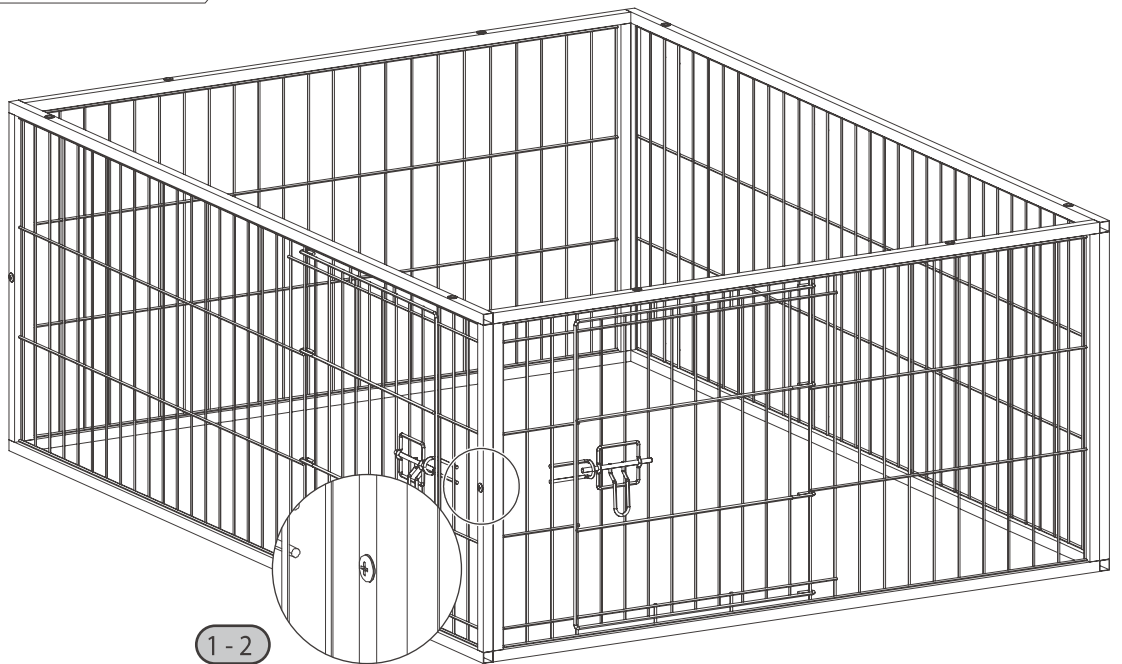
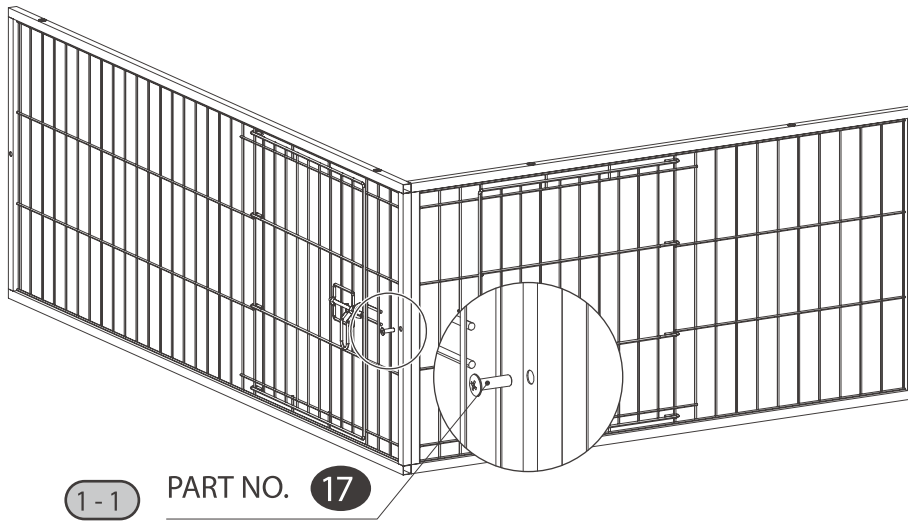


PART NO. 17 x 12pcs

# ASSEMBLING YOUR CHICKEN RUN COOP

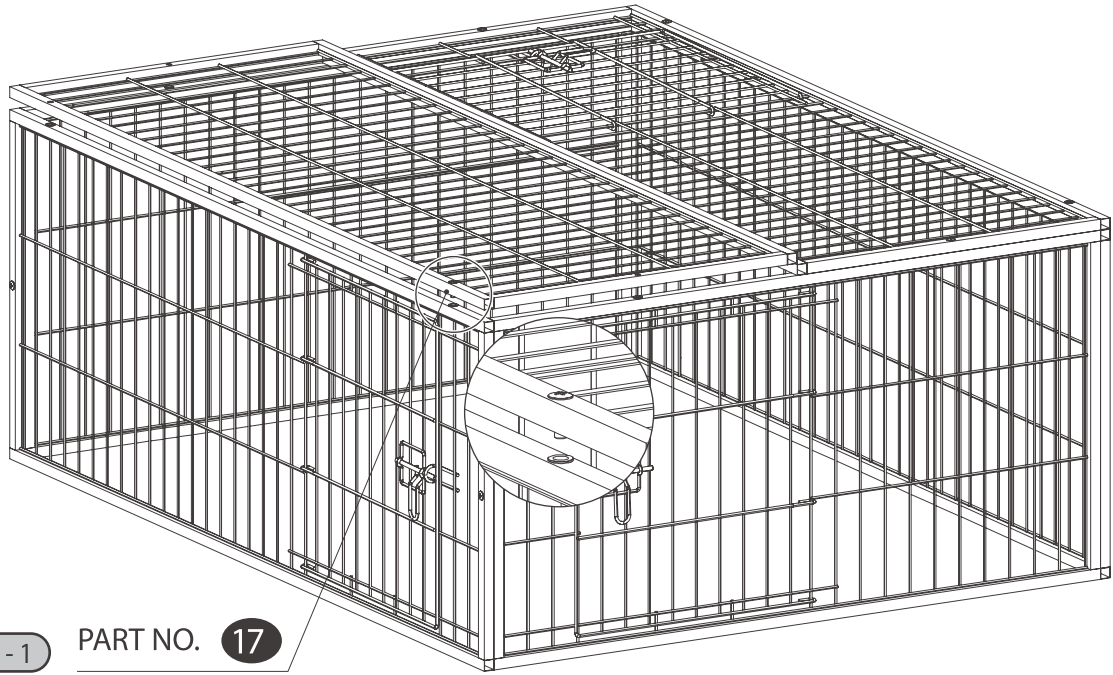


STEP 1



# ASSEMBLING YOUR CHICKEN RUN COOP

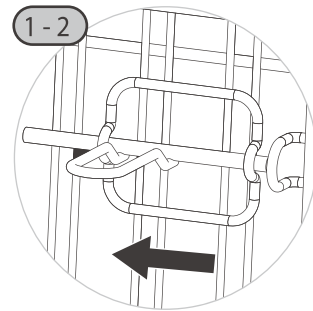
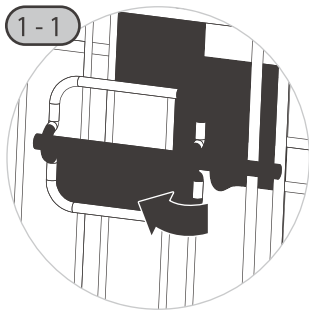
STEP 2



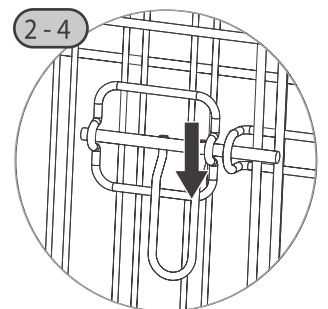
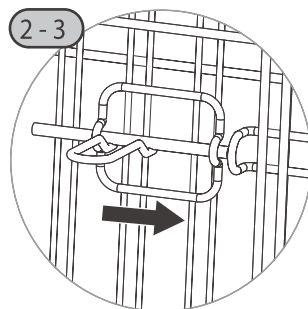
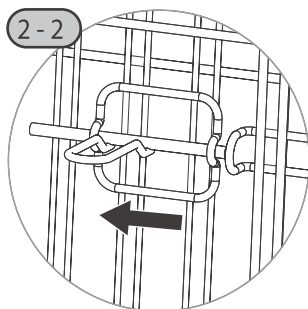
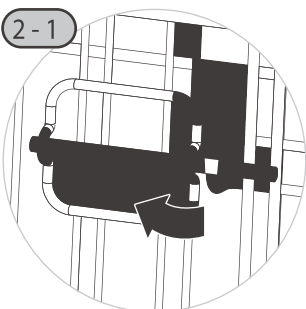
2-1 PART NO. 17

## OPERATING THE DOOR

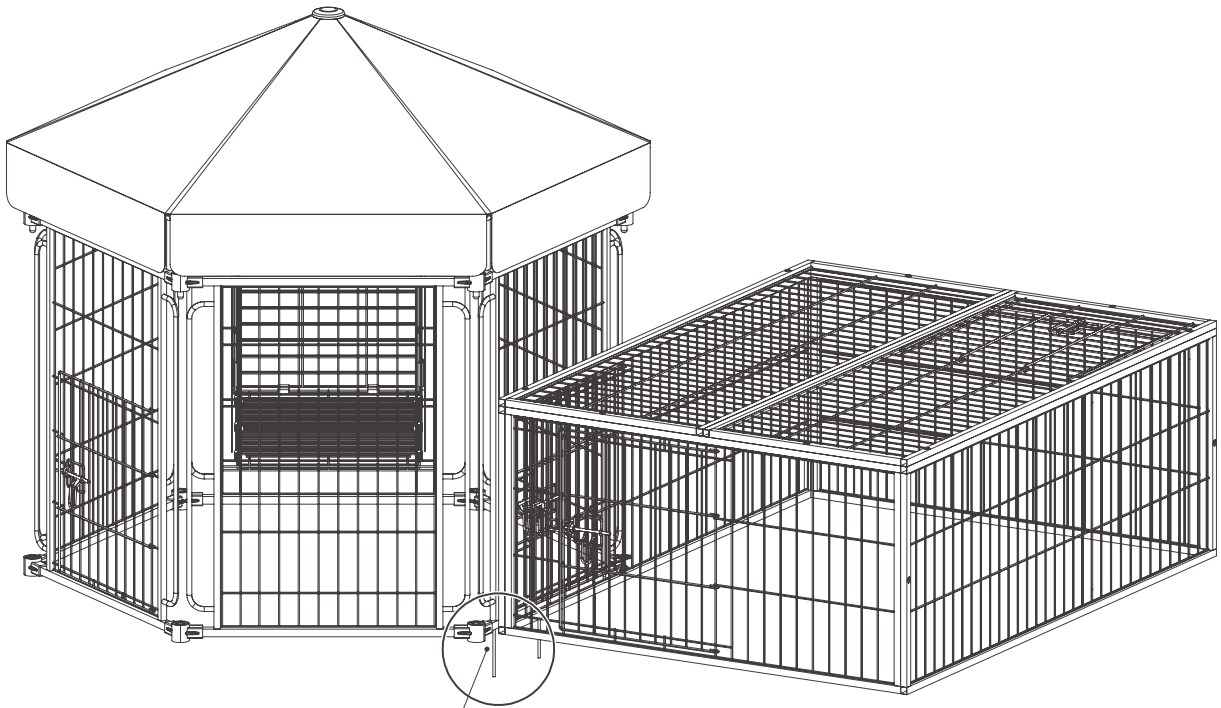
TO OPEN



TO CLOSE



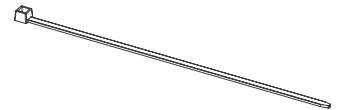
# ASSEMBLING YOUR CHICKEN RUN COOP



PART NO. 18 x 6pcs



PART NO. 19



PART NO. 20

