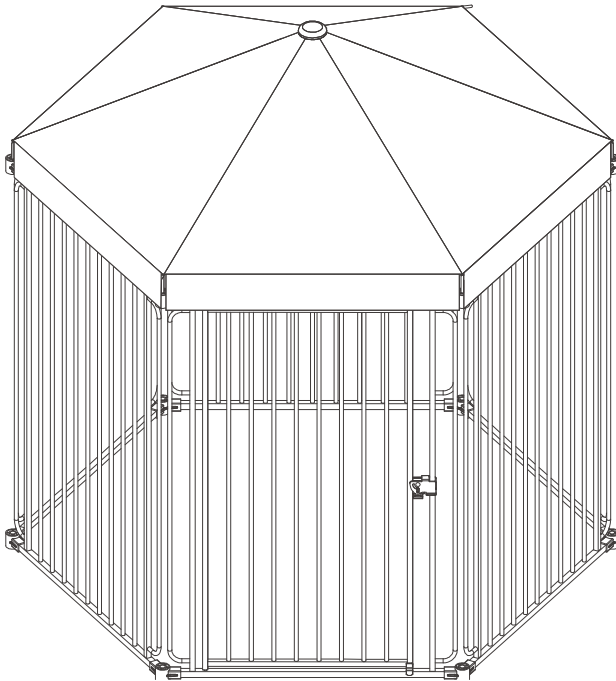


# PawHut.

INdka005\_US

**D02-062\_D02-062V01**



## Pet Play Yard



**READ ALL INSTRUCTIONS BEFORE ASSEMBLY AND  
USE OF PLAY YARD.**

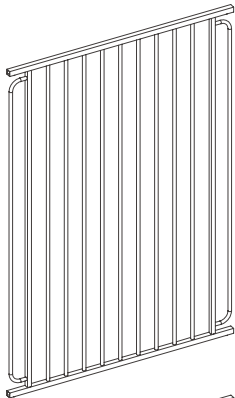
**READ AND SAVE THIS INSTRUCTION FOR FUTURE USE**

# ASSEMBLY INSTRUCTION

# **WARNING**

Improper installation could result in the Play Yard becoming unstable.

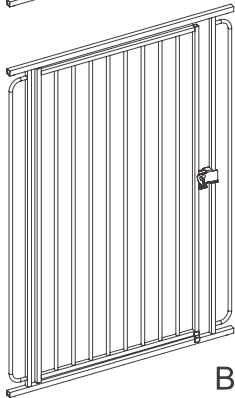
To prevent serious injury or death, securely install Play Yard or enclosure and use according to manufacturer's instructions. Always ensure the Play Yard is resting against the ground before beginning installation. Check the Play Yard regularly to see if all the hardware and mountings are tightened. This is a Pet Play Yard. **NOT** intended for use with children. Strangulation hazard: pets can force themselves into very small openings; use this Play Yard with pets whose heads will not fit into openings in the Play Yard, between the Play Yard and floor, or between the Play Yard and wall. Never use with pet able to climb over or dislodge/open the Play Yard or enclosure. Never leave pet unattended. Use only with the locking/latching mechanism securely engaged.



**A**

**A: Extension**

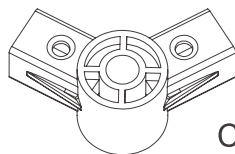
30" Height	42" Height
D02-062 [5 Panels]	D02-062V01 [5 Panels]



**B**

**B: Door Extension**

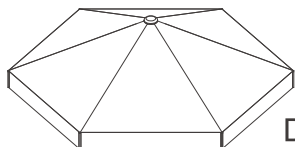
30" Height	42" Height
D02-062 [1 Panel]	D02-062V01 [1 Panel]



**C**

**C: Connector**

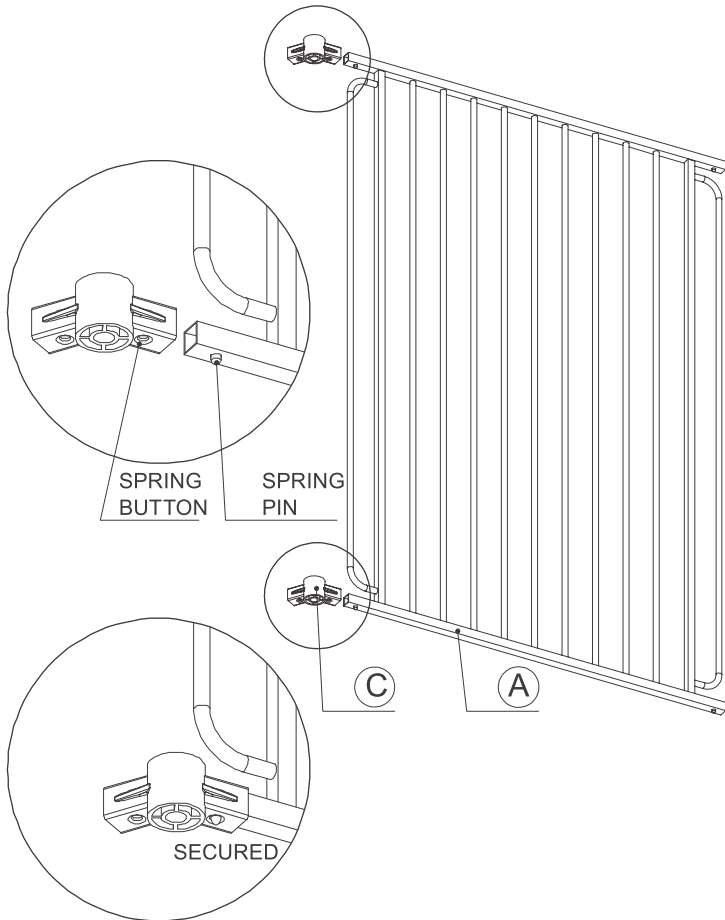
D02-062 [12 Pcs]	D02-062V01 [12 Pcs]
---------------------	------------------------



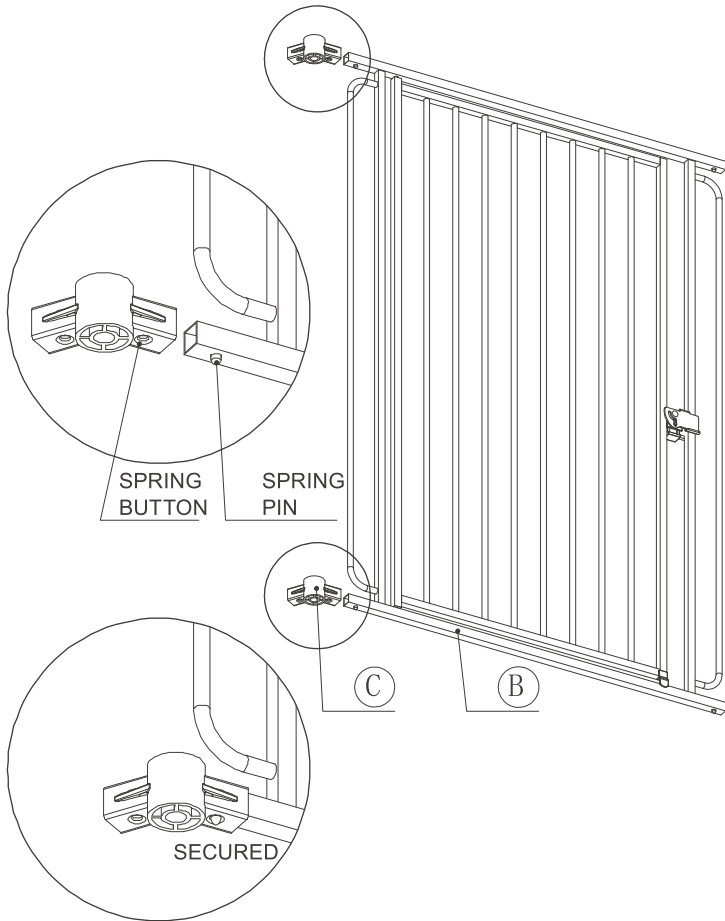
**D**

**D: Canopy**

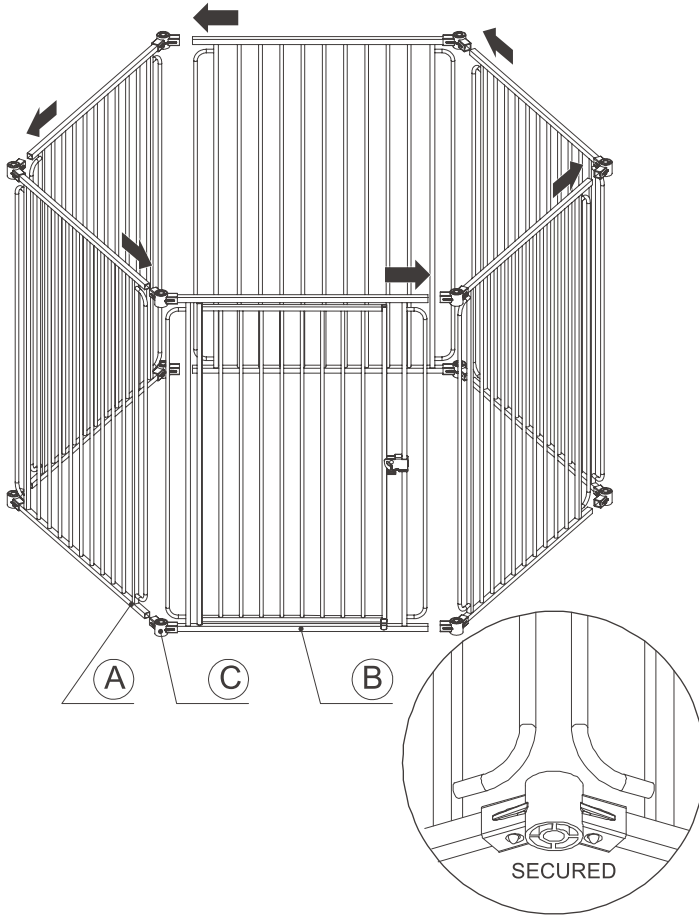
48" Circle	60" Circle
D02-062 [1 Pc]	D02-062V01 [1 Pc]



**NOTE:** Make sure that the spring pins are secured into the opposing holes.

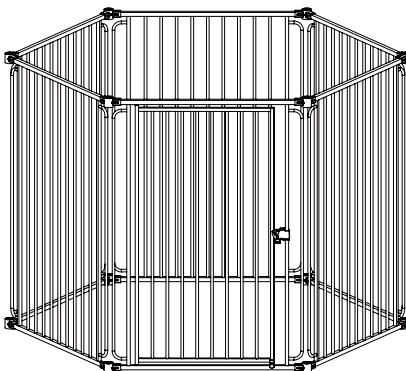
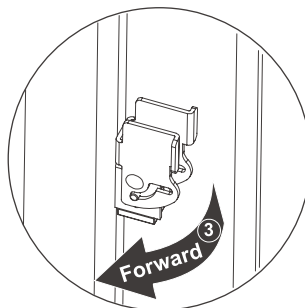
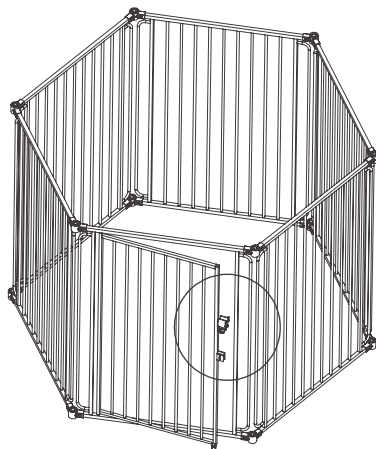
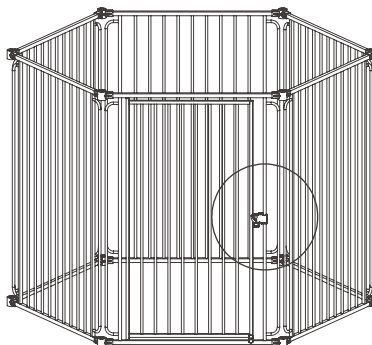
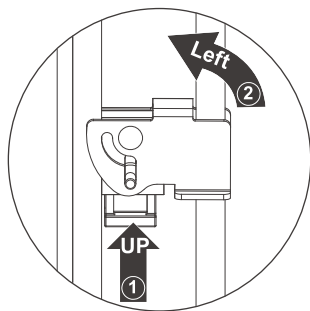


**NOTE:** Make sure that the spring pins are secured into the opposing holes.

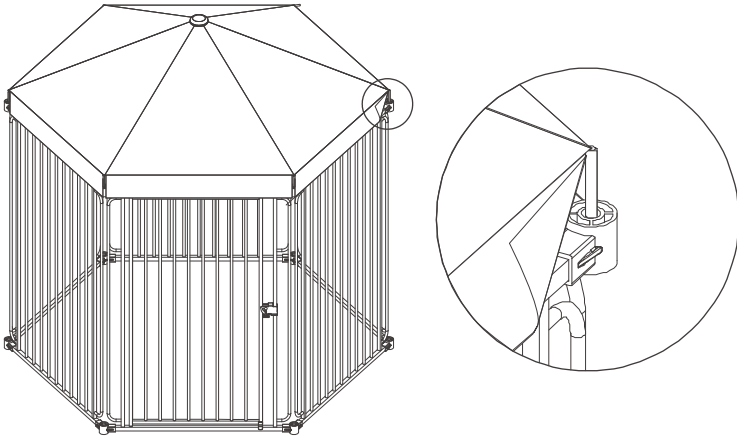


**NOTE:** Make sure that the spring pins are secured into the opposing holes.

# OPERATING THE DOOR LATCH



## ADD CANOPY



## CARE AND MAINTENANCE

Periodically check the crate for signs of damage, wear, or missing components. Do not use if any part is missing, worn or damaged. Do not use abrasive cleaners or bleach to clean your crate. Clean by sponging with warm water and a mild detergent. Wipe it dry immediately after cleaning to avoid formation of rust.



US



001-877-644-9366  
customerservice@aosom.com

CA



001-855-537-6088  
customerservice@aosom.ca

UK



0044-800-240-4004  
enquiries@mhstar.co.uk

DE



0049-(0)40-88307530  
service@aosom.de

FR



0033-1-84166106  
contact@aosom.fr

ES



0034-931294512  
atencioncliente@aosom.es

IT



0039-0249471447  
clienti@aosom.it