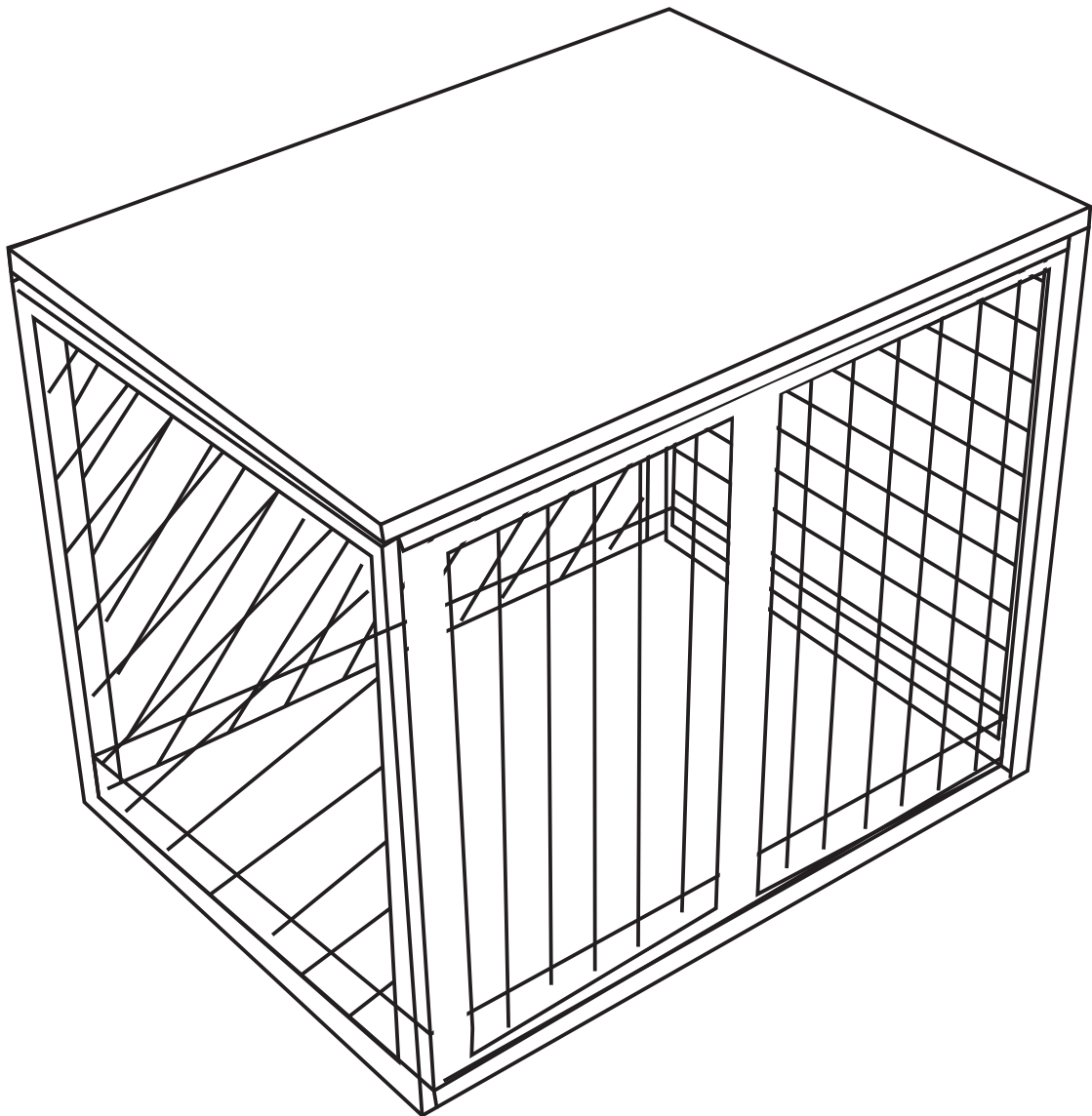


PawHut

INdkc003_GL

D02-058_D02-058V01

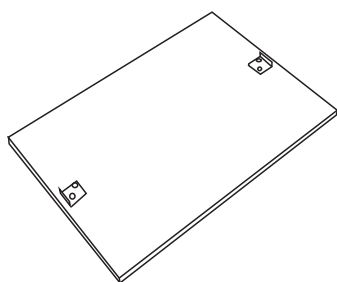


IMPORTANT, RETAIN FOR FUTURE REFERENCE: READ CAREFULLY

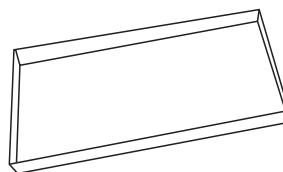
ASSEMBLY & INSTRUCTION MANUAL

PARTS

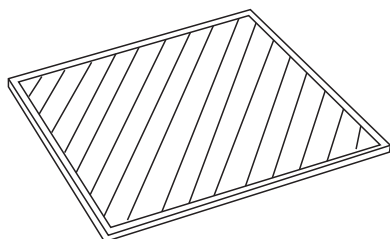
A x 1



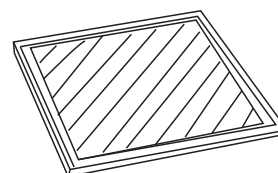
B x 1



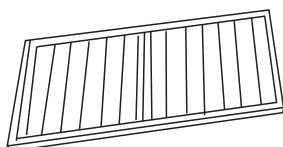
C x 1



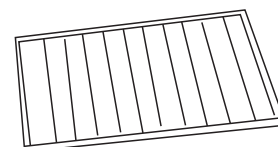
D x 1



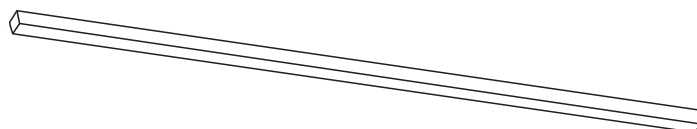
E x 1



F x 1

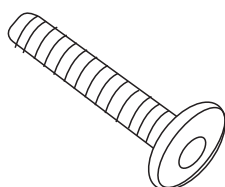


G x 3

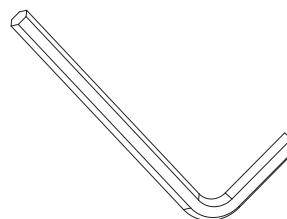


HARDWARE

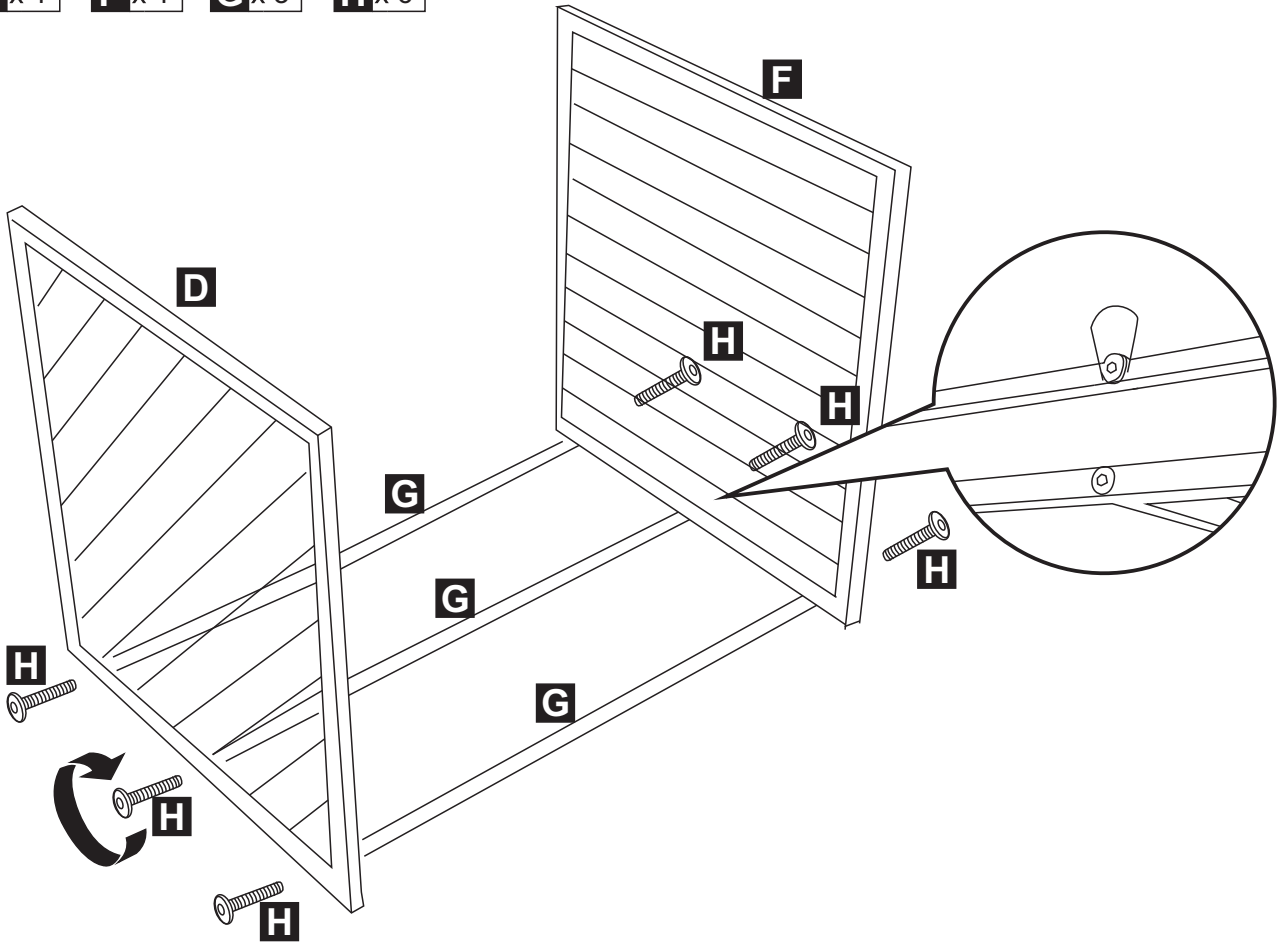
H x 16



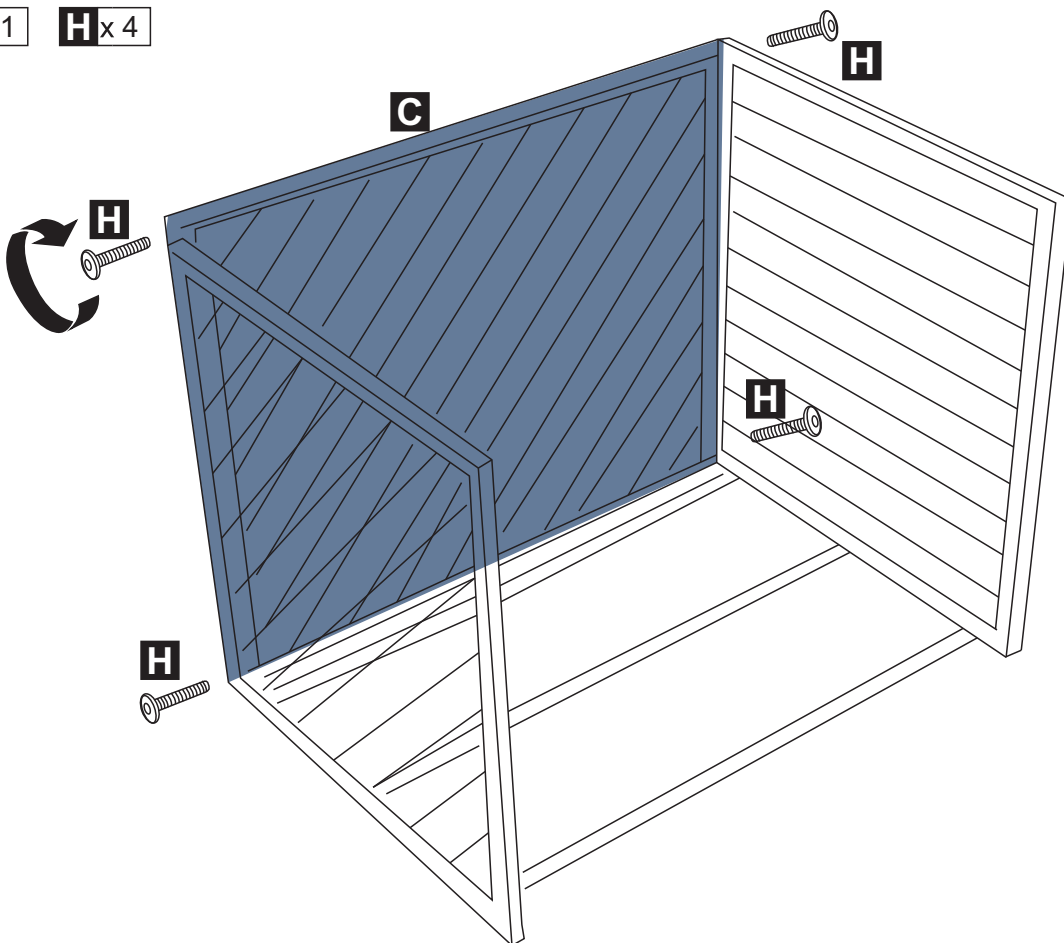
I x 1



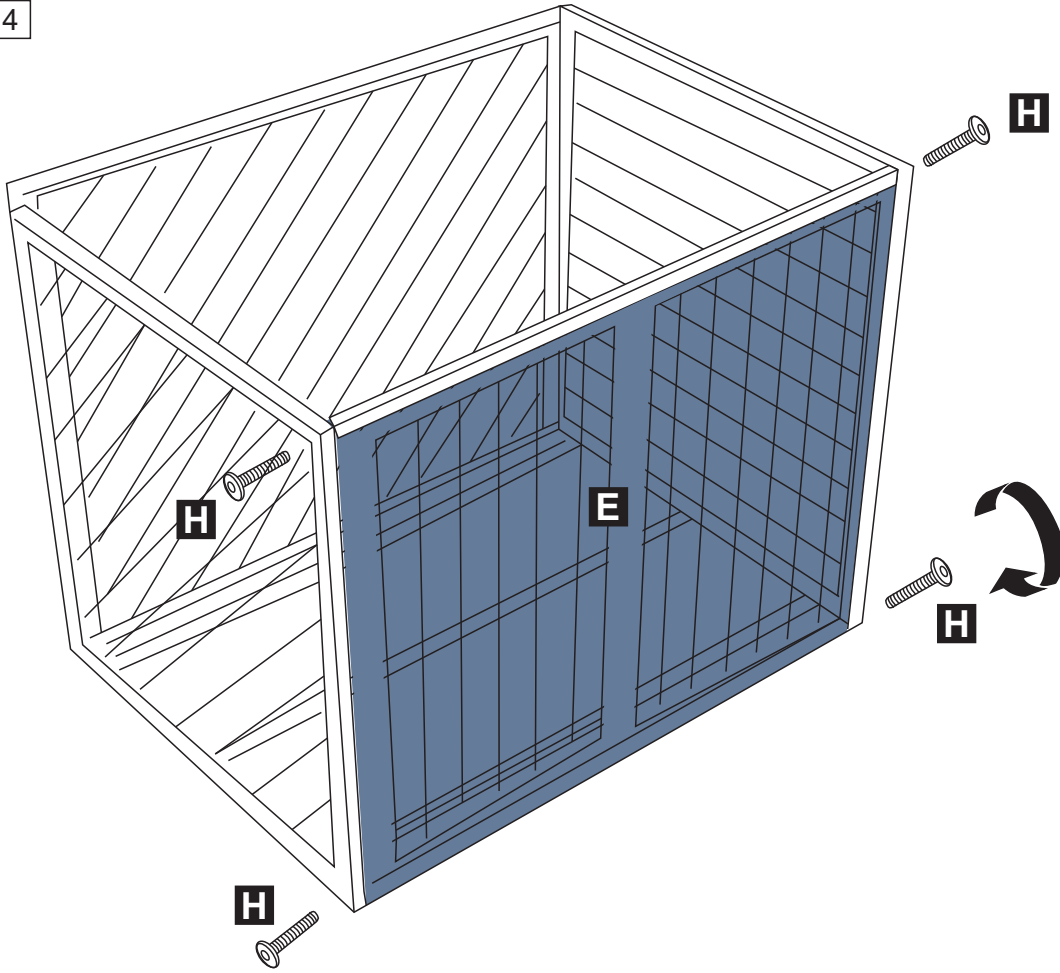
D x 1 F x 1 G x 3 H x 6



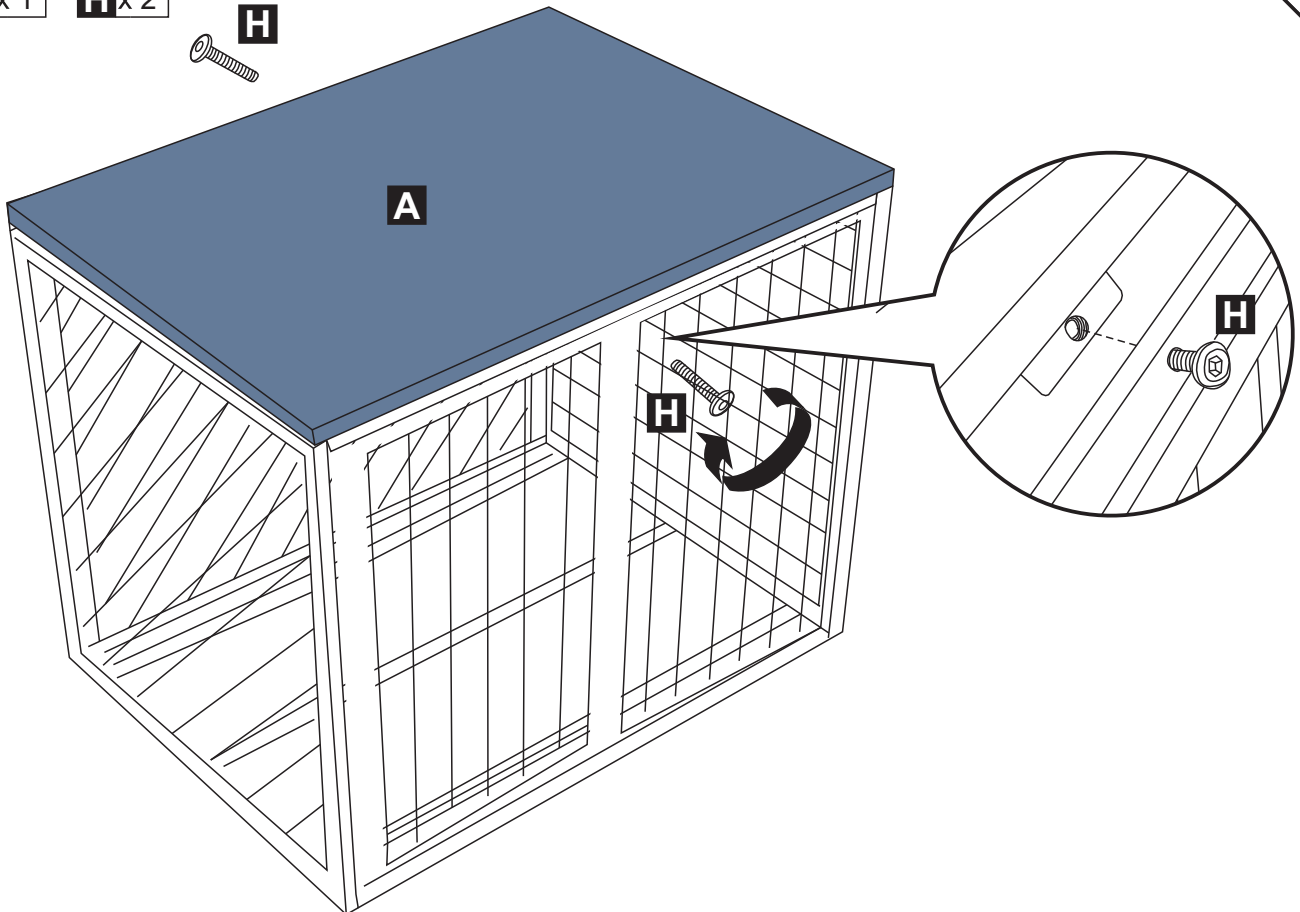
C x 1 H x 4



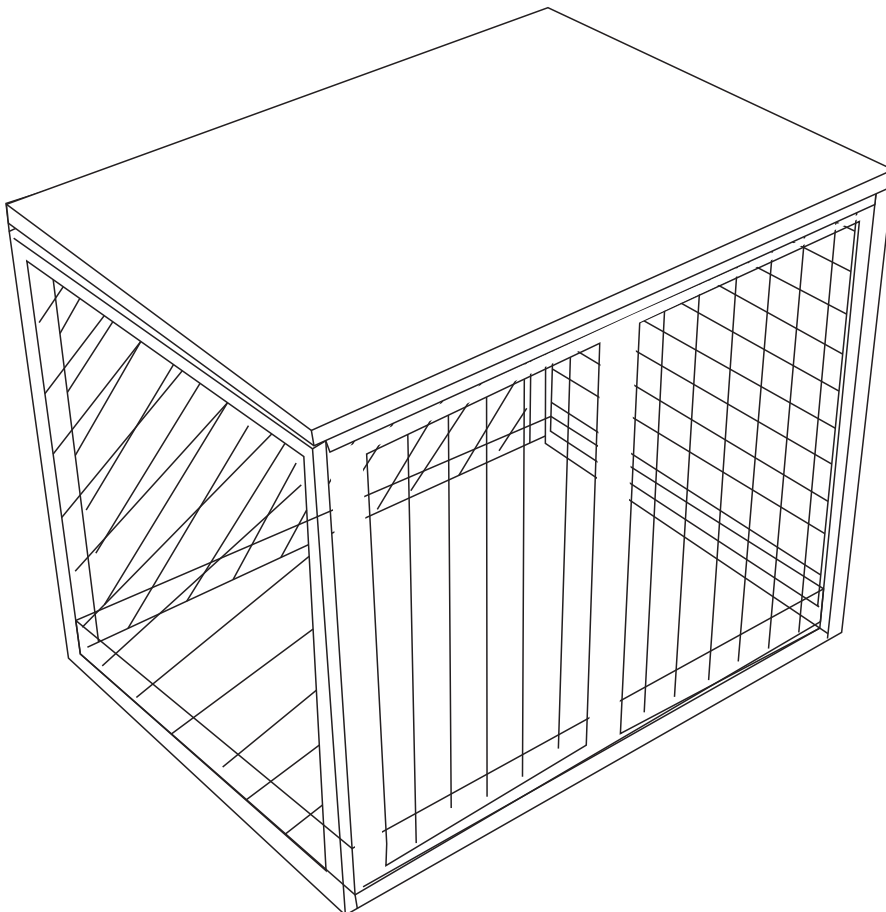
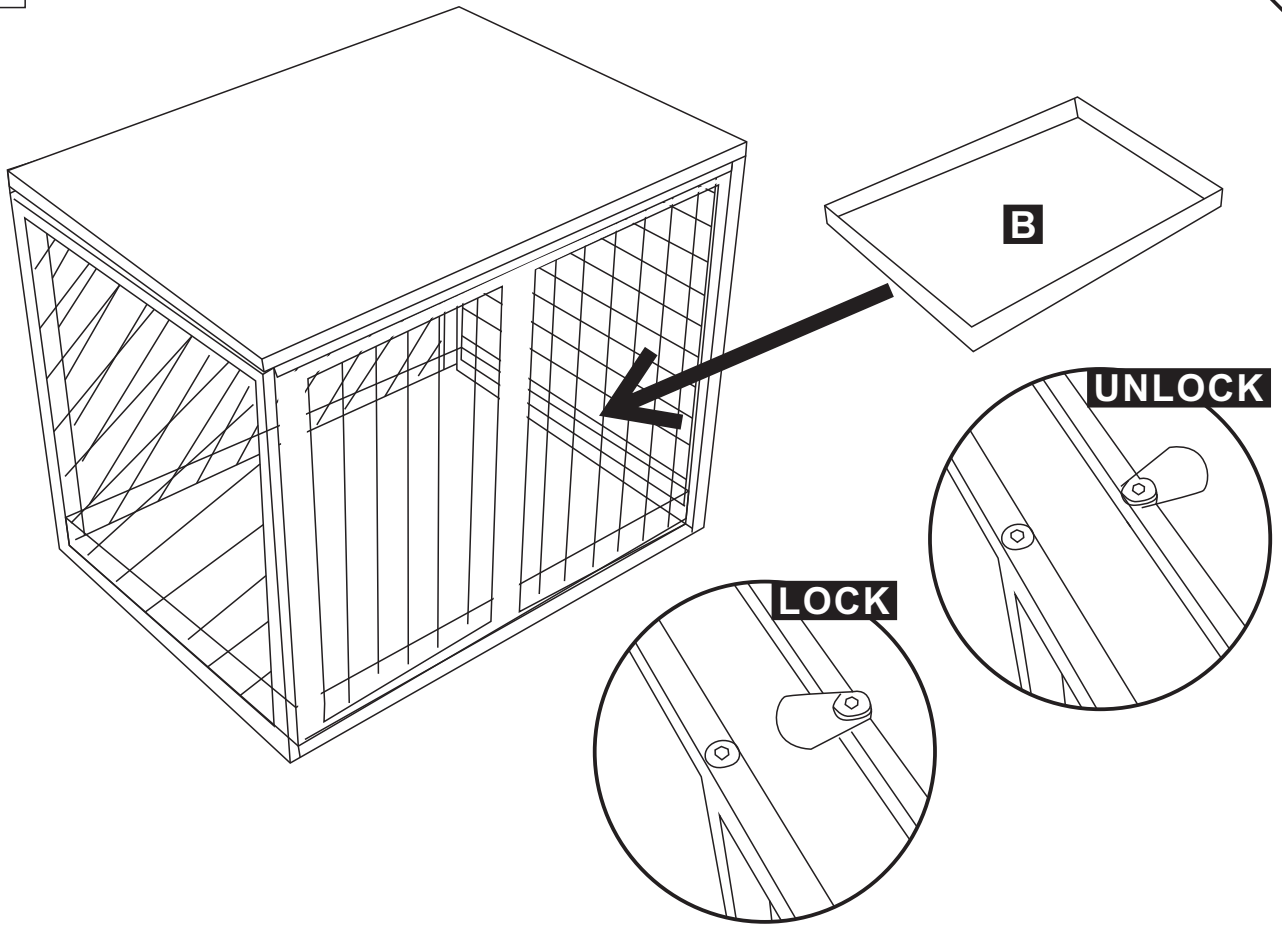
E x 1 **H** x 4



A x 1 **H** x 2



B x 1



US



001-877-644-9366
customerservice@aosom.com

CA



001-855-537-6088
customerservice@aosom.ca

UK



0044-800-240-4004
enquiries@mhstar.co.uk

DE



0049-(0)40-88307530
service@aosom.de

FR



0033-1-84166106
contact@aosom.fr

ES



0034-931294512
atencioncliente@aosom.es

IT



0039-0249471447
clienti@aosom.it