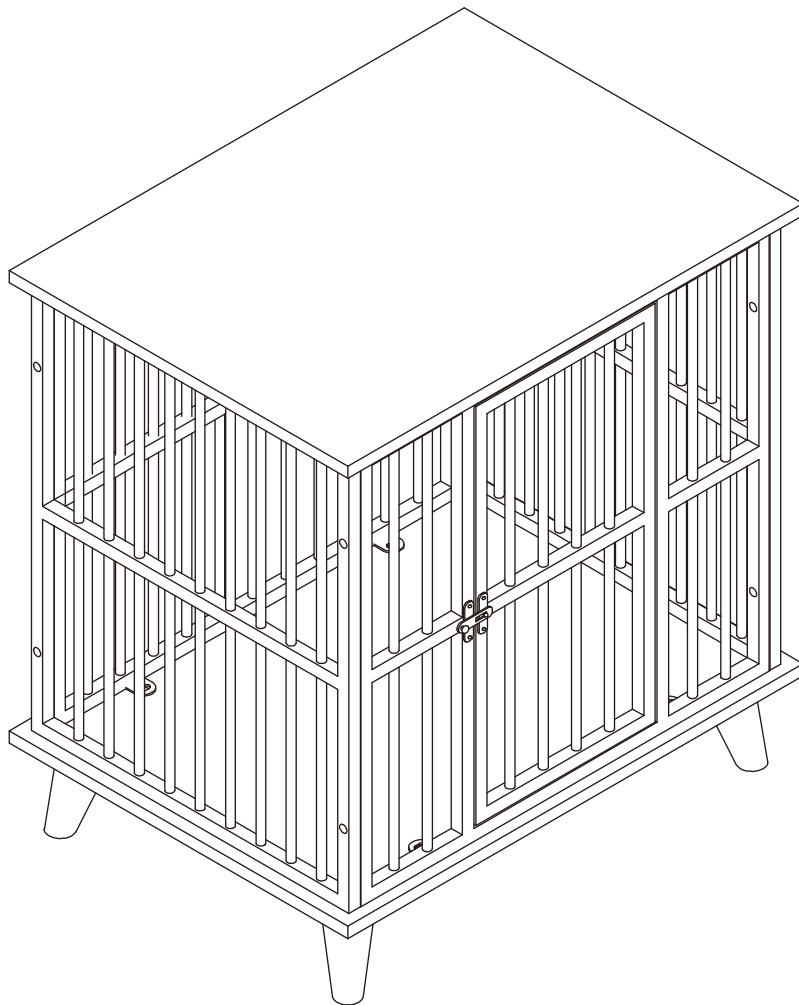


PawHut

INdkc006_GL

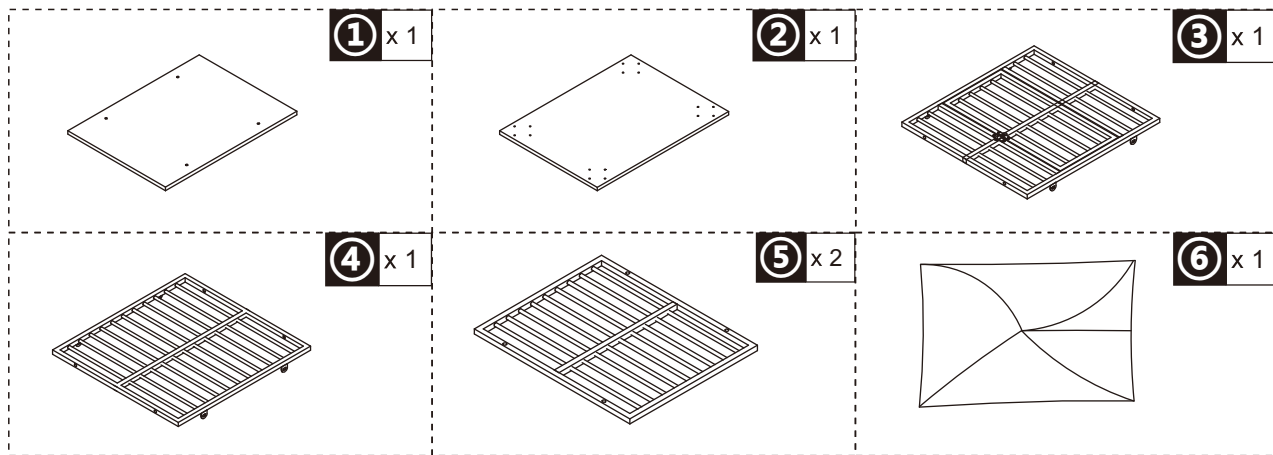
D02-069



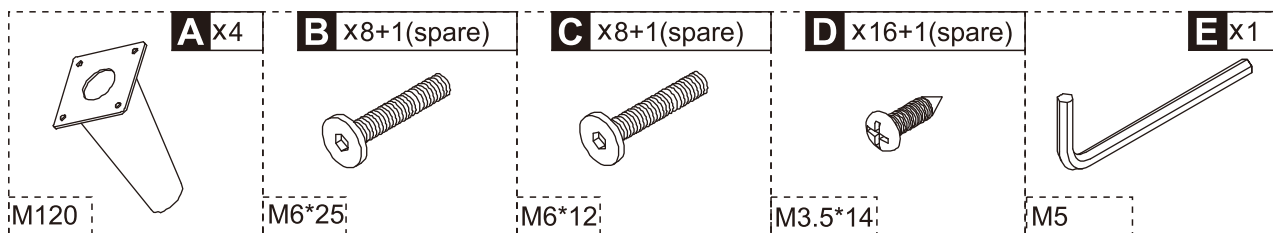
IMPORTANT, RETAIN FOR FUTURE REFERENCE: READ CAREFULLY

ASSEMBLY & INSTRUCTION MANUAL

PARTS

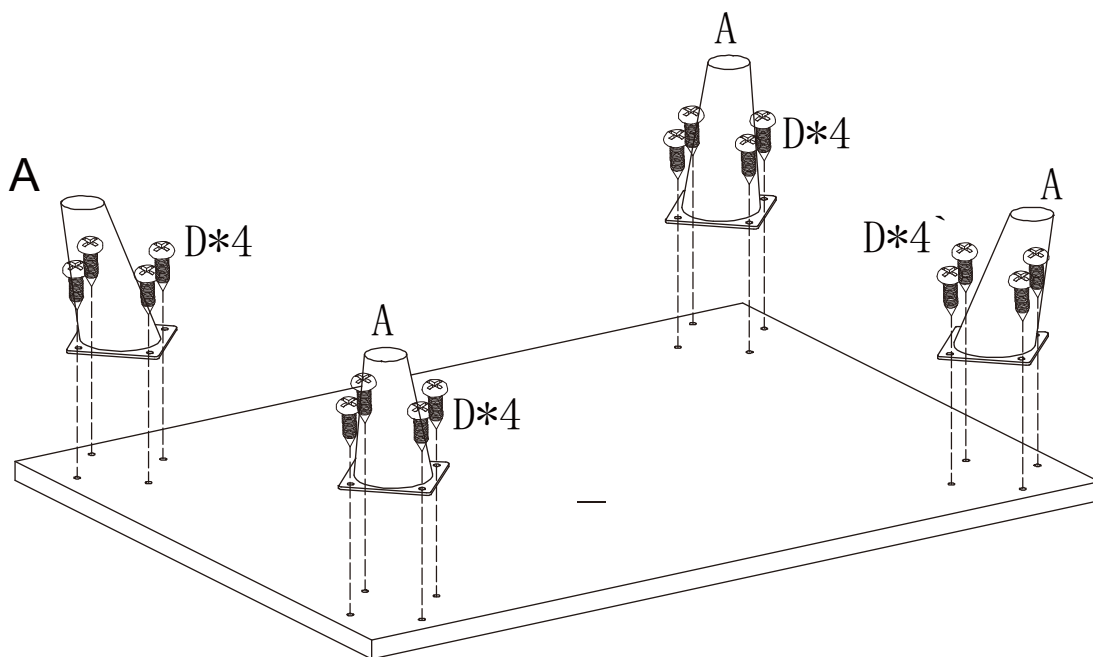


HARDWARE

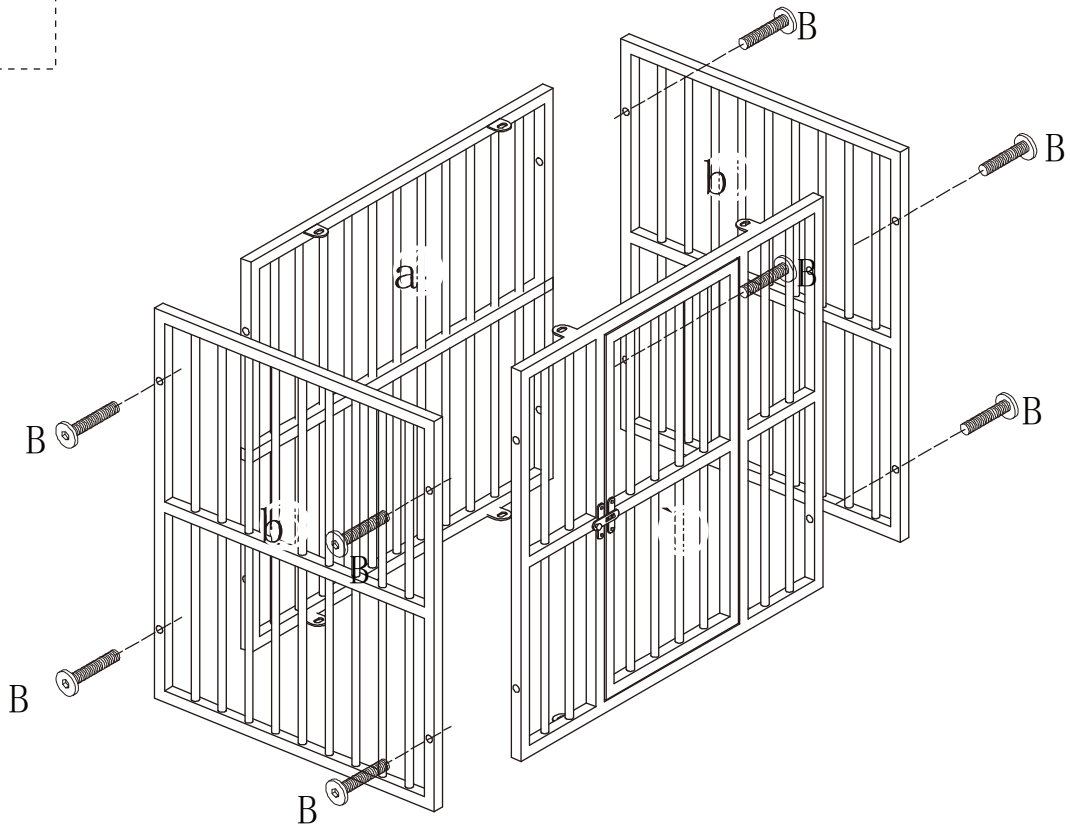


01

- Ax4
- Dx16



B8



C 8

