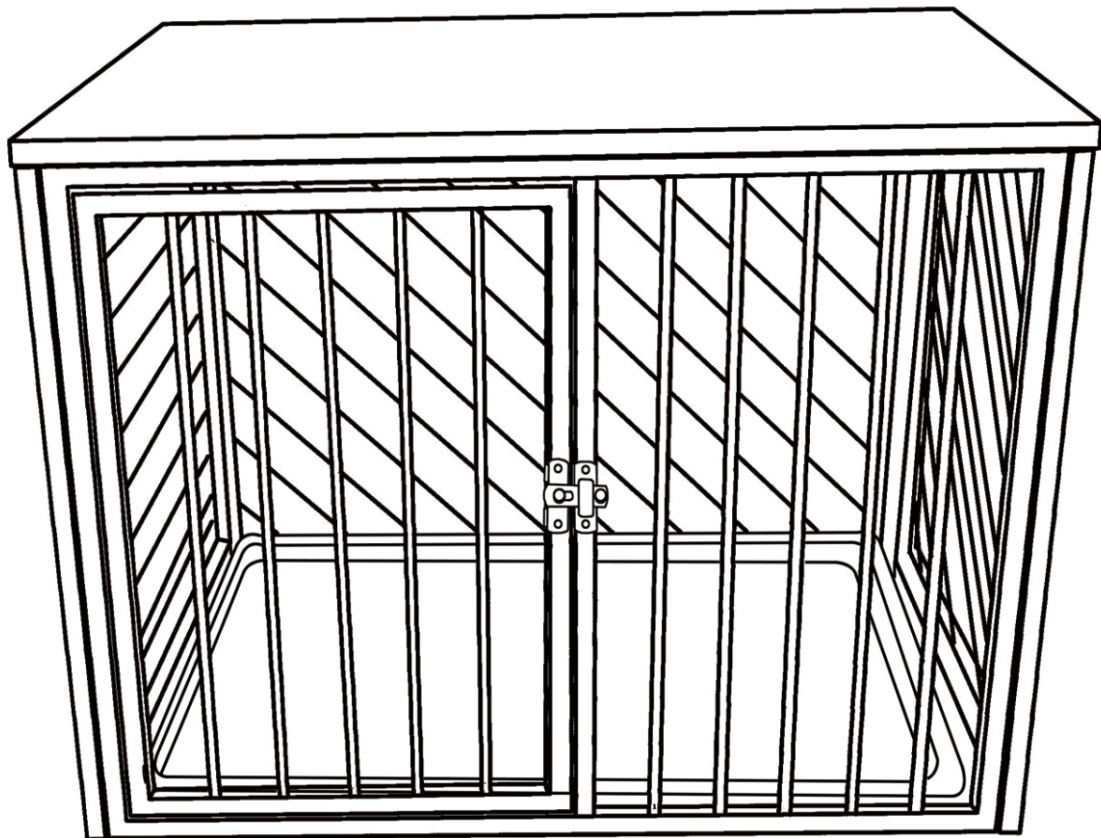


# PawHut

INdkc020\_GL

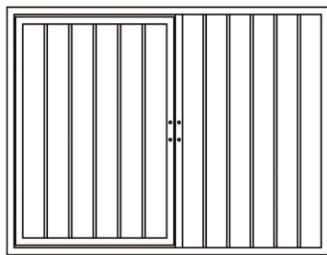
**D02-058V03**



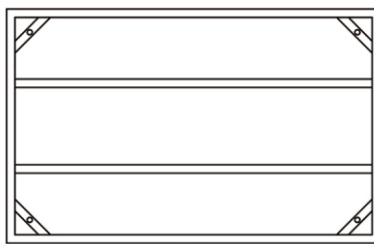
IMPORTANT, RETAIN FOR FUTURE REFERENCE: READ CAREFULLY

## ASSEMBLY & INSTRUCTION MANUAL

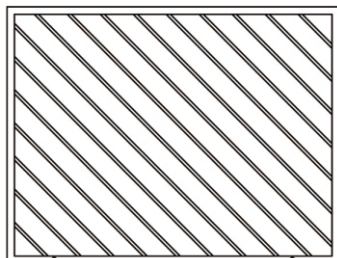
**PARTS**



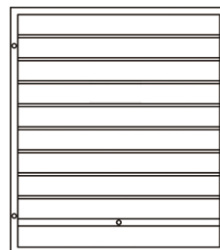
**A** x 1



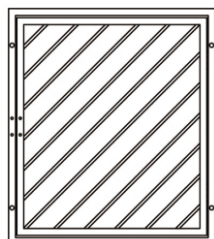
**B** x 1



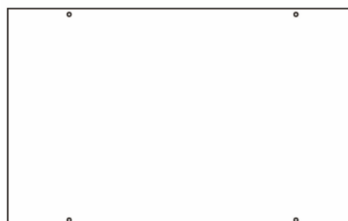
**C** x 2



**D** x 1



**E** x 1

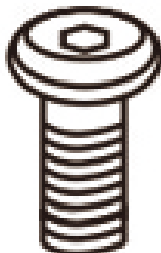


**F** x 1

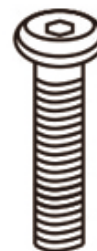
**HARDWARE**



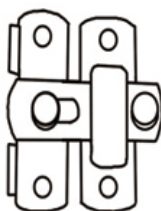
**1** x 8  
M4\*12  
+1(spare)



**2** x 1  
M6\*10



**3** x 16  
M6\*10  
+1(spare)



**4** x 2



**5** x 1



**6** x 4  
M6\*15



**7** x 1  
410\*615



**8** x 1

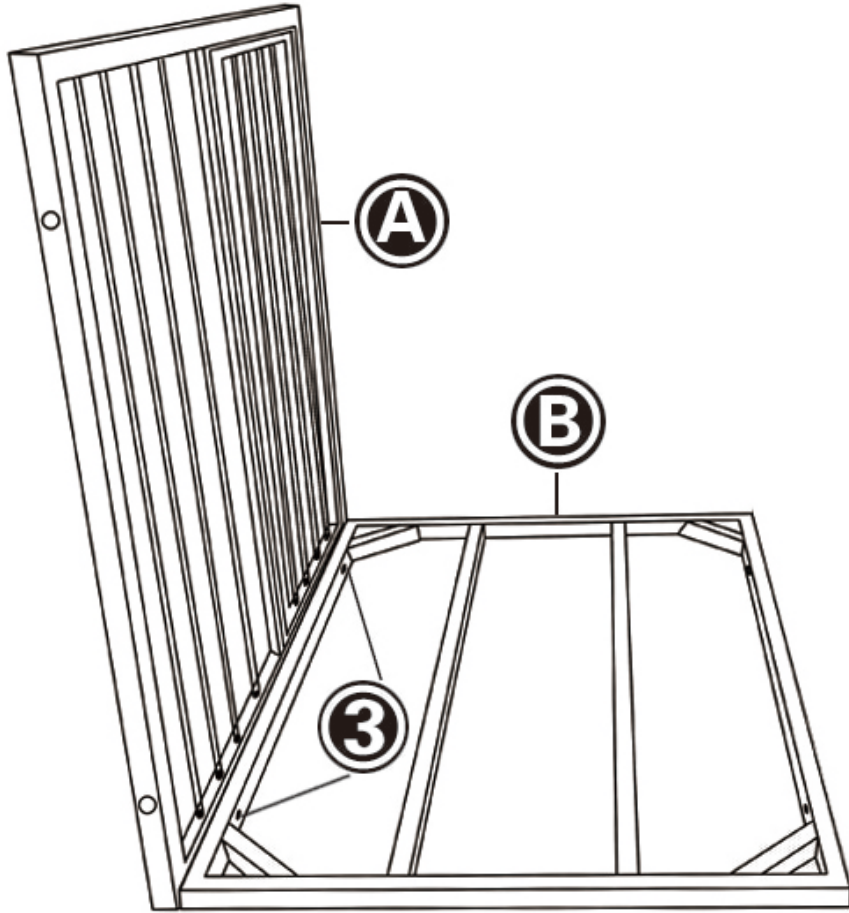


**9** x 1

**A** x 1

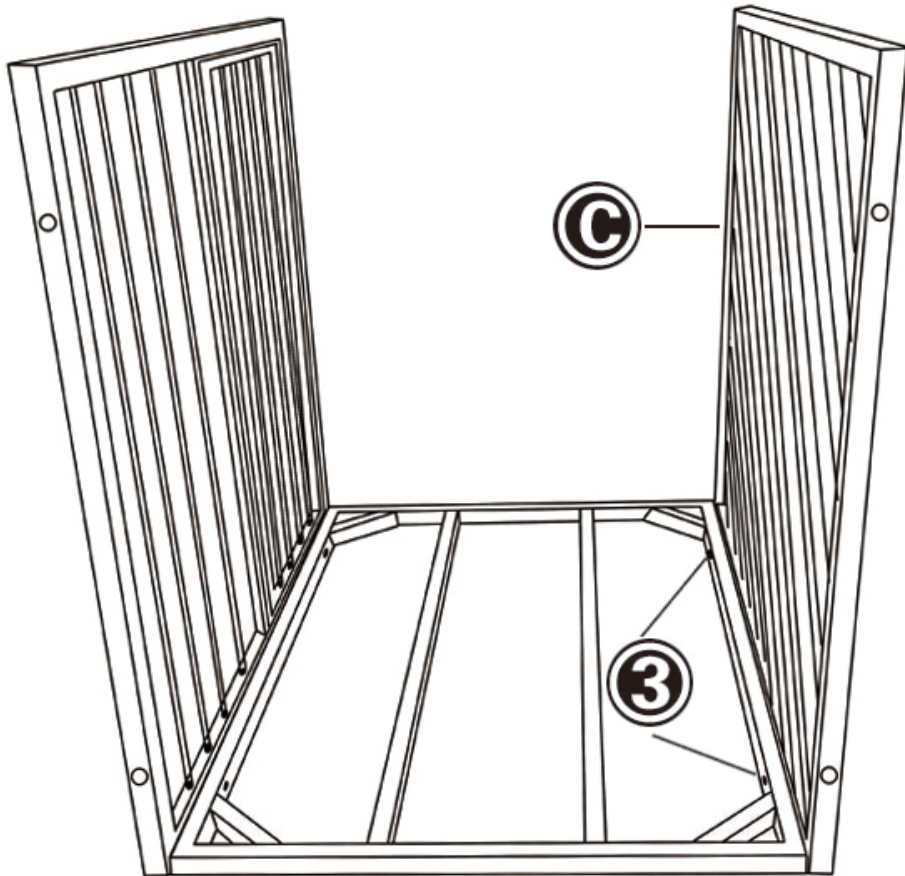
**B** x 1

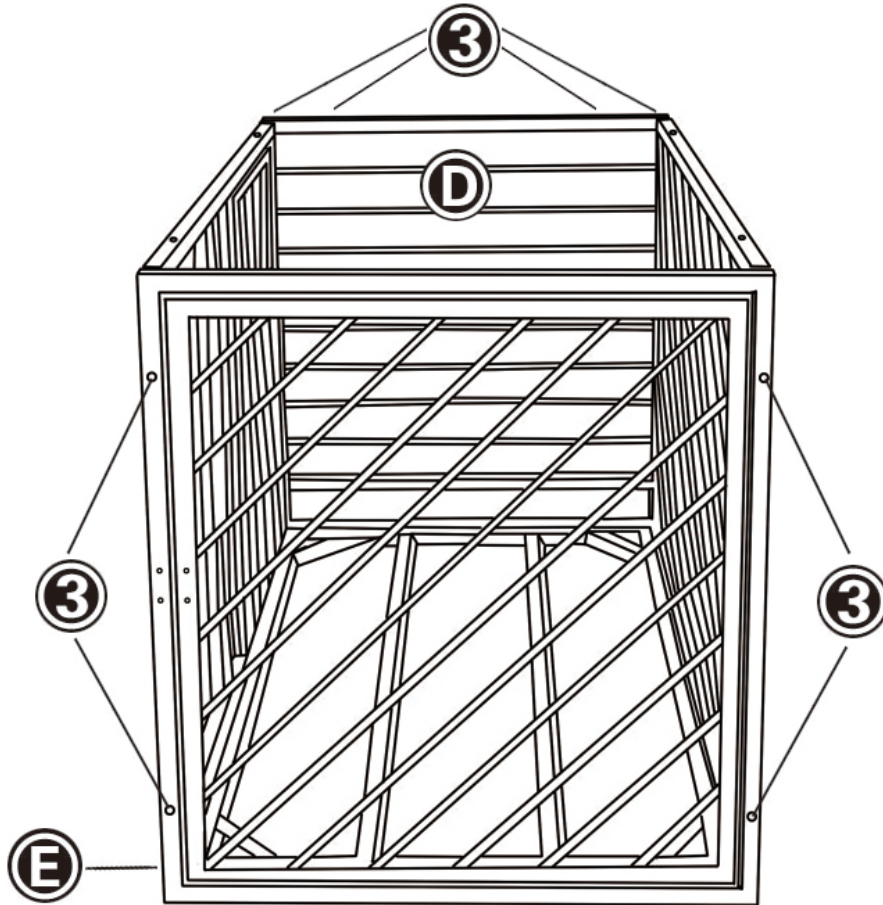
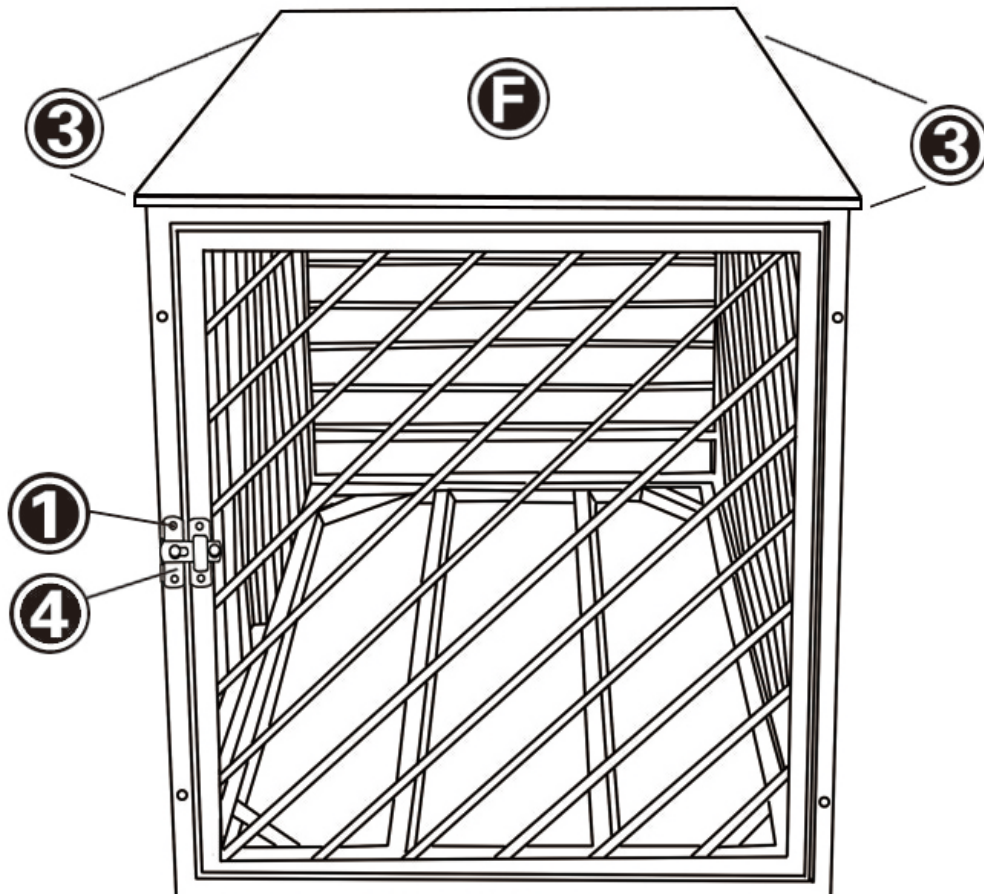
**3** x 2  
M6\*10



**C** x 1

**3** x 2  
M6\*10



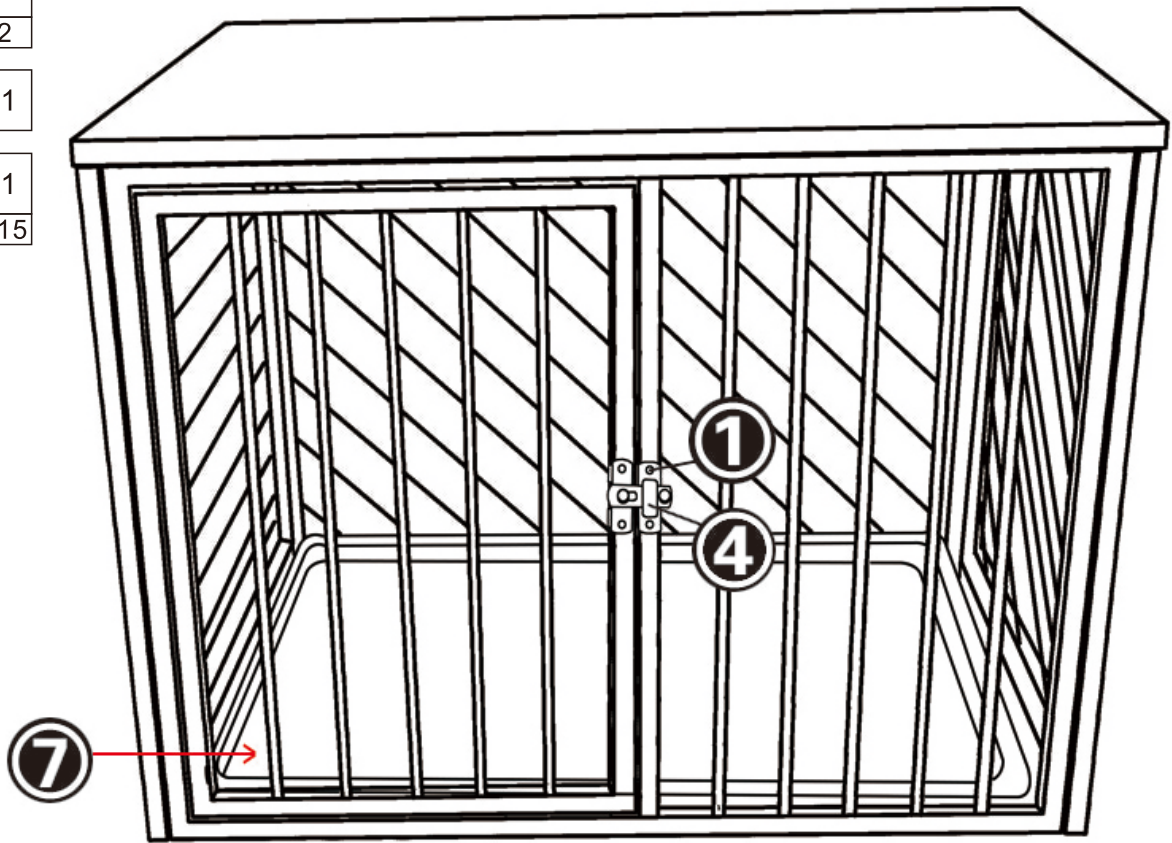
**D** x 1**E** x 1**3** x 8  
M6\*10**F** x 1**1** x 4  
M4\*12**3** x 4  
M6\*10**4** x 1



① x 4  
M4\*12

④ x 1

⑦ x 1  
410\*615



② x 1  
M6\*10

⑤ x 1

⑥ x 4  
M6\*15

