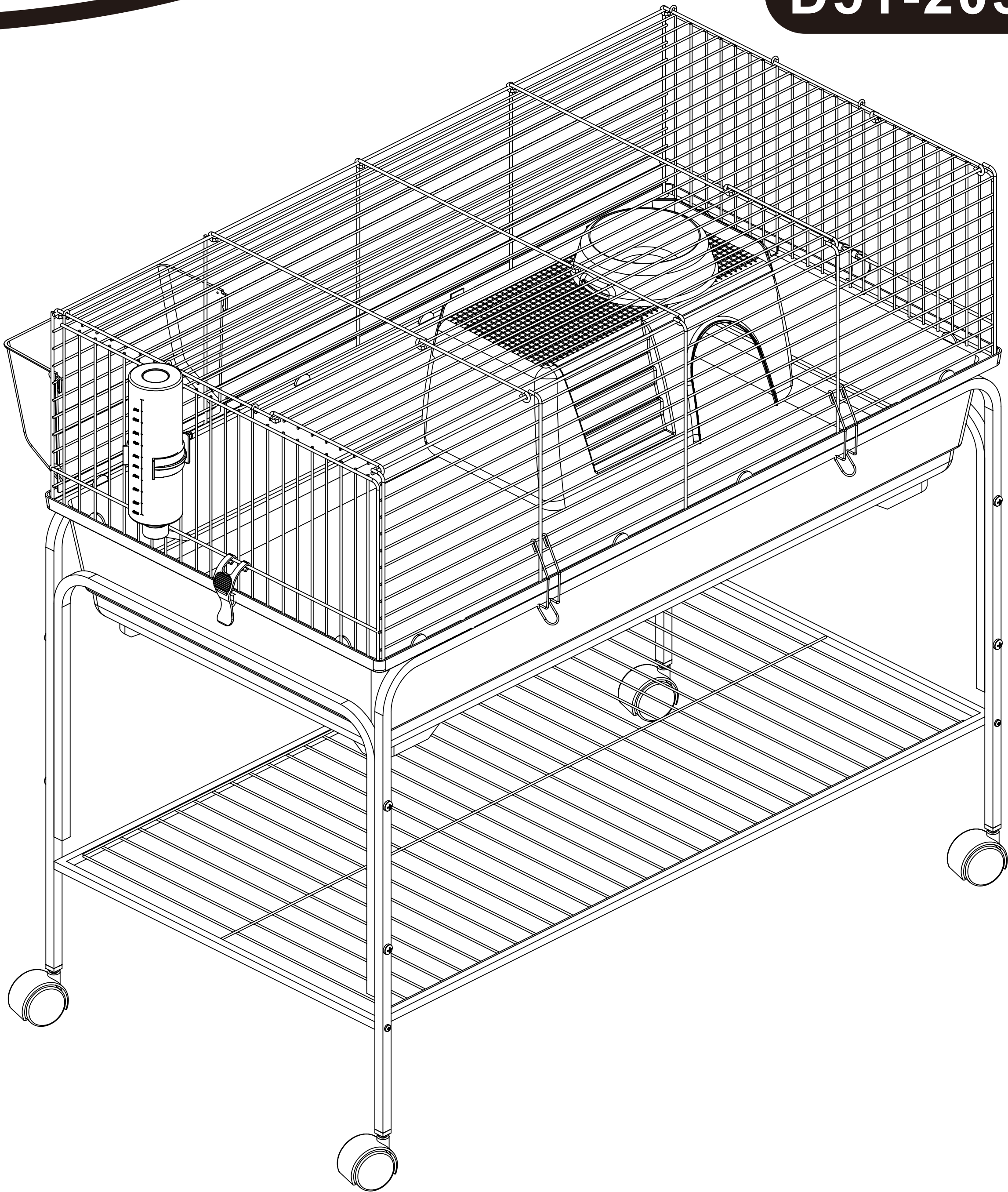


PawHut

INdlb006_GL

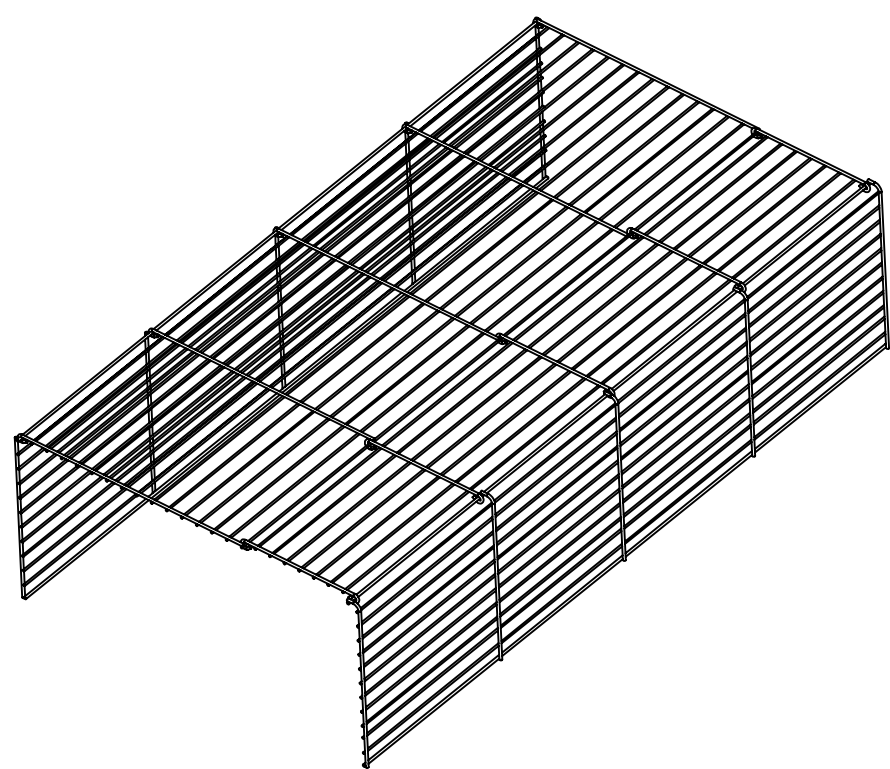
D51-203V01



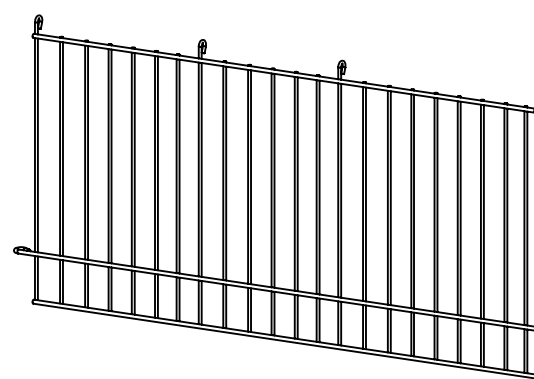
READ AND SAVE THIS INSTRUCTION FOR FUTURE USE

ASSEMBLY INSTRUCTION

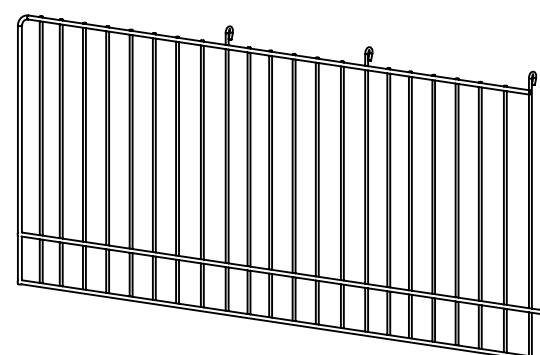
A x 1



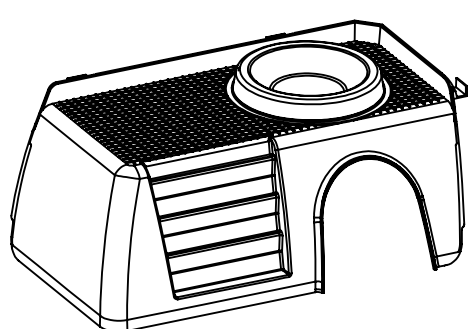
B x 1



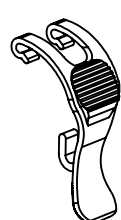
C x 1



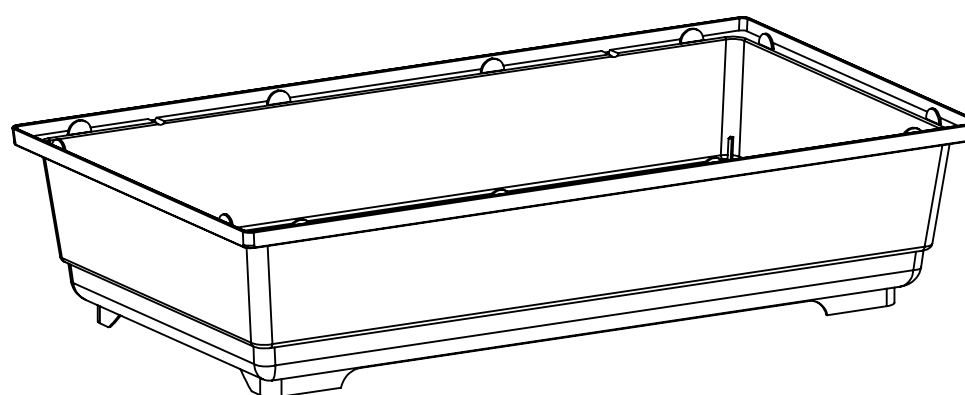
D x 1



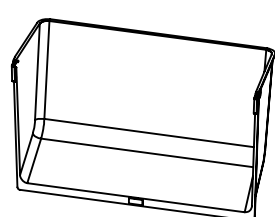
E x 4



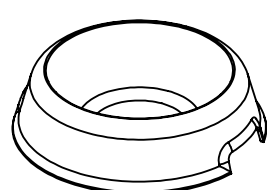
F x 1



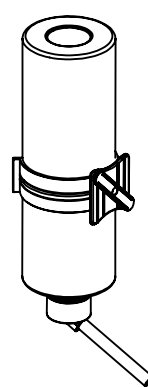
G x 1



H x 1



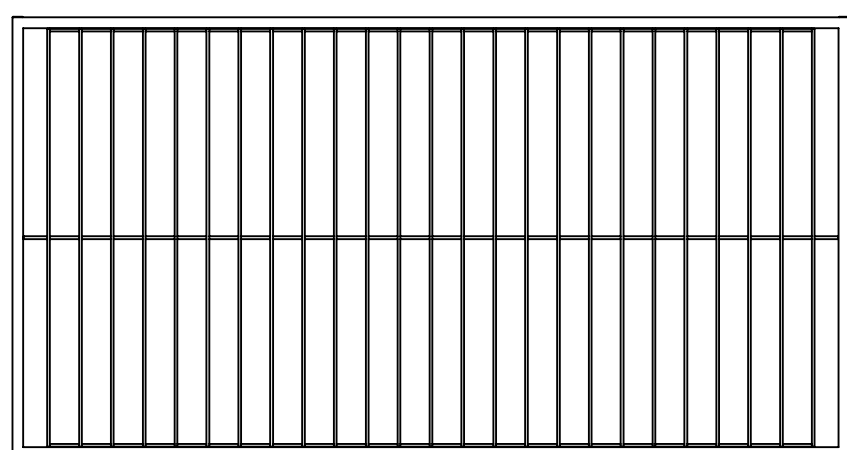
I x 1



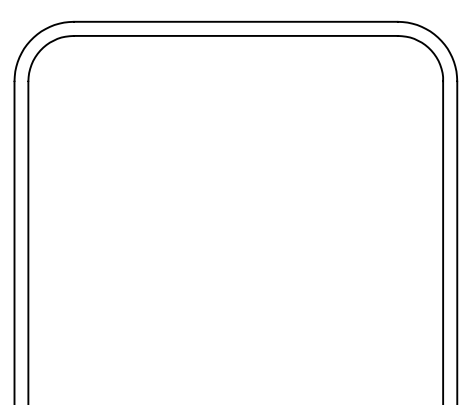
J x 1



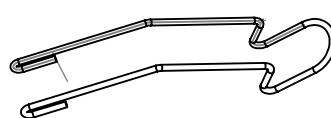
K x 1



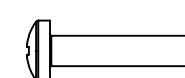
L x 2



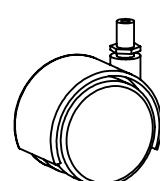
M x 2



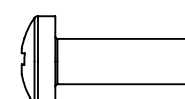
N x 4

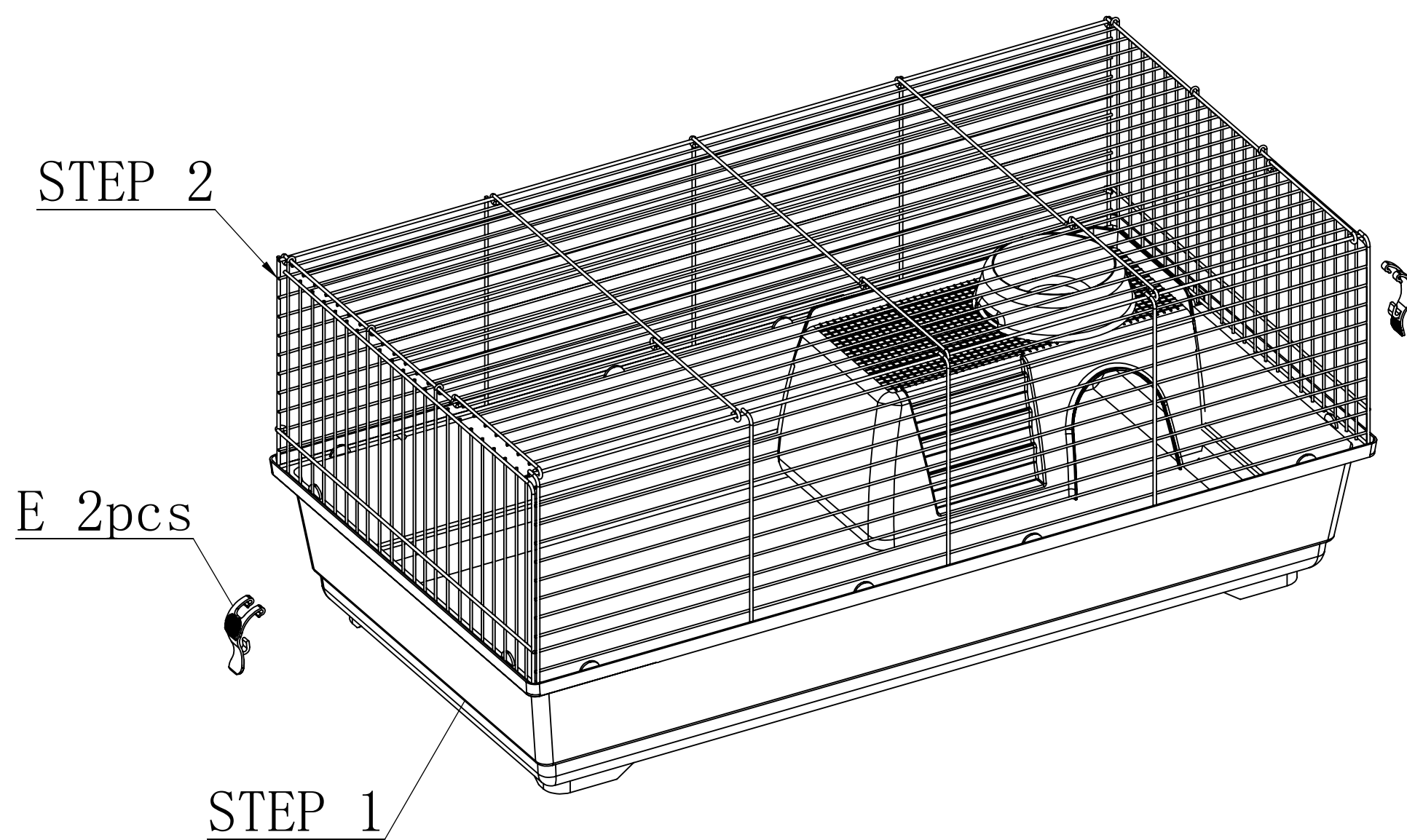
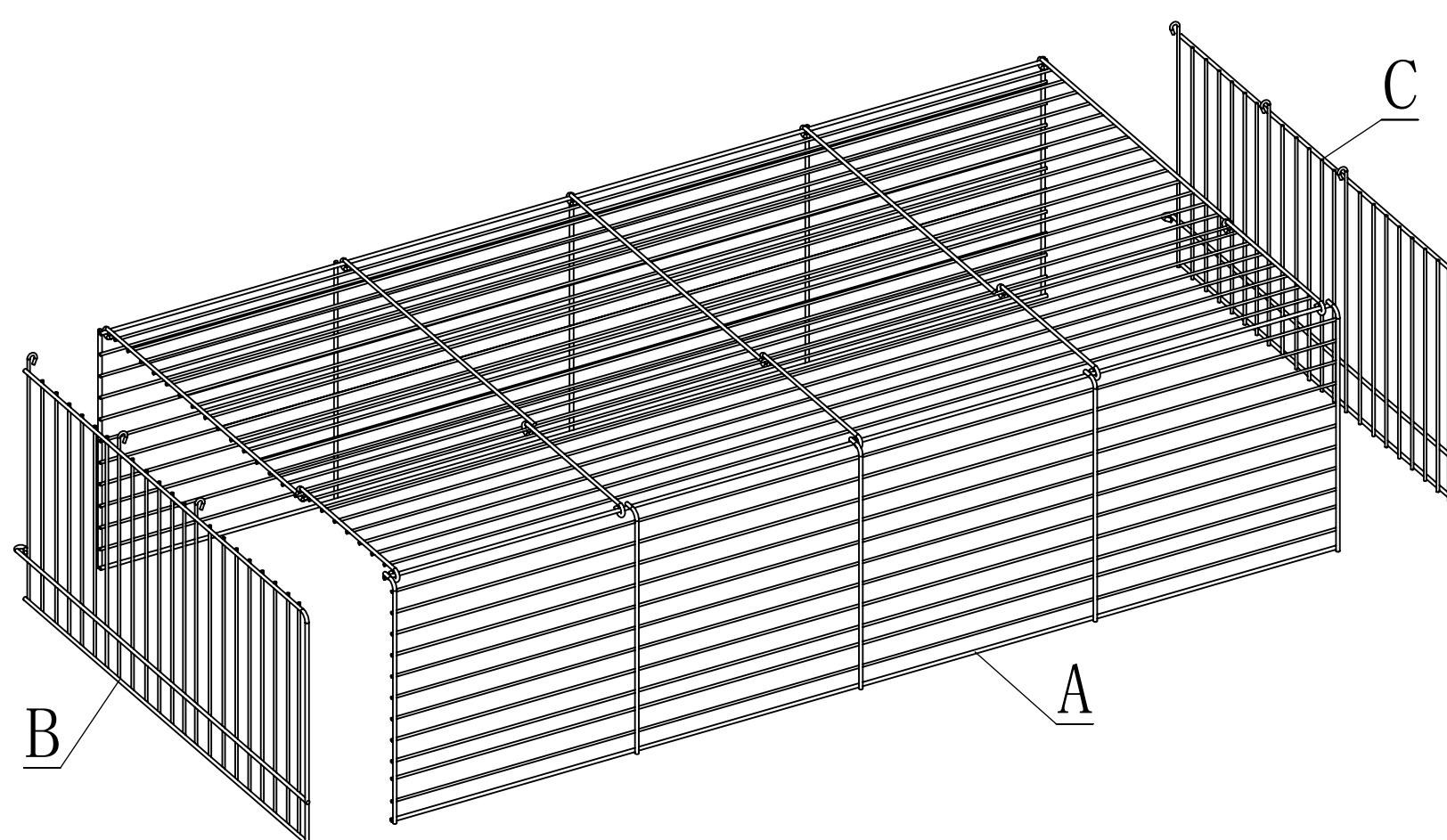
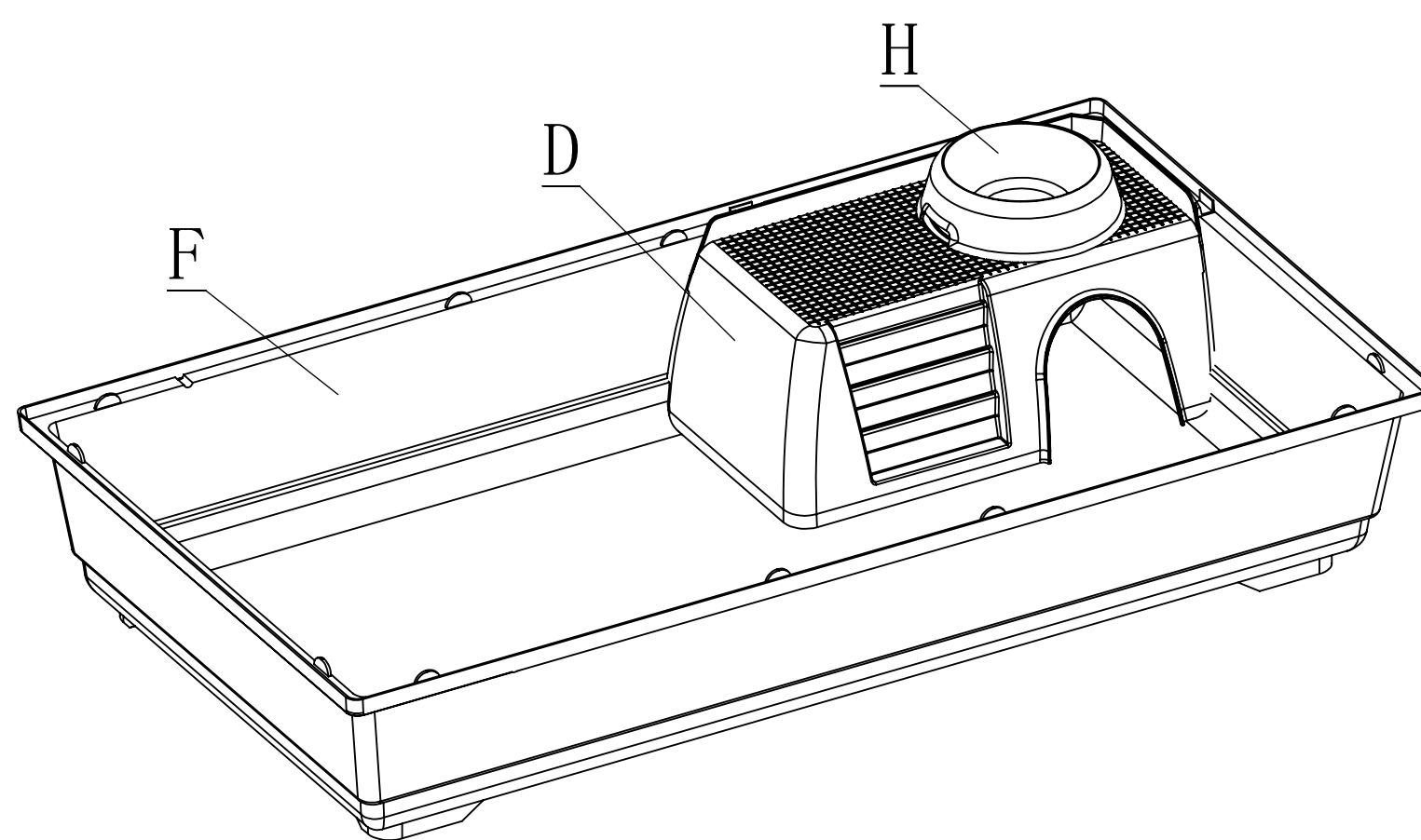


O x 4

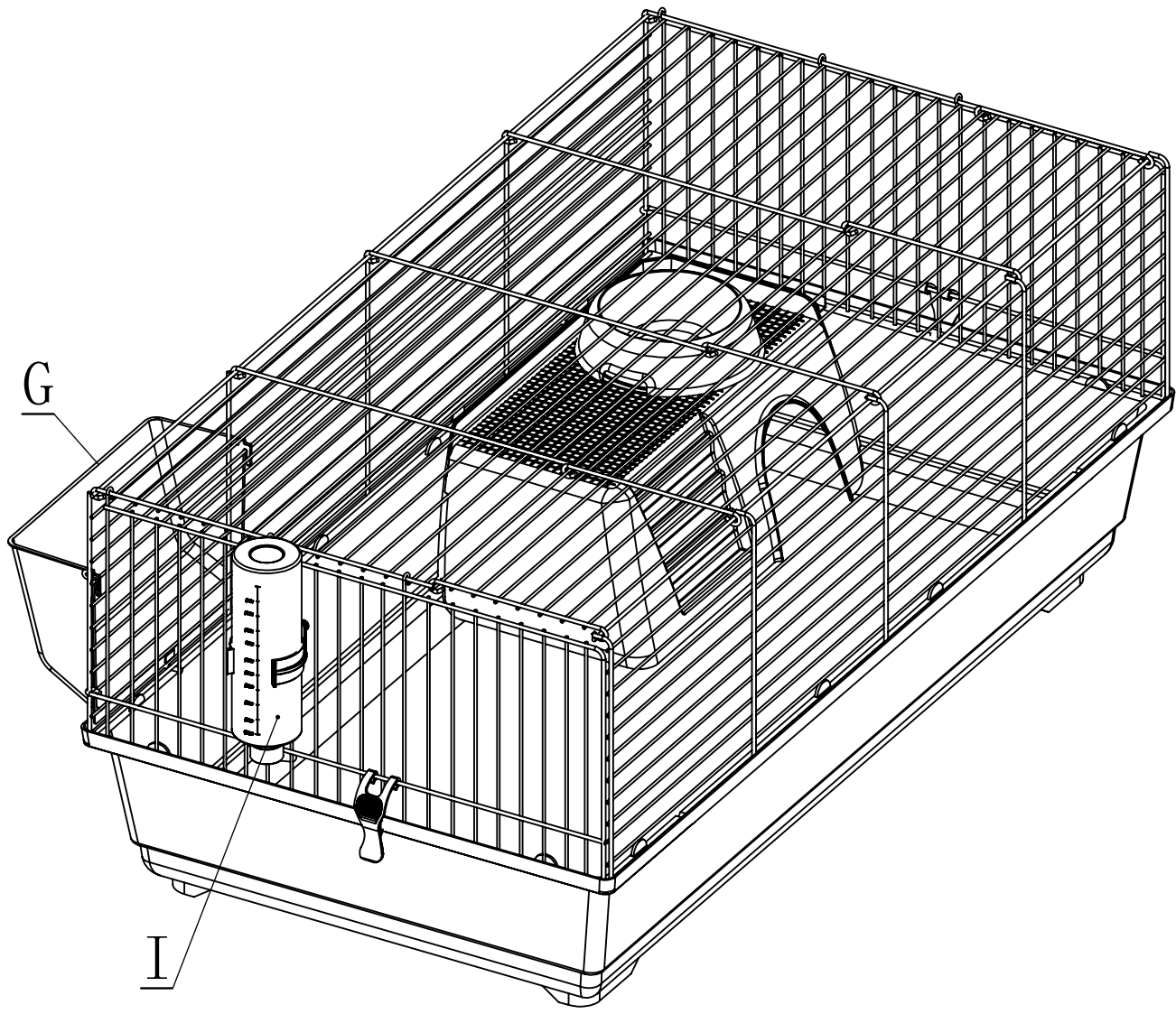


P x 8

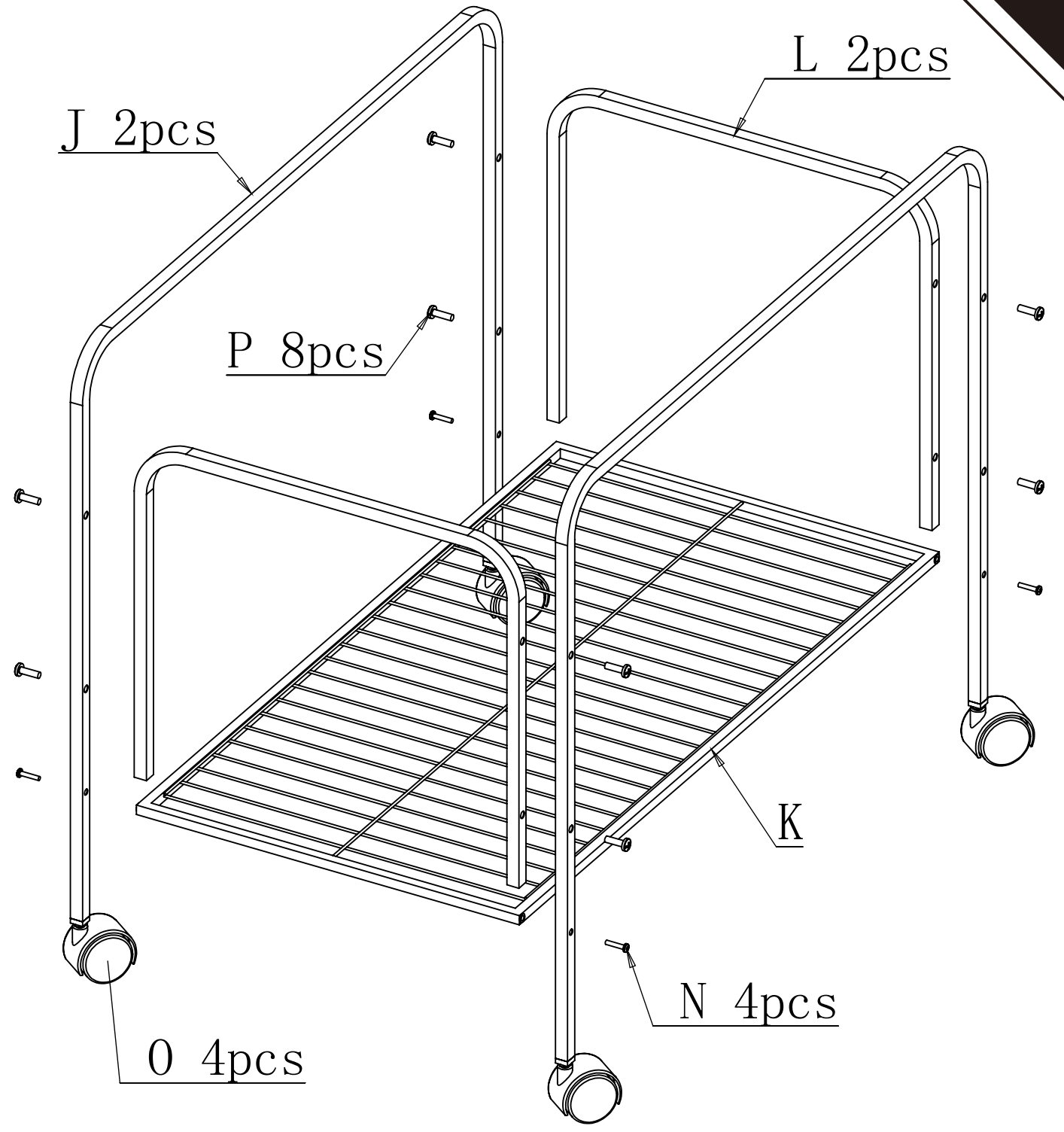




04



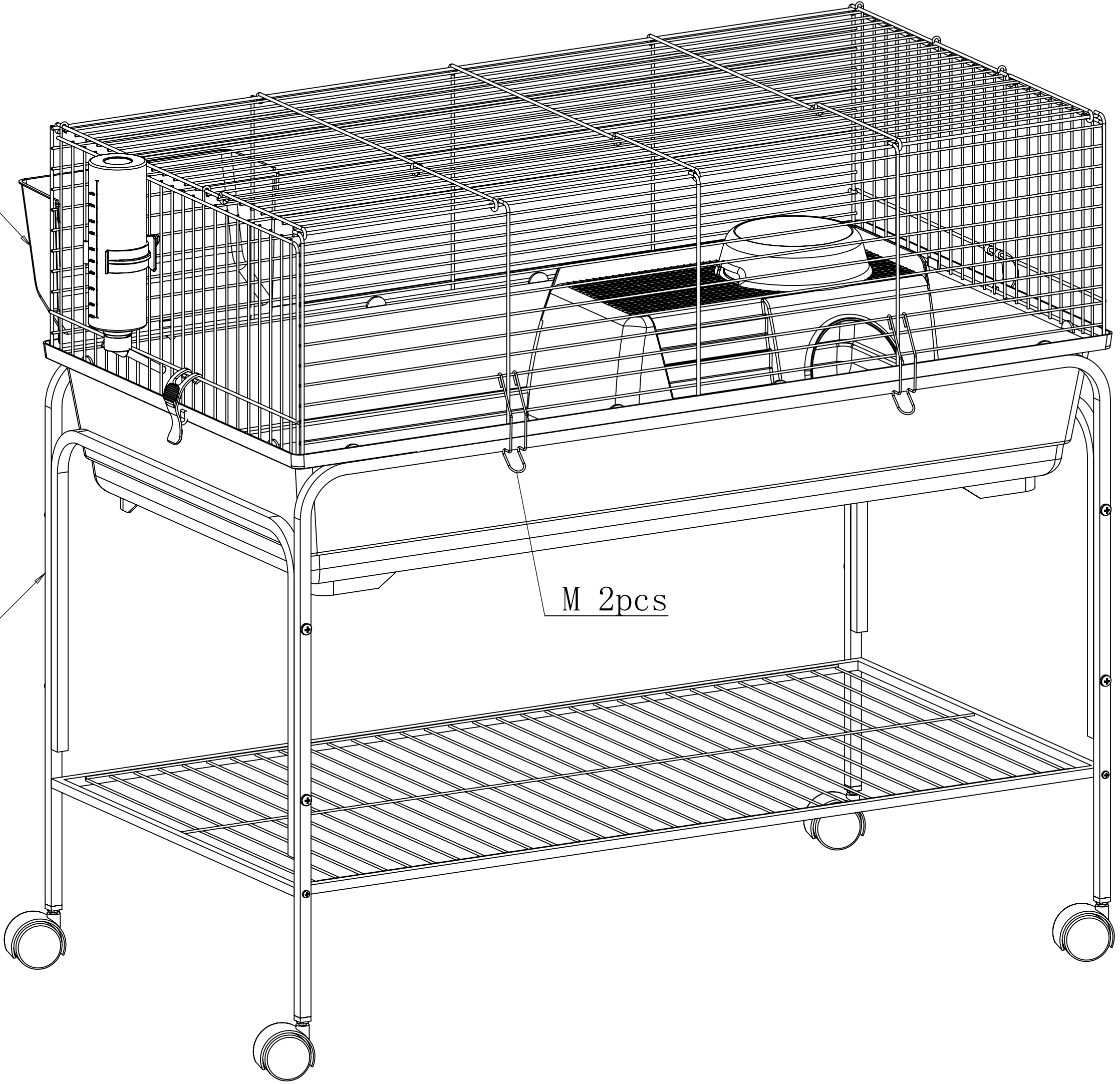
05



06

STEP 4

STEP 5



US



001-877-644-9366
customerservice@aosom.com

CA



001-855-537-6088
customerservice@aosom.ca

UK



0044-800-240-4004
enquiries@mhstar.co.uk

DE



0049-(0)40-88307530
service@aosom.de

FR



0033-1-84166106
contact@aosom.fr

ES



0034-931294512
atencioncliente@aosom.es

IT



0039-0249471447
clienti@aosom.it