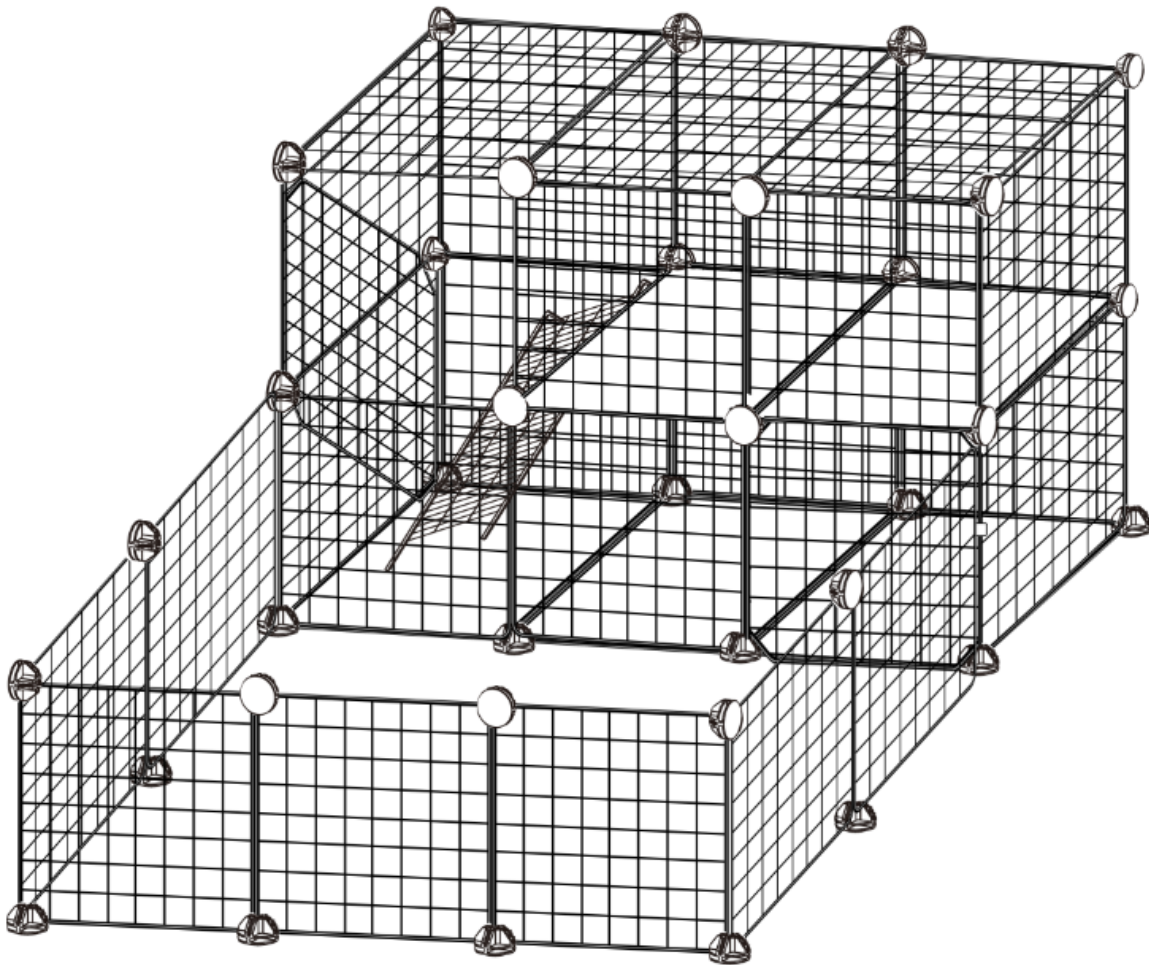


PawHut

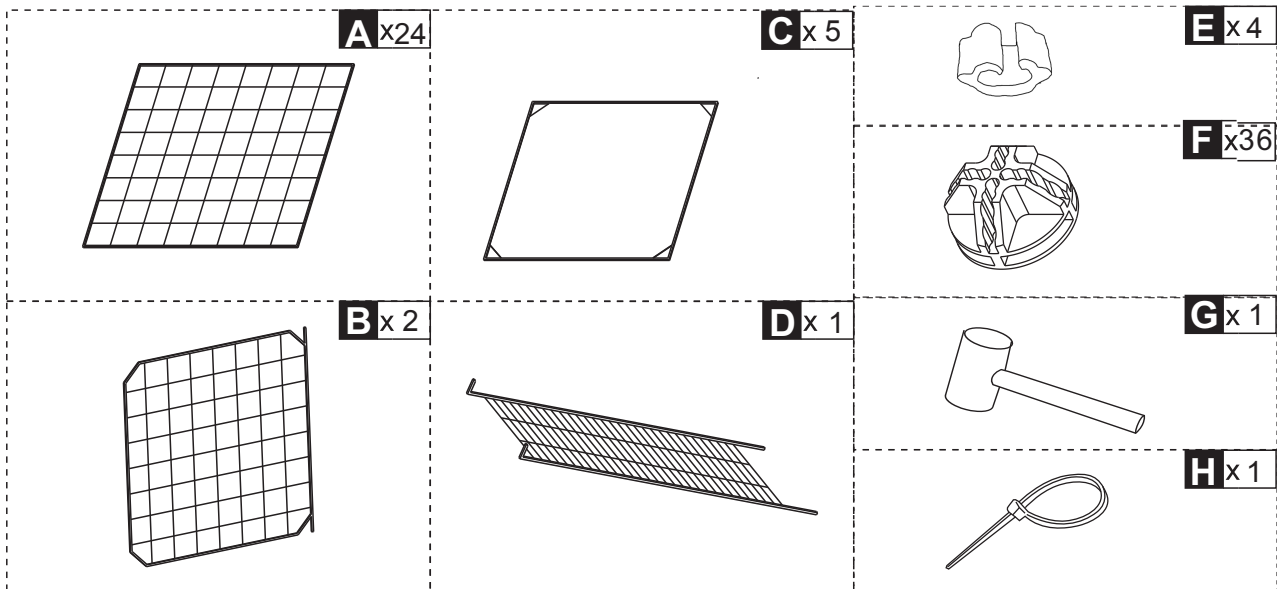
INdlb019_GL

D51-255

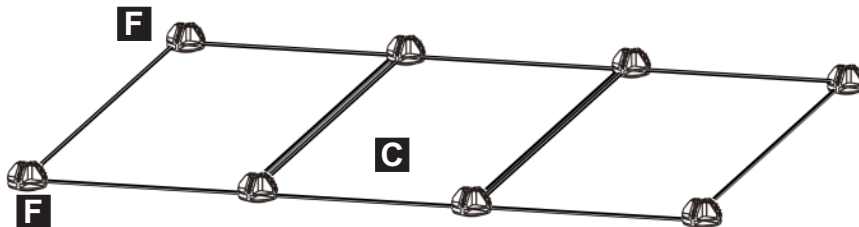


READ AND SAVE THIS INSTRUCTIONS FOR FUTURE USE

ASSEMBLY & INSTRUCTION MANUAL

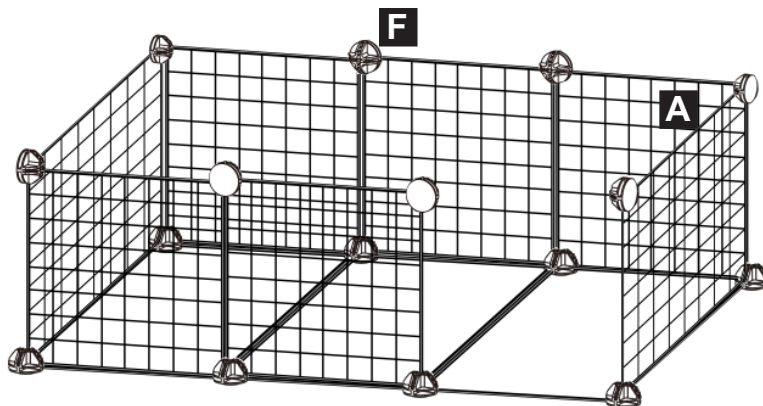


C x 3
F x 8



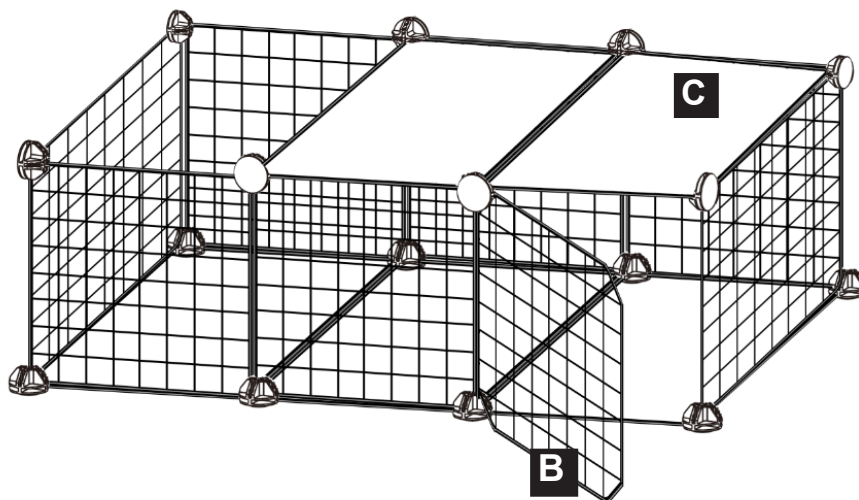
01

A x 7
F x 8



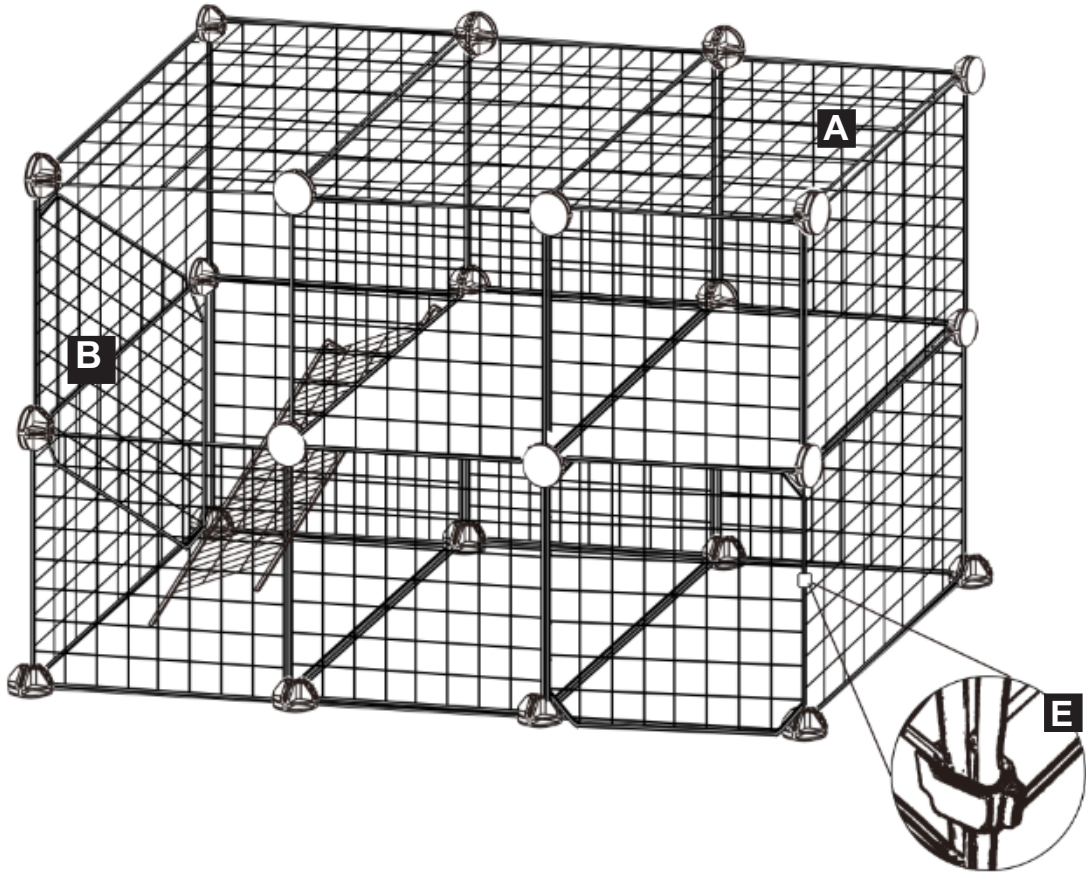
02

B x 1
C x 2



03

- A x 10
- B x 1
- D x 1
- E x 2
- F x 8



- A x 7
- F x 12

