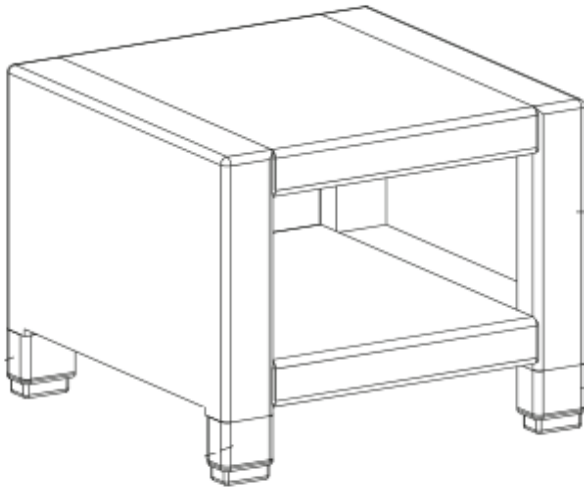


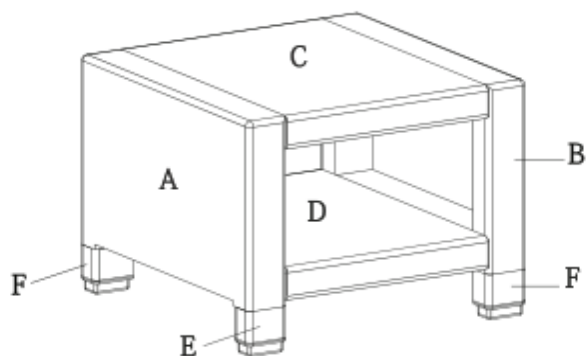


84B-162

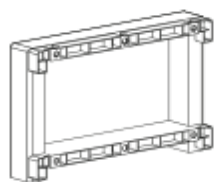


ASSEMBLY INSTRUCTIONS

Pre-Assembly and parts list

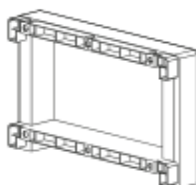


A



1PC

B



1PC

C



1PC

D



1PC

E



2PCS

F



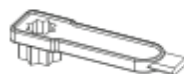
2PCS

G



12PCS

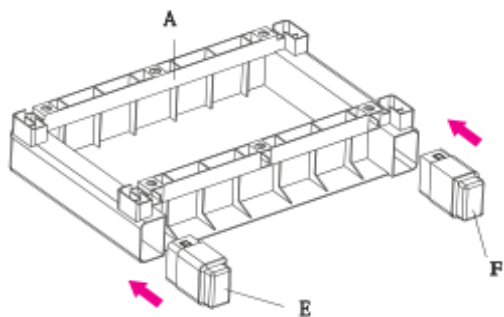
H



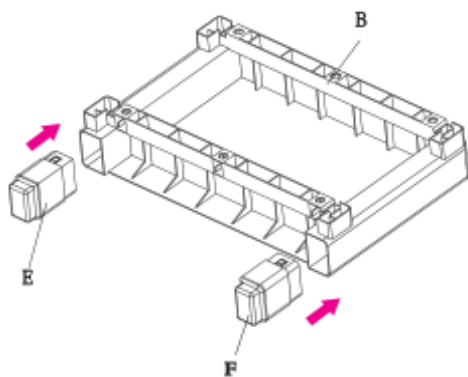
1PC

Assembly

Step 1.

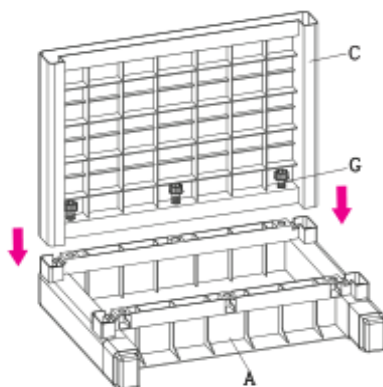


Step 2.



Step 3.


J=3PCS

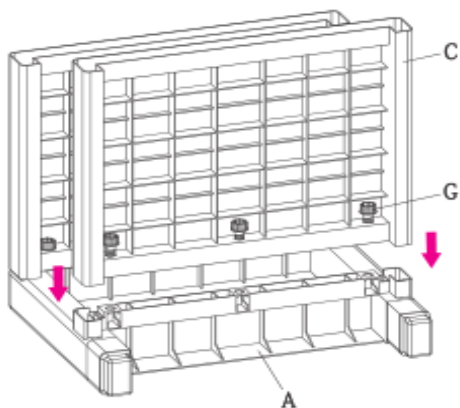


Assembly

Step 4.



J=3PCS



Step 5.



J=6PCS

