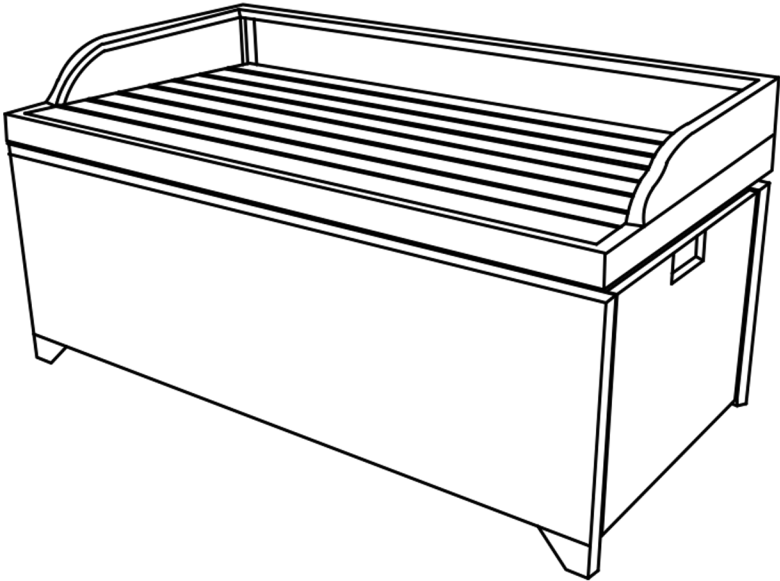




MODEL# 841-153

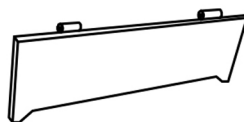


ASSEMBLY INSTRUCTIONS

Pre-Assembly and parts list



A × 1pc



B × 1pc



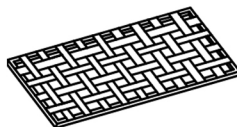
C × 1pc



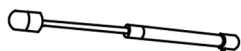
D × 1pc



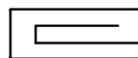
E × 1pc



F × 1pc



G × 2pcs







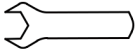

H × 1pc

Pre-Assembly and parts list

HARDWARE INCLUDED

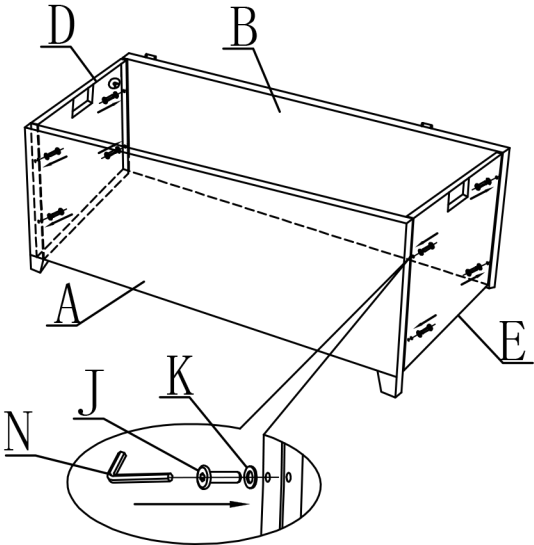


NOTED:Hardware not shown to actual size.

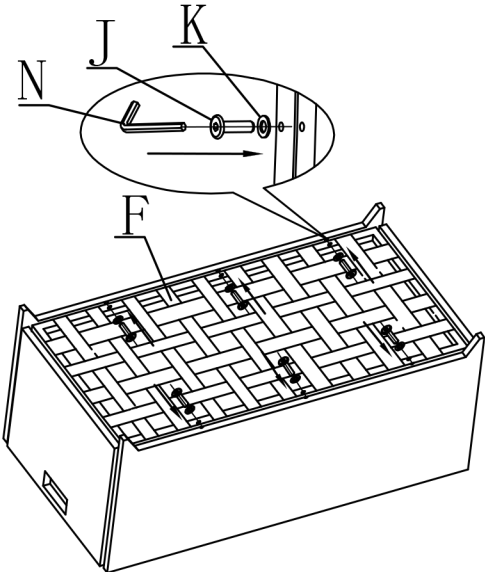
Part	Description	QTY.
I		2
J		14
K		18
L		2
M		1
N		1

Assembly

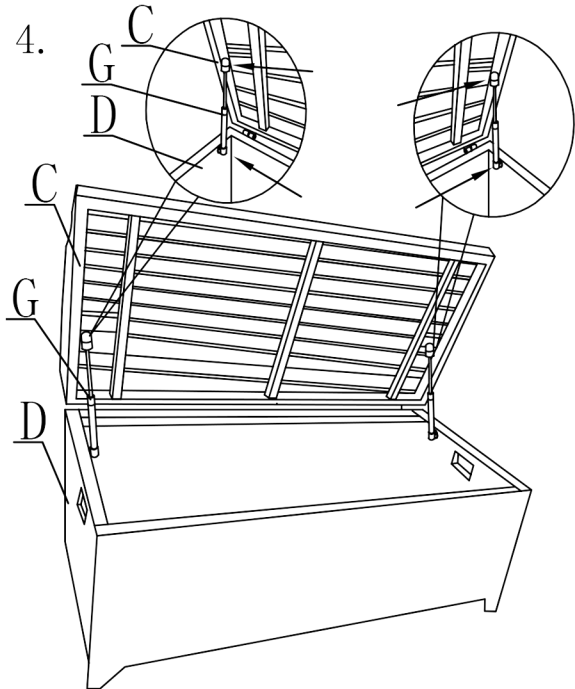
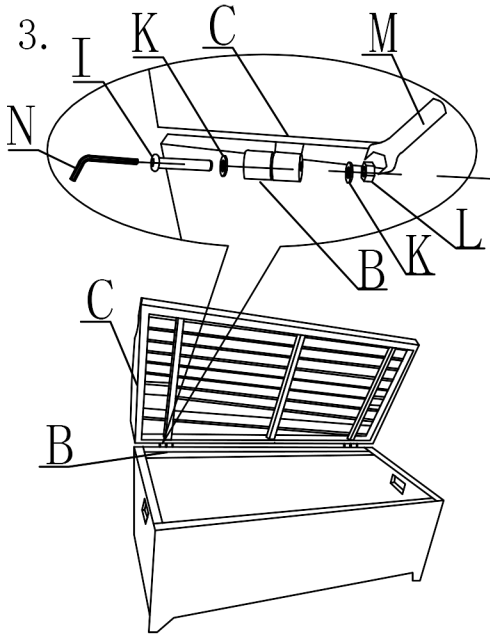
1.

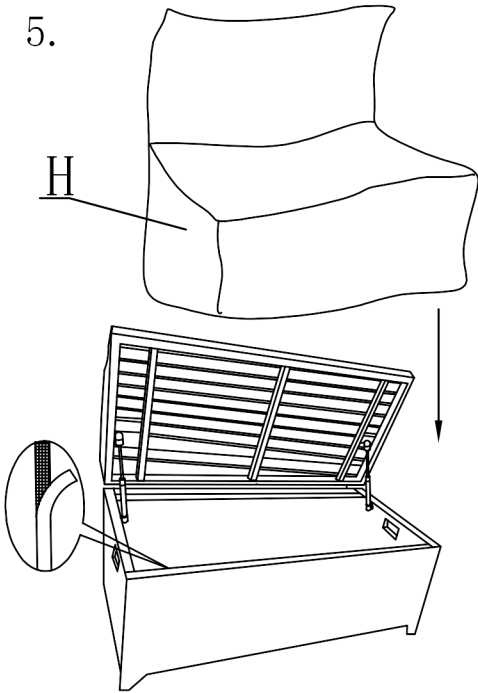


2.



Assembly





6.

