











INebc010_GL

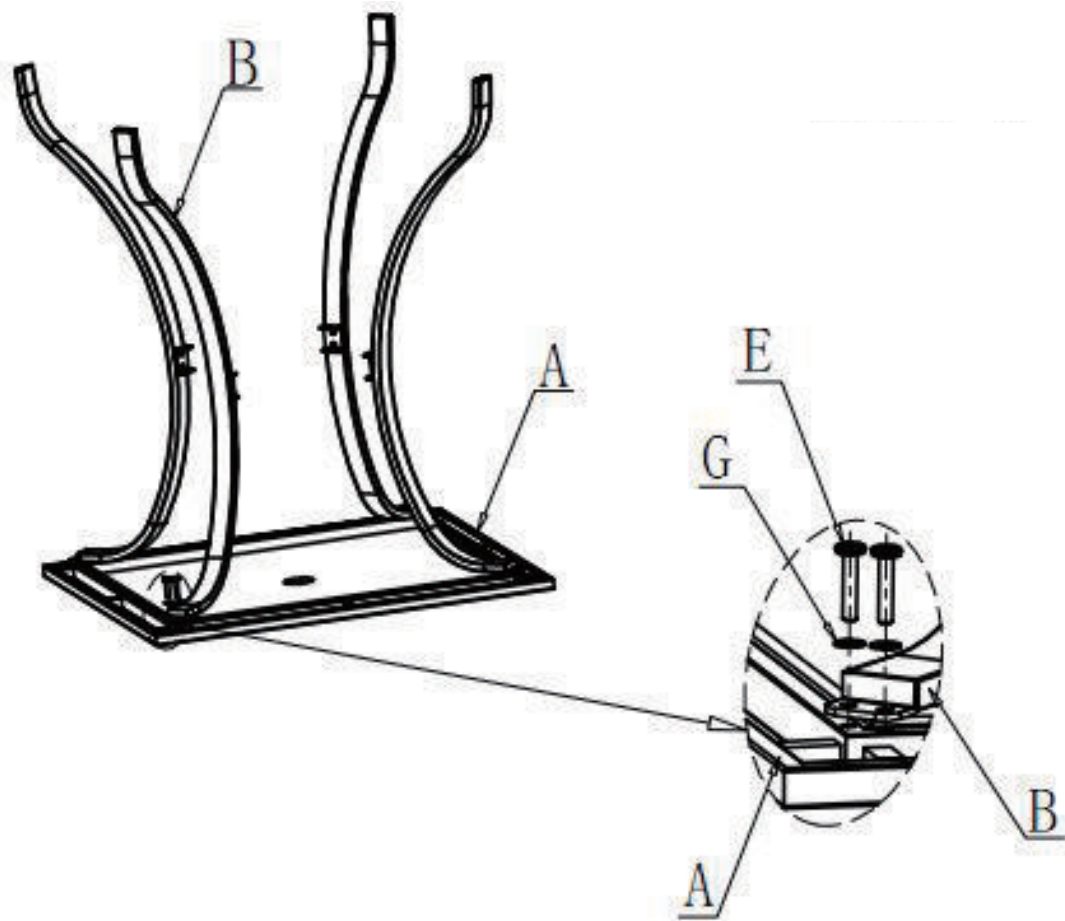
864-013

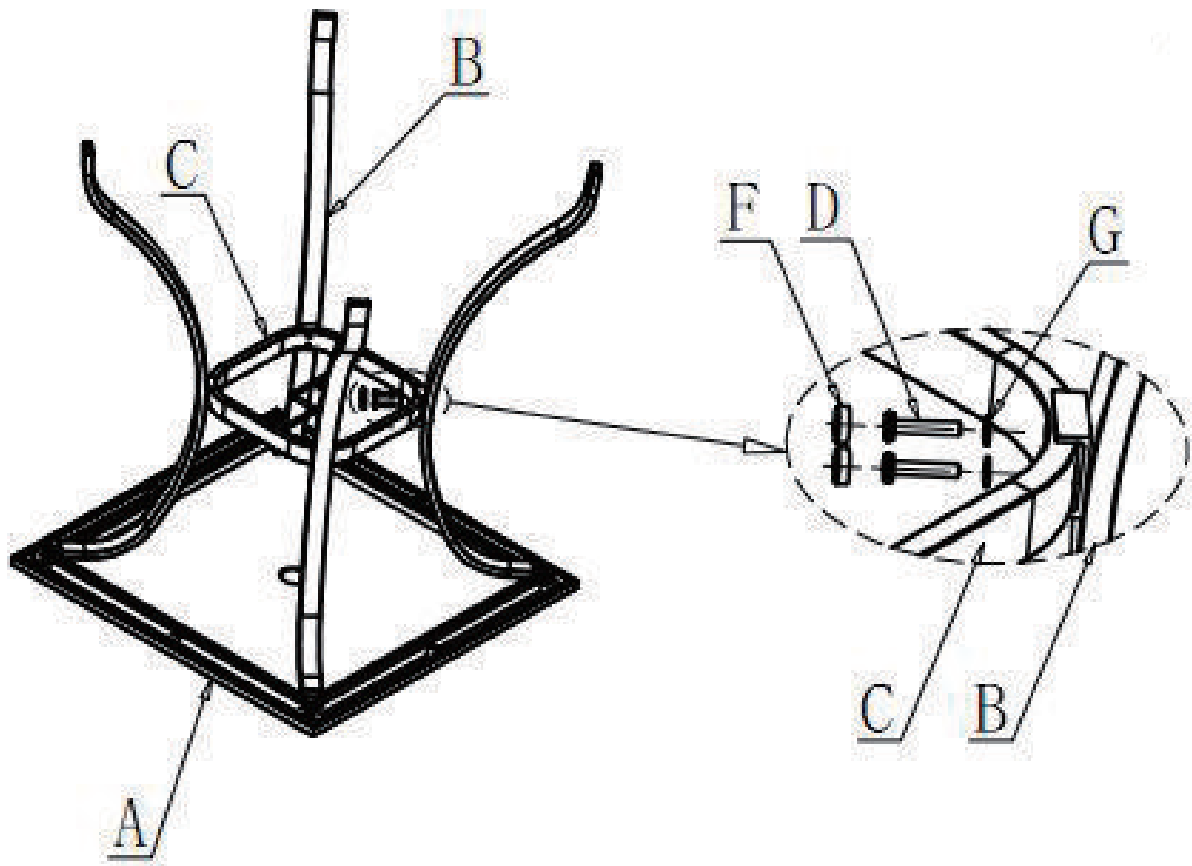


READ AND SAVE THIS INSTRUCTIONS FOR FUTURE USE

ASSEMBLY & INSTRUCTION MANUAL

<p>A x 1</p> 	<p>C x 1</p> 	<p>F x 8</p> 
<p>B x 4</p> 	<p>D x 8</p>  <p>M6*25</p>	<p>G x 16</p> 
<p>M6*15</p>	<p>E x 8</p> 	<p>H x 1</p> 





US



001-877-644-9366
customerservice@aosom.com

CA



001-855-537-6088
customerservice@aosom.ca

UK



0044-800-240-4004
enquiries@mhstar.co.uk

DE



0049-(0)40-88307530
service@aosom.de

FR



0033-1-84166106
contact@aosom.fr

ES



0034-931294512
atencioncliente@aosom.es

IT



0039-0249471447
clienti@aosom.it