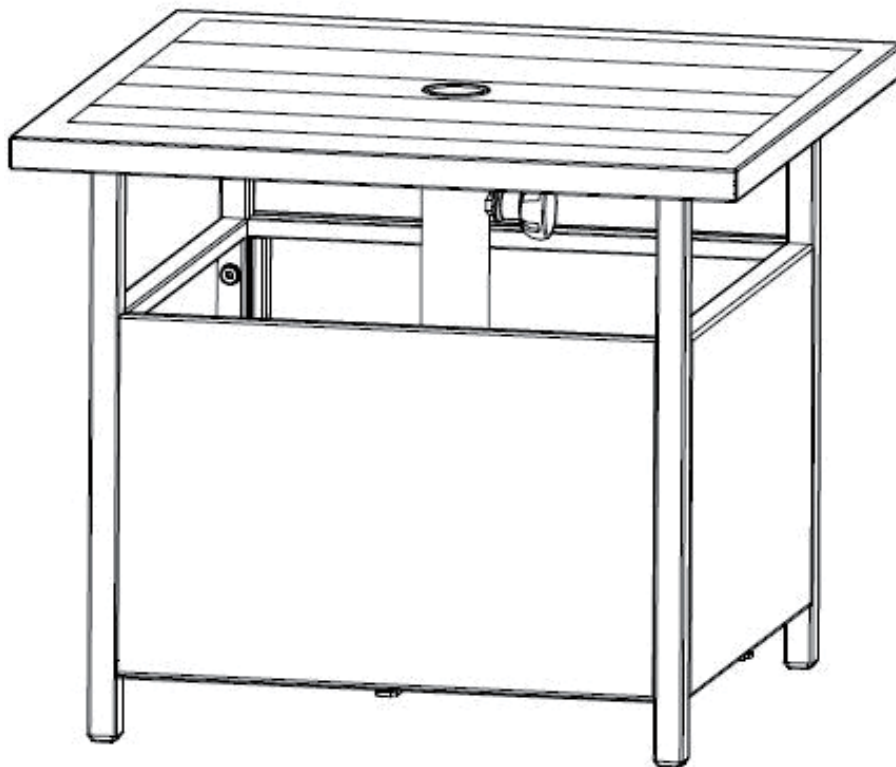




INebc012_GL

867-066



READ AND SAVE THIS INSTRUCTIONS FOR FUTURE USE

ASSEMBLY & INSTRUCTION MANUAL

A x 1



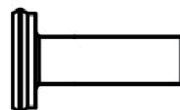
F x 1



B x 2

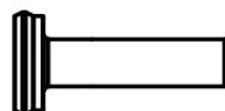


G x 8



M6*15:

H x 3

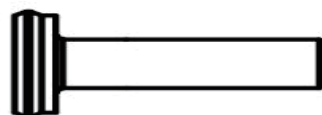


C x 2

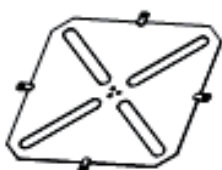


M6*20:

I x 8



D x 1

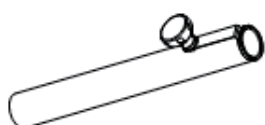


M6*28:

J x 19

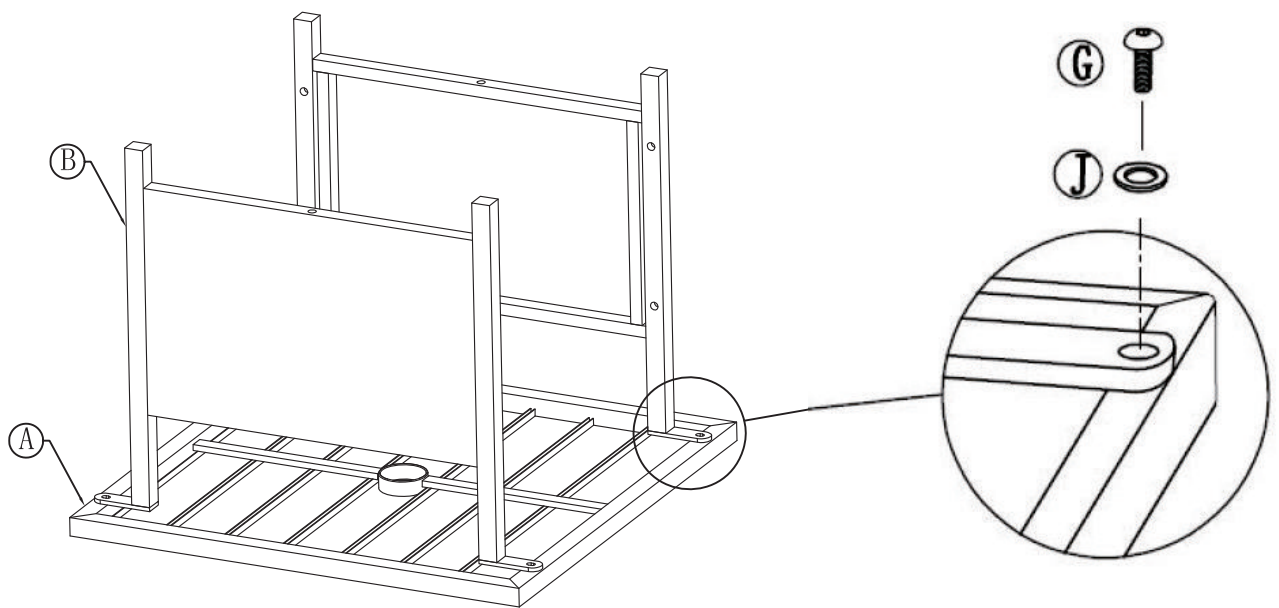
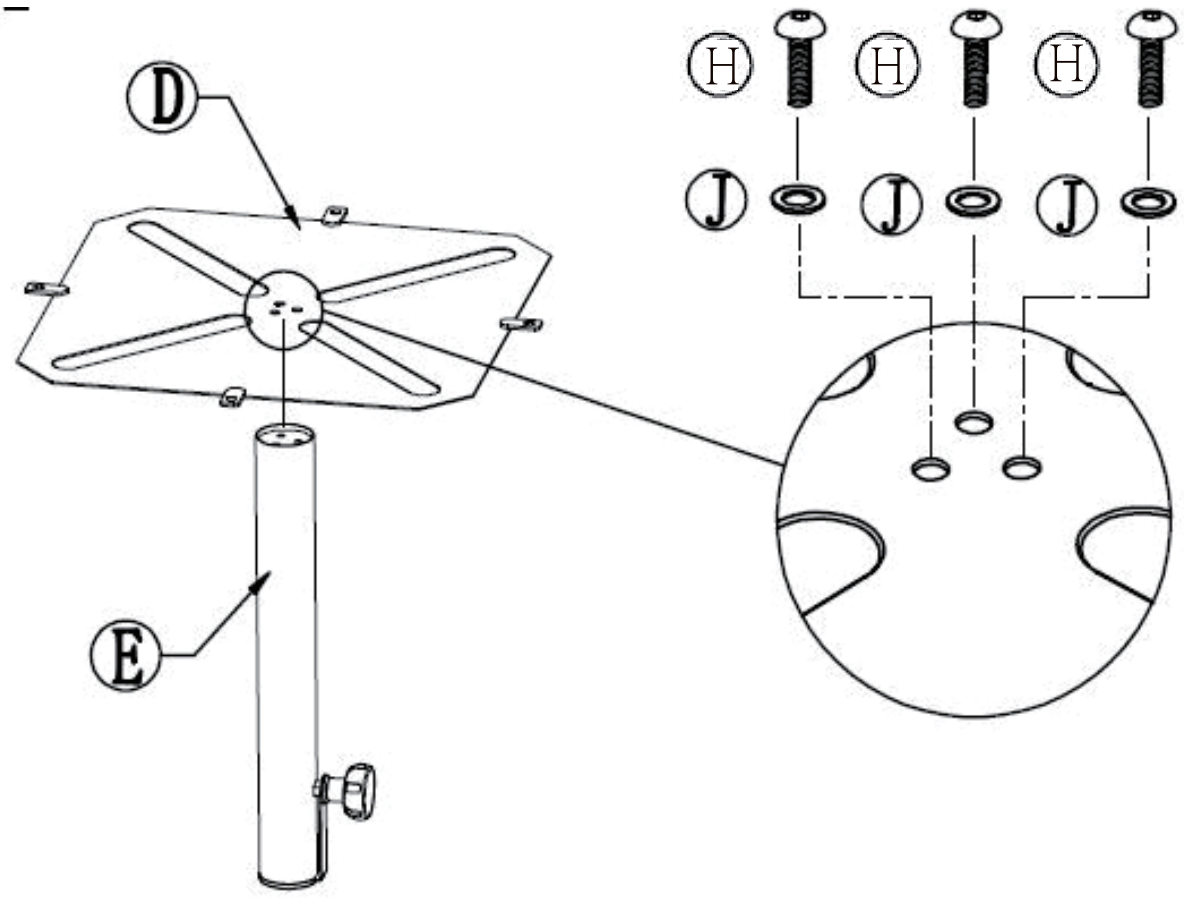


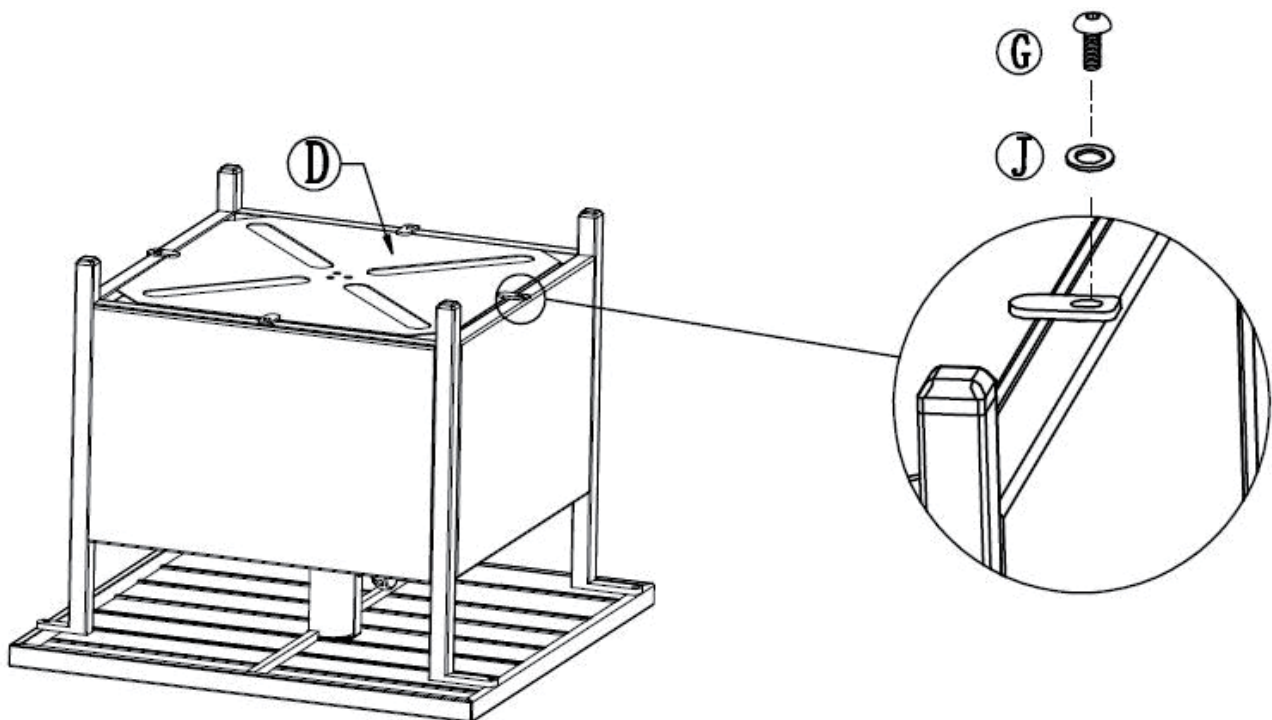
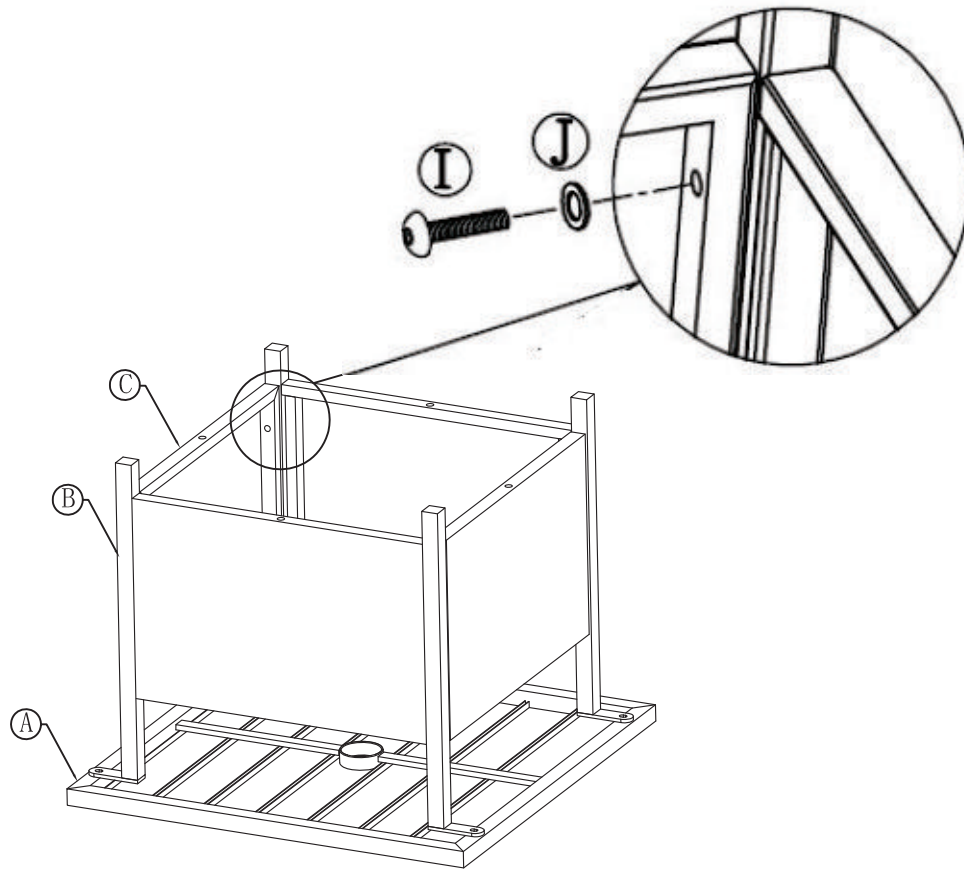
E x 1

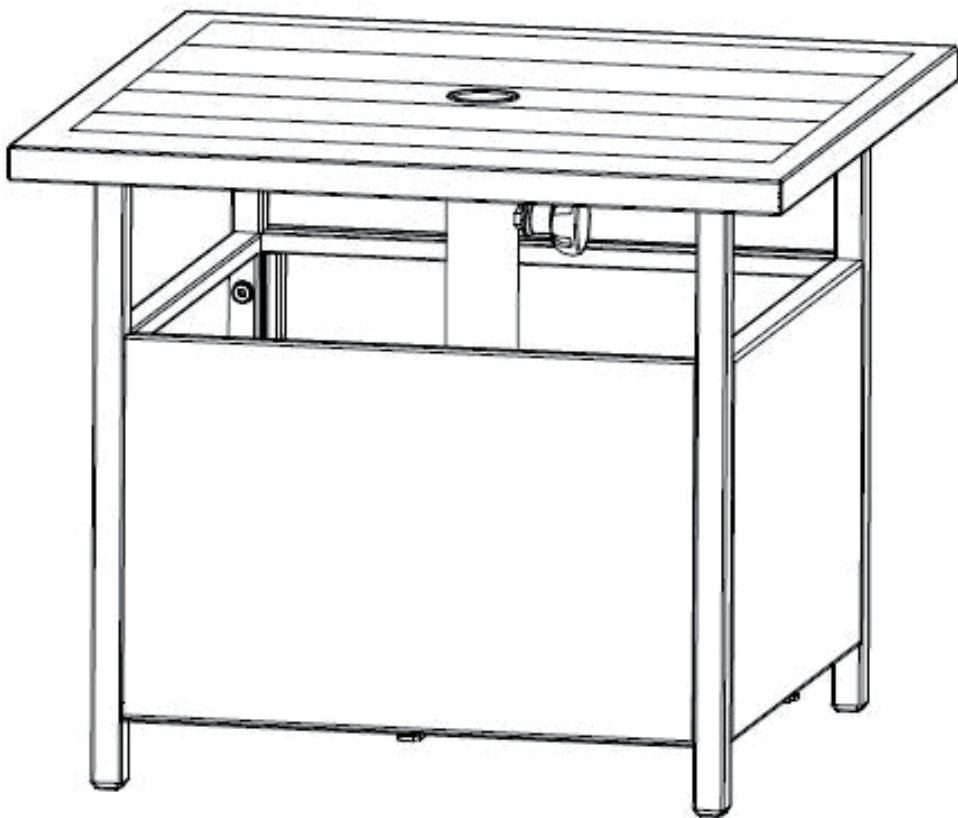
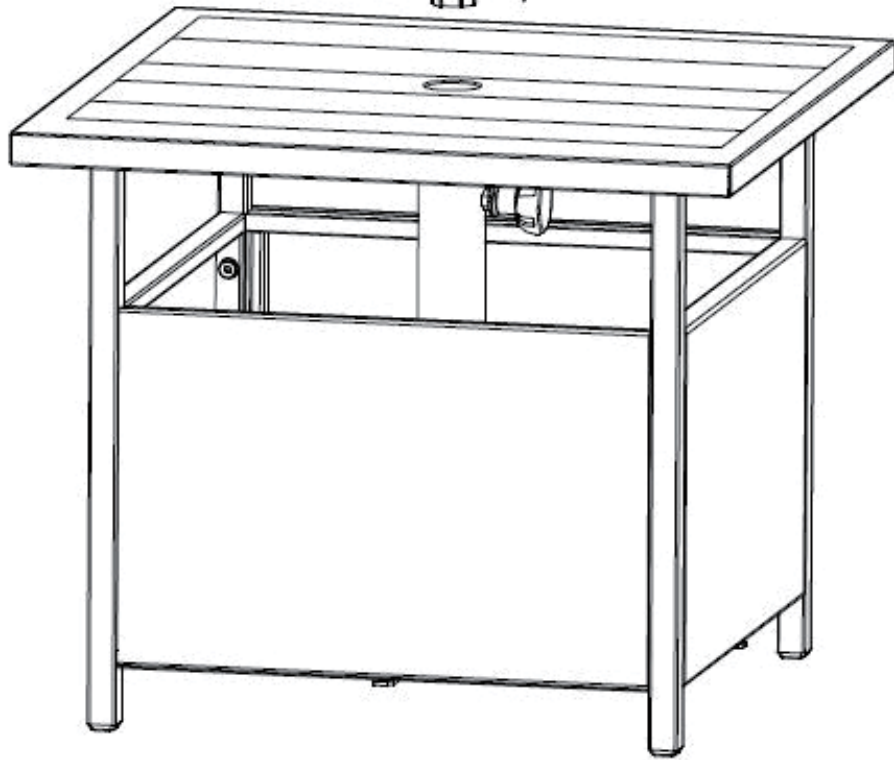


K x 1









US



001-877-644-9366
customerservice@aosom.com

CA



001-855-537-6088
customerservice@aosom.ca

UK



0044-800-240-4004
enquiries@mhstar.co.uk

DE



0049-(0)40-88307530
service@aosom.de

FR



0033-1-84166106
contact@aosom.fr

ES



0034-931294512
atencioncliente@aosom.es

IT



0039-0249471447
clienti@aosom.it