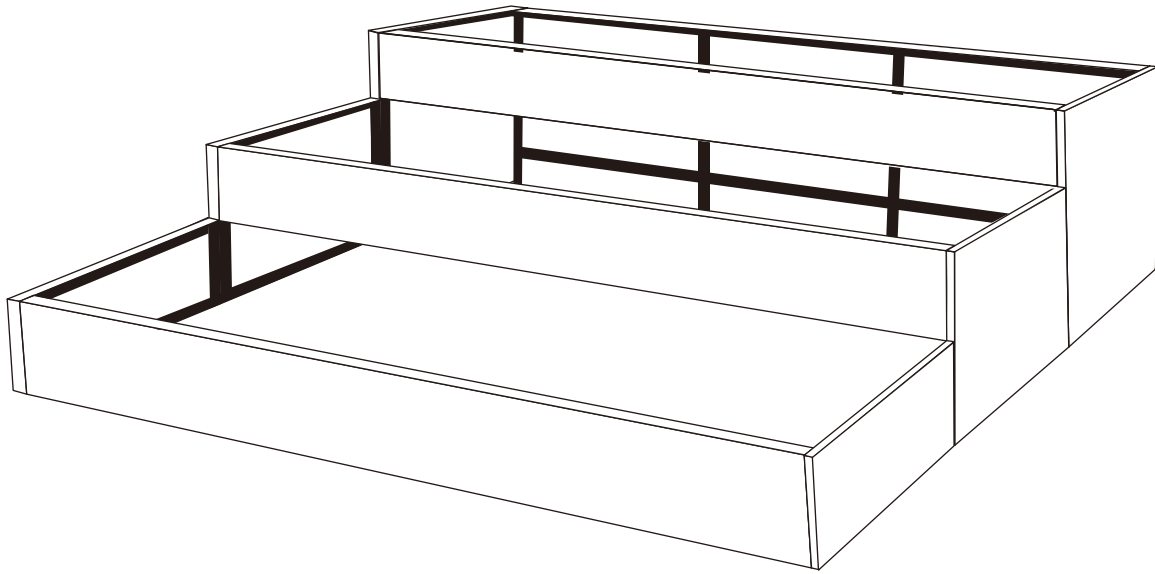




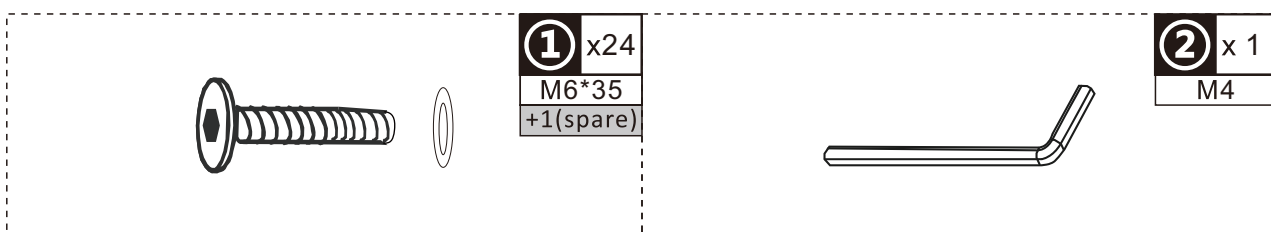
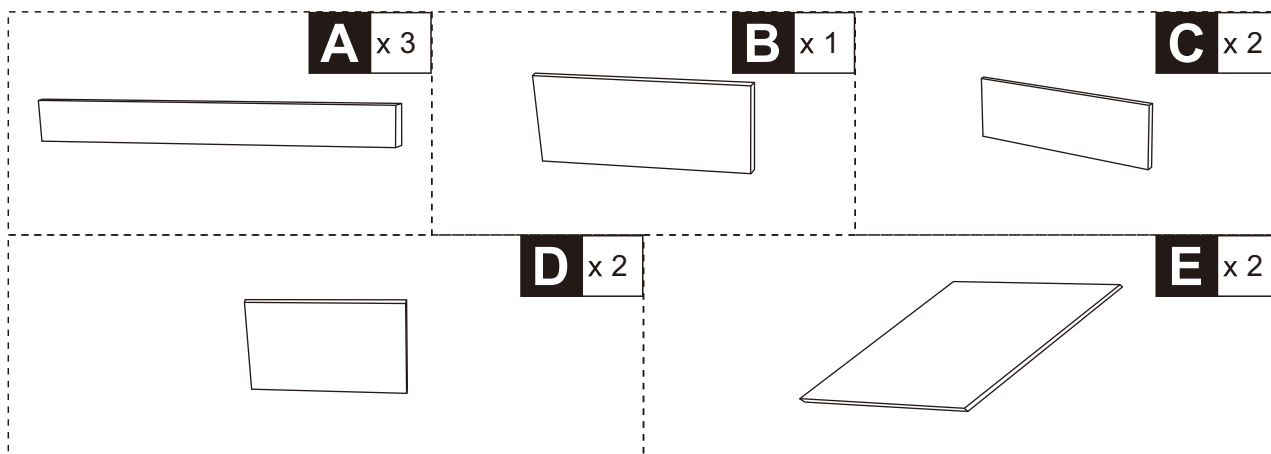
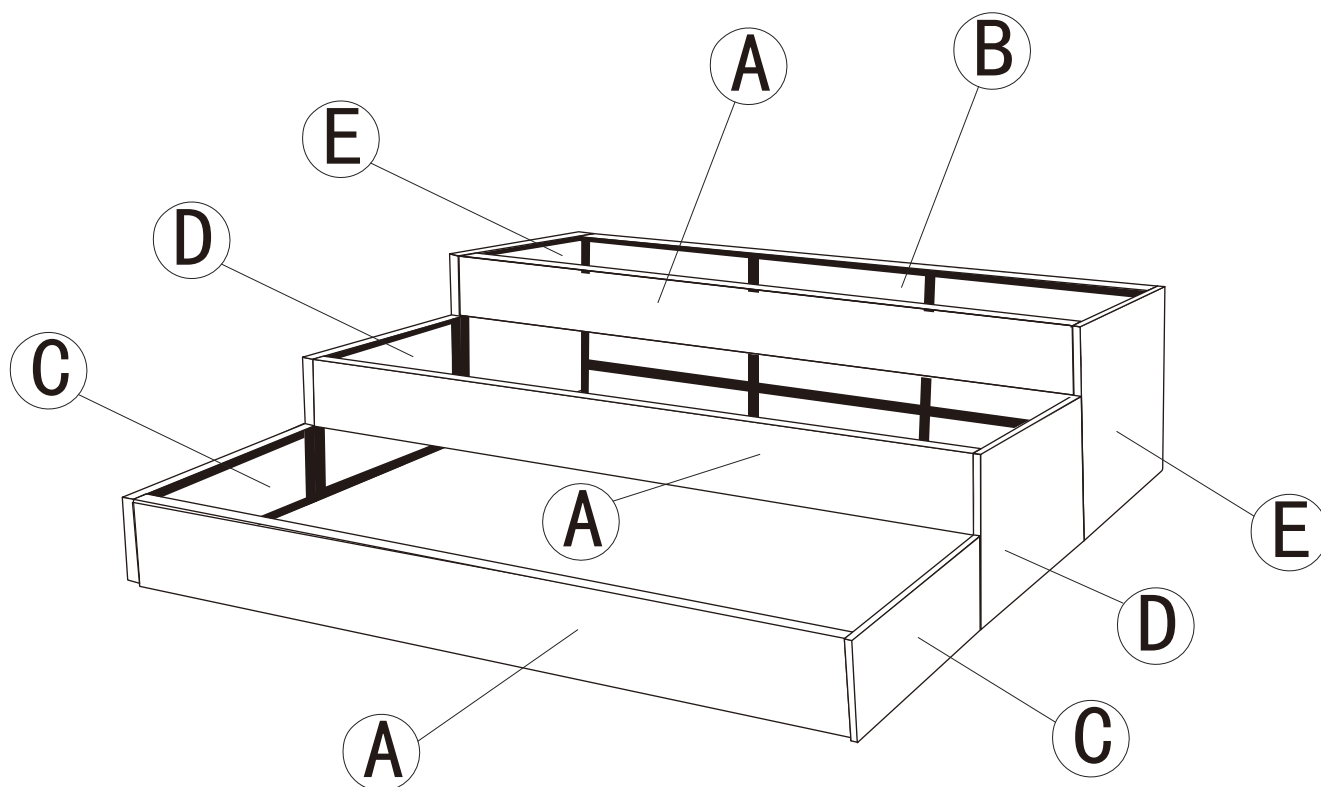
INebc021_GL

867-096

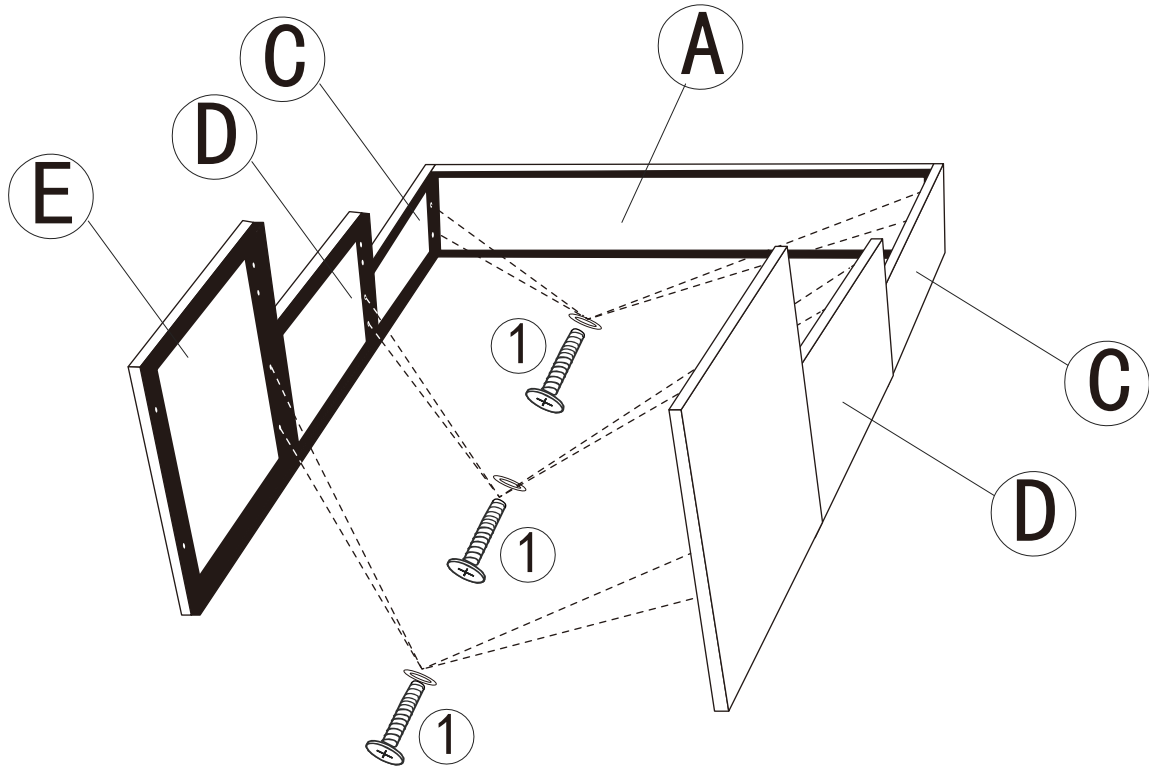


IMPORTANT, RETAIN FOR FUTURE REFERENCE: READ CAREFULLY

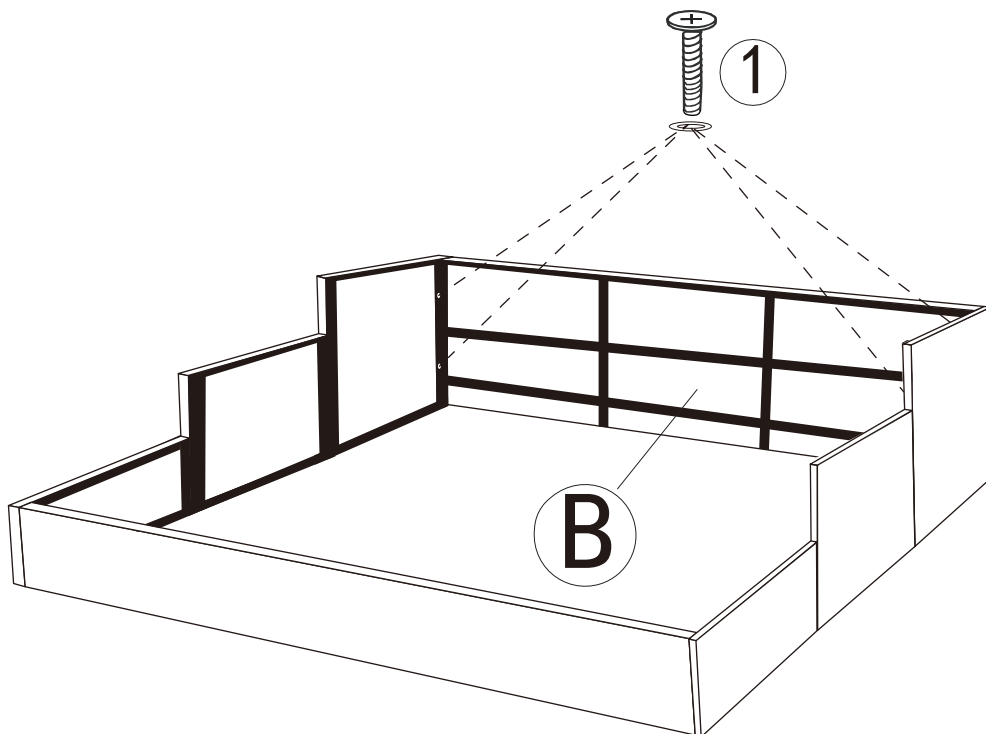
ASSEMBLY & INSTRUCTION MANUAL



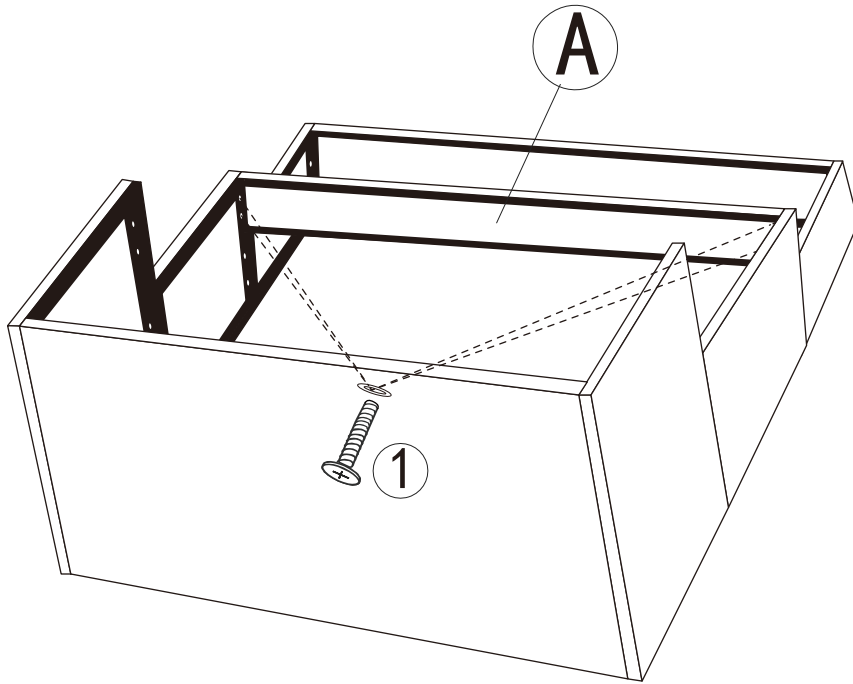
① M 6 x 35 mm x 12 Pieces 



① M 6 x 35 mm x 4 Pieces 



① M6 x 35 mm x 4 Pieces 



① M6 x 35 mm x 4 Pieces 

