
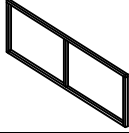
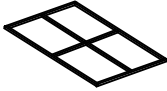
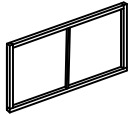
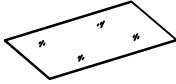
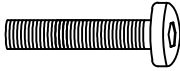
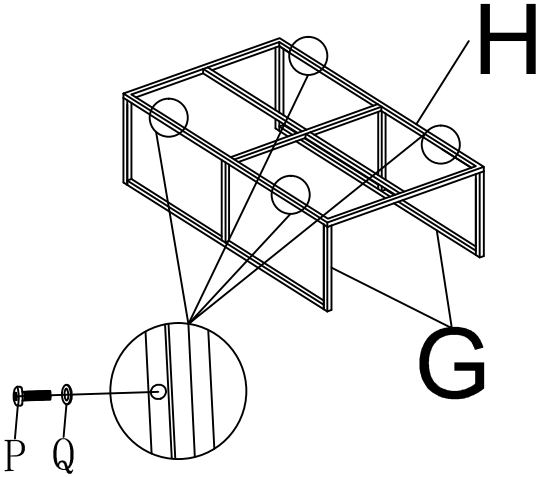
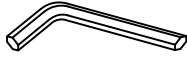

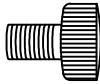
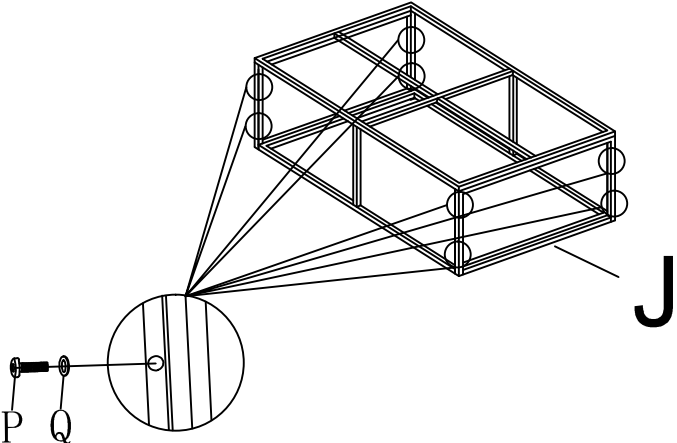
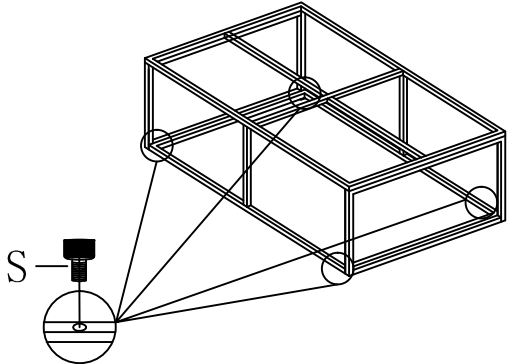
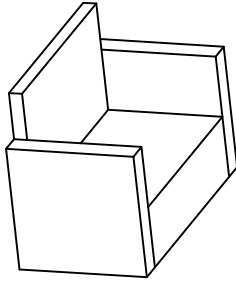


# Manual

Tea table	Accessories		
	G		2
	H		1
	J		2
	K		1
<b>Assembly(a)</b>	P	 M6*30	12
	M		1
	Q		12
	S		4
	<b>Assembly(b)</b>		
			

# Manual

single sofa



Accessories

A



1

B



1

E



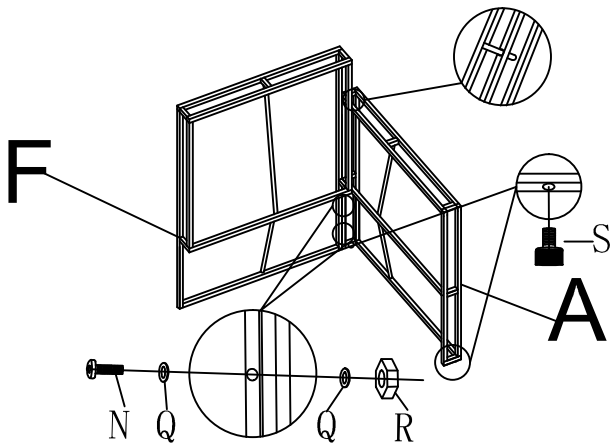
1

F

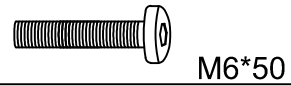


1

Assembly(a)



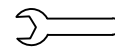
N



M6\*50

12

L



1

M



1

R



12

Q



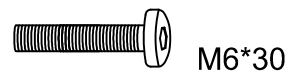
26

S



4

P



M6\*30

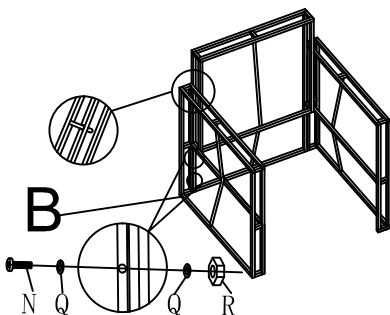
2

U

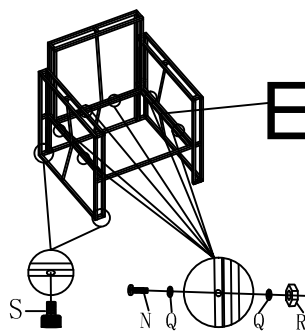


1

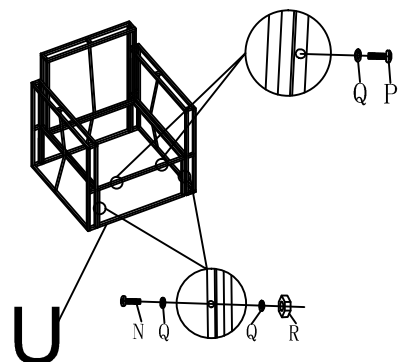
Assembly(b)



Assembly(c)

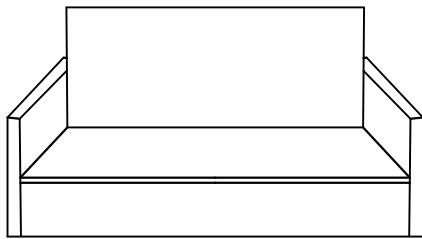


Assembly(d)



# Manual

## Love-seat sofa



## Accessories

A



1

B



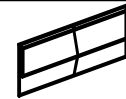
1

C



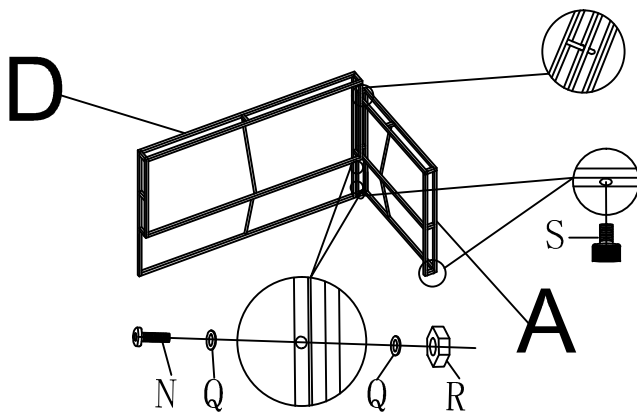
1

D

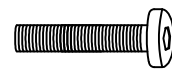


1

## Assembly(a)



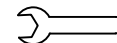
N



M6\*50

12

L



1

M



1

R



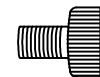
12

Q



26

S



4

P



M6\*30

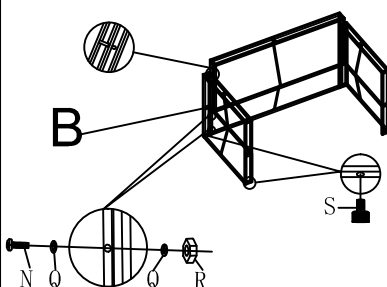
2

T

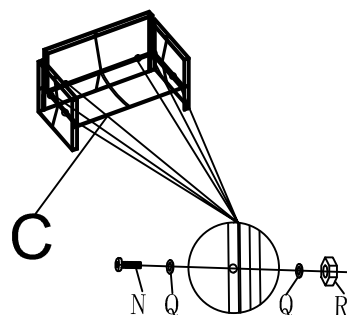


1

## Assembly(b)



## Assembly(c)



## Assembly(d)

