




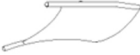
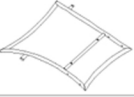



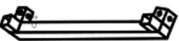




861-002



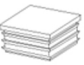









Please read these instructions and warranty information carefully before use and keep them properly for future reference.

OPERATING INSTRUCTIONS

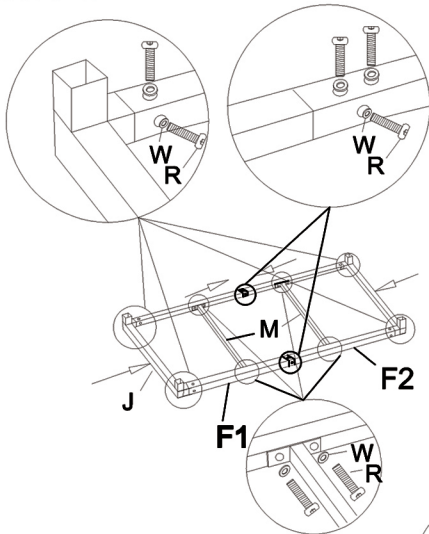
Part List

A		8PCS
B		8PCS
C		8PCS
D		8PCS
E		4PCS
H		3PCS
J		2PCS
K		4PCS
M		2PCS
F1		2PCS
F2		2PCS

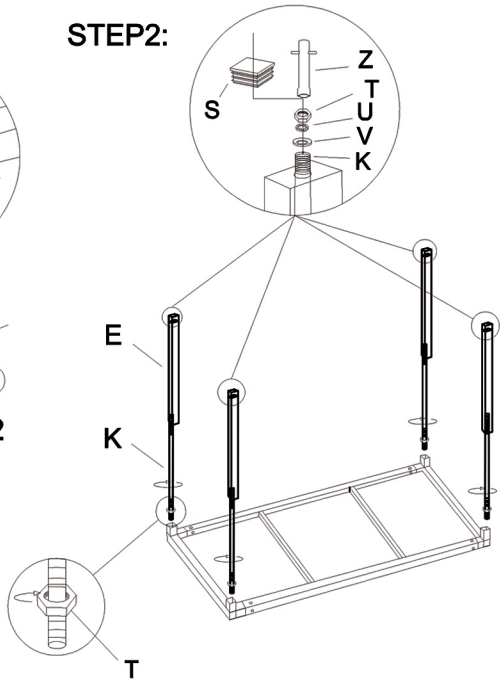
P	 M6*35mm	80PCS
R	 M6*15mm	18PCS
S		4PCS
T	 M10	8PCS
U	 Ø10.5	4PCS
V	 Ø10.5*1.0	4PCS
W	 Ø6.5*1.0	98PCS
X		2PCS
Y		1PCS
Z		1PCS

Assembly Instructions

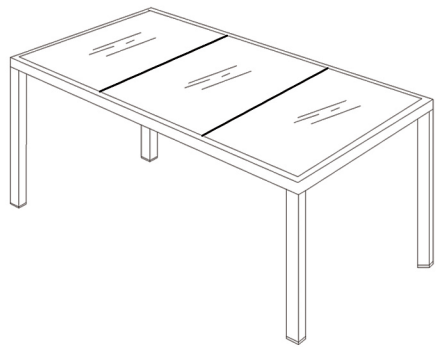
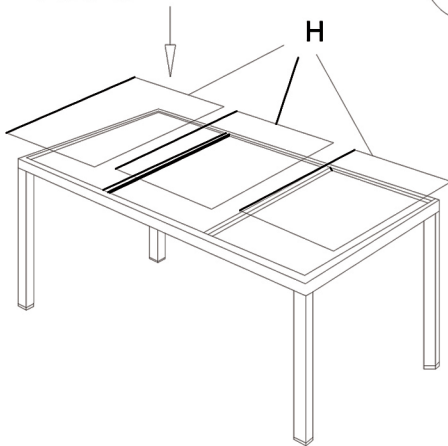
STEP1:



STEP2:

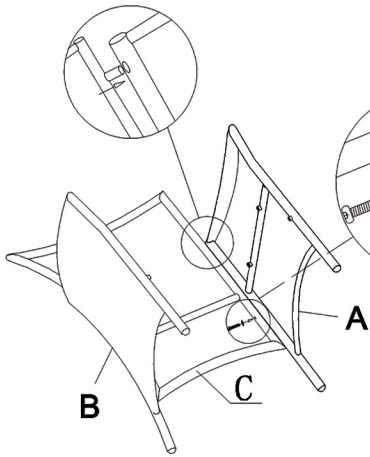


STEP3:

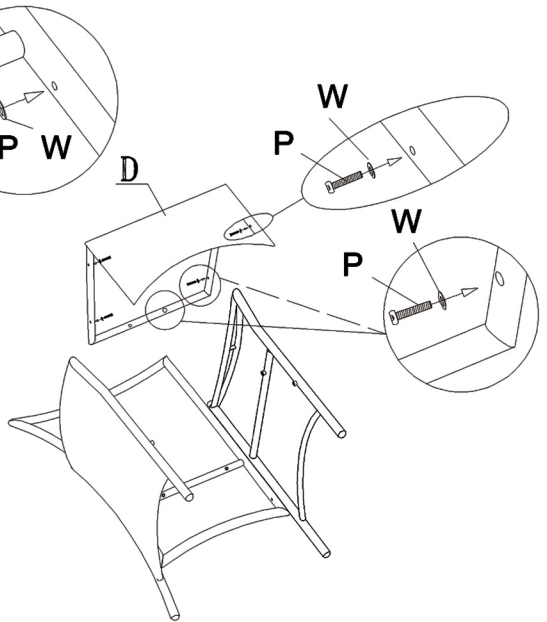


Assembly Instructions

STEP4:



STEP5:



STEP6:

