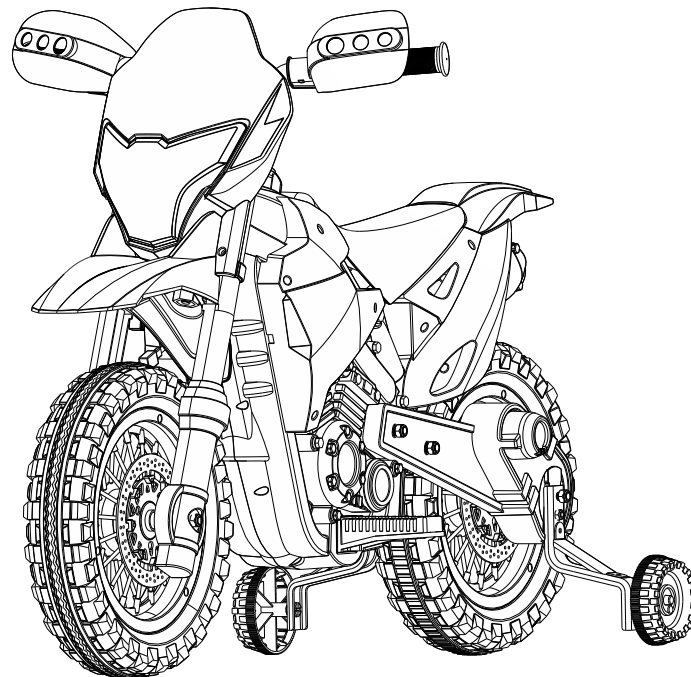




INfaa035_US_CA

370-043

Children's electric cars



⚠ WARNING :

- Assembly by an adult.
- This toy is unsuitable for children under 3 years due to its maximum speed.
- Protective equipment should be worn. Not to be used in traffic. A reminder that the toy should be used with caution since skill is required to avoid falls or collisions causing injury to the user or third parties.

READ AND SAVE THIS INSTRUCTION FOR FUTURE USE

ASSEMBLY INSTRUCTION

| | |
|-----------------|---|
| Specifications: | |
| Battery: | (Recoverable fuse: 5A) (6V4.5Ah*1) |
| Motor: | single drive 6V |
| Suitable ages: | 37-96 months |
| Maximum weight: | 20KG |
| Speed : | 3-6KM/h |
| Power way: | Charging type |
| Use of time: | Charg: 8-12 hours ; Use: 1-2 hours |
| Charger: | Input AC 110~ 240V, output DC 6 V 500mA |

WARNING

- 1.The pictures in this instruction is only for explaining the operation and structure of the product, when there's any difference with the real product, please confirm with the real product.
- 2.In order to improve the quality of the product,we may amend some structure or appearance of the product without notification.Thank you for your understanding.

FOR THE SAFETY OF YOUR CHILD, PLEASE READ ALL WARNINGS AND ASSEMBLY/USE INSTRUCTIONS. KEEP THIS GUIDE FOR FUTURE REFERENCE.

- ADULT ASSEMBLY REQUIRED. The product contains small parts, which are for adult assembly only. keep small children away when assembling.
- always remove protective material and poly bags and dispose before assembly.
- never leave child unattended. direct adult supervision is required.
- always keep child in view when child is in vehicle.
- Keep Children within Safe Riding Areas:
 - Never use in roadways, near motor vehicles, on lawn space, on or near steep inclines or steps, swimming pools or or any other dangerous area.
 - Use the toy only on flat surfaces. Such as inside your house, garden or playground.
 - Never use in the dark. A child could encounter unexpected obstacles and have an accident. Operate the vehicle only in the daytime or a well-lit area.
 - Please avoid running on sand or any other rough ground.
 - always wear shoes.
 - always sit on the seat.
 - this toy has no brake.
 - It is prohibited to change the circuit or add other electric parts
 - Inspect wires and connections of the vehicle periodically.
 - Do not let any child touch the wheels or be near them when the car is moving.
 - This vehicle has adjustable play seat belts. Please instruct children how to tie the safety belt before using, guarantee the security.

STORAGE BATTERY INFORMATION AND MAINTENANCE

- Please charge 8 to 12 hours before first time use.
- Please use the suitable adapter to charge storage battery, otherwise the ride-on will be damaged.
- Please charge the car once the speed is slower than normal, otherwise it will decrease storage battery life.
- Please fully charge the battery before you put your ride-on away, and remember to recharge the battery every 30 days. This will ensure the normal use of the battery, otherwise, the battery might not hold a charge without proper maintenance.
- Batteries may leak fluids that can cause chemical burn injury or ruin your product.
- To avoid battery leakage: Do not mix old and new batteries or batteries of different types: alkaline, standard (carbon-zinc) or rechargeable (nickel-cadmium).
- Insert batteries as indicated inside the battery compartment. Remove batteries during long periods of non-use.
- Always remove exhausted batteries from the product. Dispose of batteries safely. Do not dispose of batteries in a fire. The batteries may explode or leak.
- Never short-circuit the battery terminals.
- Non-rechargeable batteries are not to be recharged.
- Use only batteries of the same or equivalent type as recommended.
- Do not charge non-rechargeable batteries.
- Remove rechargeable batteries from the product before charging.
- If removable rechargeable batteries are used, they are only to be charged under adult supervision
- Every single charging can not go over 20 hours. Both charger and storage batteries will occur mildly warm during charging. Do not use mal-functioned adapter or storage battery unless they are repaired.
- Charger and storage batteries are not considered as toys.
- Please make periodical inspection for storage battery, especially for adapter wires and plugs.
- Please turn off the switch when the ride-on is not in use. Please do a full charge after long periods of inactivity.
- Charge in well ventilated, dry place. Do not open the battery or the charger.
- Tighten the screws with a screwdriver. DO NOT over tighten

Disposal Of Battery:

1. Your sealed lead-acid battery must be recycled or disposed of in an environmentally sound manner.
2. Do not dispose of your lead-acid battery in a fire. The battery may explode or leak.
3. Do not dispose of a lead-acid battery in your regular, household trash. The incineration, land filling or mixing of sealed lead-acid batteries with house-hold trash is prohibited by law.

PREVENT FIRE AND ELECTRIC SHOCK:

- Use the only rechargeable battery and charger supplied with your vehicle.
- NEVER substitute the battery or the charger with another brand. Using another battery or charger may cause a fire or explosion.
- Do not use the battery or charger for any other product. Overheating, fire or explosion could occur.
- NEVER modify the electric circuit system. Tampering with the electric system may cause a shock, fire or explosion or may permanently damage the system.
- Do not allow direct contact between battery terminals. Fire or explosion can occur.
- Do not allow any type of liquid on the battery or its components.
- Explosive gasses are created during charging. Do not charge near heat or flammable materials. Charge the battery in a well- ventilated area ONLY.
- NEVER pick up the battery by the wires or charger. Damage can occur to the battery and may cause a fire. Pick up the battery by the case ONLY.

Charge the battery in a dry area ONLY.

●Battery posts, terminals and related accessories contain lead and lead compounds, chemicals known to the State of California to cause cancer and reproductive harm. Wash hands after handling.

●Do not open the battery. Battery contains lead acid and other materials that are toxic and corrosive.

●Do not open the charger. Exposed wiring and circuitry inside case may cause electric shock.

ONLY adults may handle or charge the battery. NEVER allow child to handle or charge the battery. Battery is heavy and contains lead acid (electrolyte).

●Do not drop the battery. Permanent damage to the battery could occur or cause serious injury.

●Before charging the battery, check for wear or damage to the battery, charger, its supply cord and the connectors. DO NOT charge the battery if any damage to parts has occurred.

Do not allow the battery to drain completely. Recharge the battery after each use or once a month if not used regularly.

●Do not charge battery upside down.

●Always secure the battery with the bracket. Battery can fall out and injure a child if vehicle tips over.

●It is parents' responsibility to check main parts of the toy before using, Must regularly examine for potential hazard, such as the battery, charge, cable or cord, plug, screws are fastening enclosure of other parts and that in the event of such damage, the toy must not be until that damage had been properly removed. Make sure the plastic parts of the vehicle are not cracked or broken.

●Occasionally use a lightweight oil to lubricate moving parts such as wheels.

●Park the vehicle indoors or cover it with a tarp to protect it from wet weather.

●Keep the vehicle away from sources of heat, such as stoves and heaters. Plastic parts may melt.

●Recharge the battery after each use. Only an adult can handle the battery. Recharge the battery at least once a month when the vehicle Raider is not being used.



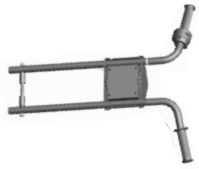

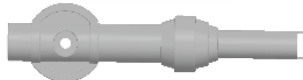



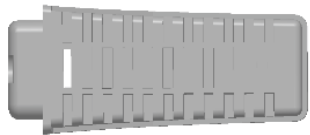


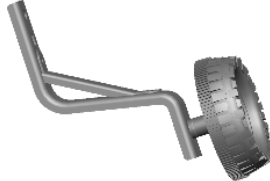


●Do not wash the vehicle with a hose. Do not wash the vehicle with soap and water. Do not drive the vehicle in rainy or snowy weather. Water will damage the motor, electric system and battery.

●Clean the vehicle with a soft, dry cloth. To restore shine to plastic parts, use a non-wax furniture polish. Do not use car wax. Do not use abrasive cleaners.






●Do not drive the vehicle in loose dirt, sand or fine gravel which could damage moving parts, motors or the electric system.

●When not using, all the electrical source should be turn off. Turn off the power switch and disconnect the battery connection.

Parts List

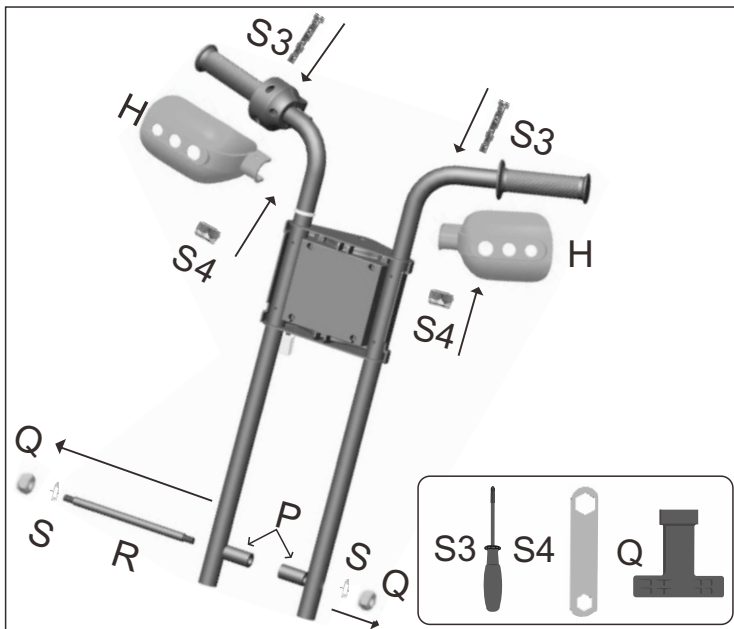
| NO. | QTY | PICTURE | NO. | QTY | PICTURE |
|-----|-----|---|-----|-----|---|
| ① | 1 |  A(Car head) | ② | 1 |  B(Instructions) |
| ③ | 1 |  C(Handlebar) | ④ | 1 |  D(Front fender) |
| ⑤ | 2 |  E(Front wheel suspension shield) | ⑥ | 1 |  F(Music box) |
| ⑦ | 1 |  G(Front wheel) | ⑧ | 1 |  H (handlebar shield) |
| ⑨ | 1 |  I(Right foot pedal) | ⑩ | 1 |  J(Left foot pedal) |
| ⑪ | 1 |  K(Foot pedal hold-open catch) | ⑫ | 2 |  L(Jockey pulley) |
| ⑬ | 1 |  N(Steering rod fixed axis) | ⑭ | 2 |  O(M8 Spanner) |

Parts List

| NO. | QTY | PICTURE | NO. | QTY | PICTURE |
|-----|-----|--|-----|-----|---|
| ⑮ | 1 |  S1 (Spanner) | ⑯ | 6 |  S2(self-tapping screw) |
| ⑰ | 2 |  S3(M5 Screw) | ⑱ | 2 |  S4 (M5 Nut) |
| ⑲ | 1 |  S5 (M5 Spanner) | | | |

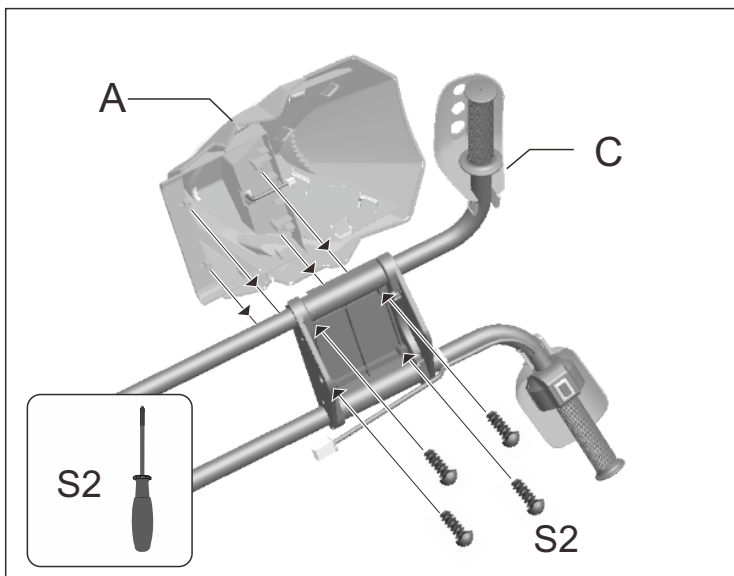
*Photos are for reference ONLY.

Installation Steps



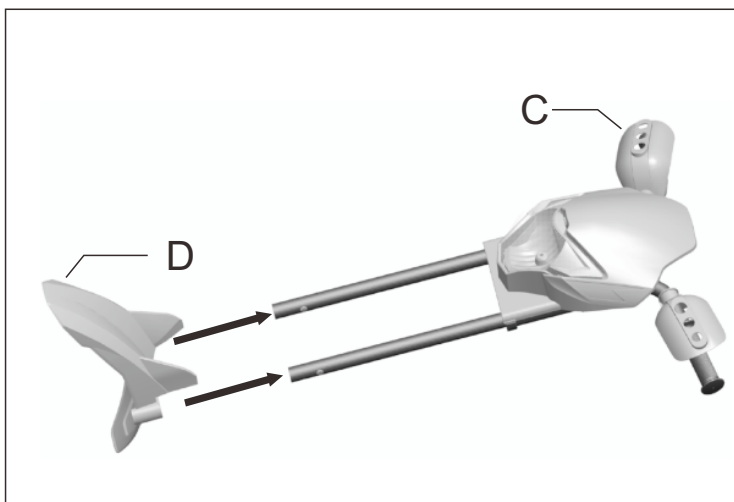
Preparation for Installation:

1. Take out C (handlebar components), put H (handlebar shield) on the corresponding position as shown in figure, use S3 (M5 screw) and S4 (M5 nut) to fix H (handlebar shield) and handlebar together. (Use S5 (M5 spanner)).
2. Use O (M8 spanner) to loosen and remove Q (M8 nuts), S (M8 shims), R (front axle), P (front wheel axle sleeve) from the handlebar components.



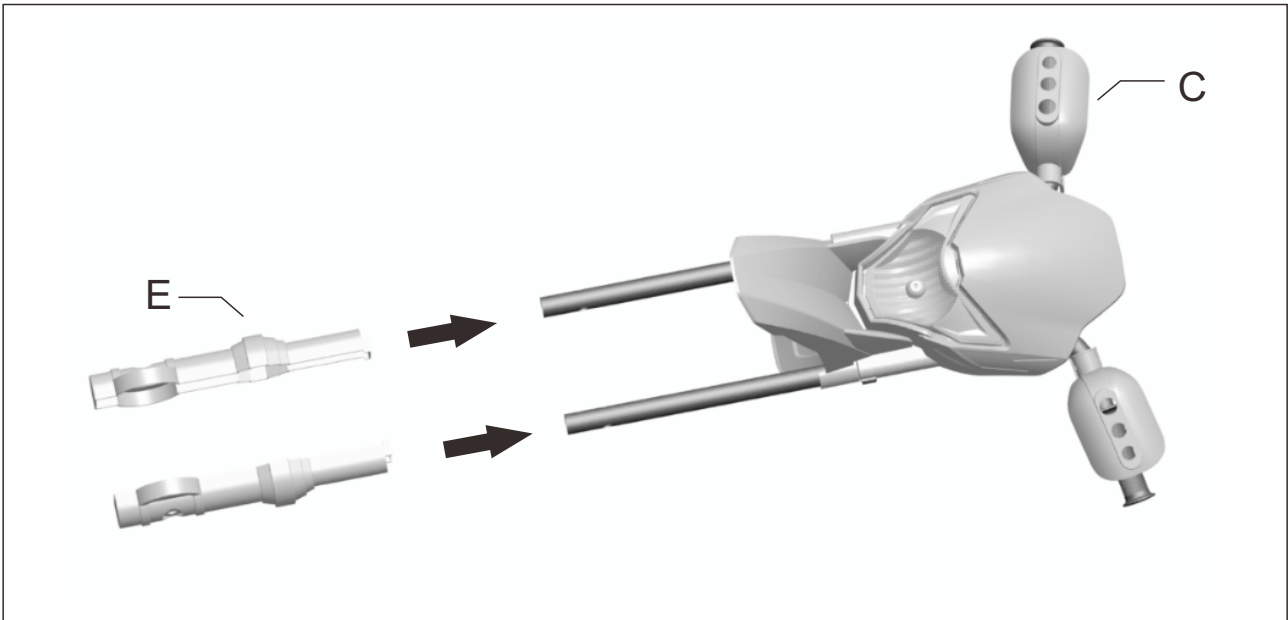
Install car head:

Find the corresponding position on the C (handlebar) as shown in figure, use 4 S2 (self-tapping screw) to fix A (car head) onto this position.



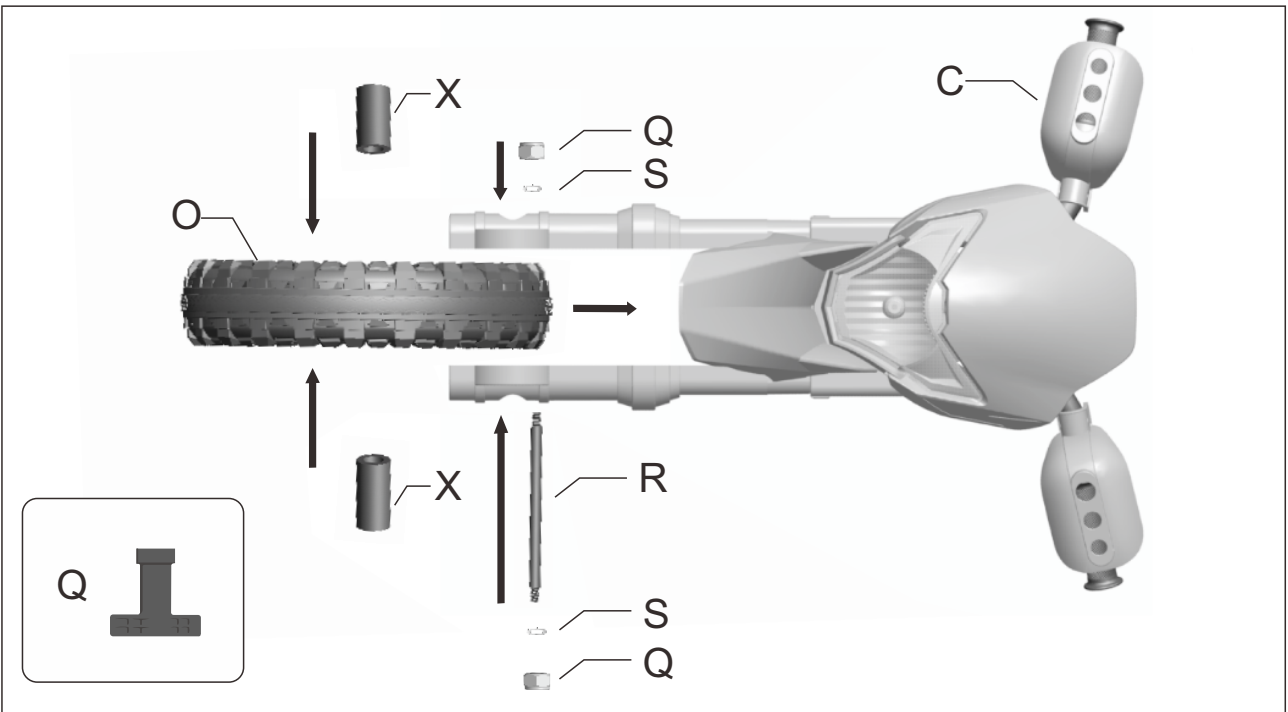
Install front fender:

Press and fix the D (front fender) onto the C (handlebar) as shown in figure.



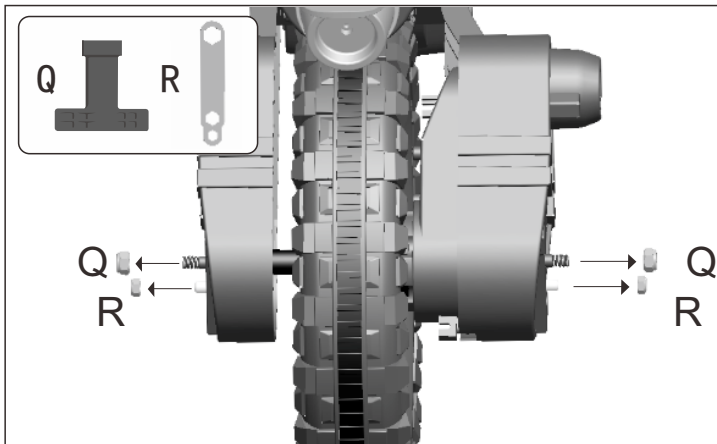
Install front wheel suspension shield:

Press and fix the E(front wheel suspension shield) onto the C(handlebar) as shown in figure.(Please pay attention to the installing direction)



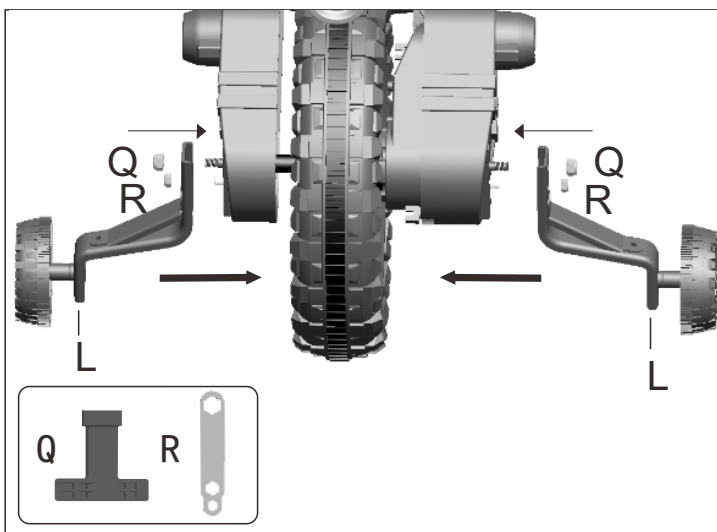
Install front wheel components:

1. Install X (Front wheel axle sleeve) into the corresponding position on O (front wheel)
2. Install O (front wheel) onto the corresponding position on C (handlebar) as shown in figure.
3. Press R (front axle) through all the front wheel components.
4. Put two S(M8 shims) on both sides of the R (front axle), then fix the both sides of the front axle by turning the two Q (M8 nuts) in a clockwise direction.
 (**NOTE:** Turn Q(M8 nut) in a anticlockwise direction to unsnatch it from front axle first).



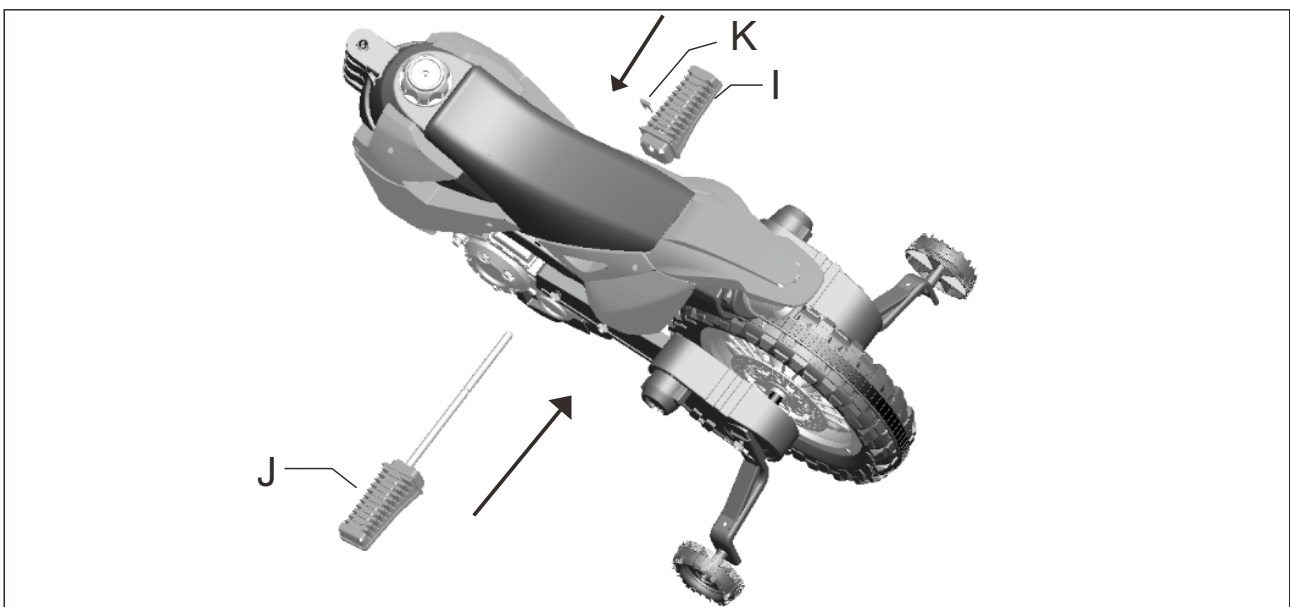
Install jockey pulley I :

1. Use Spanner in a anticlockwise direction to unsnatch two Q (M8 nuts) from the rear axle.
2. Use spanner in a anticlockwise direction to unsnatch two R (M6 nuts) from the jockey pulley fixed axis.



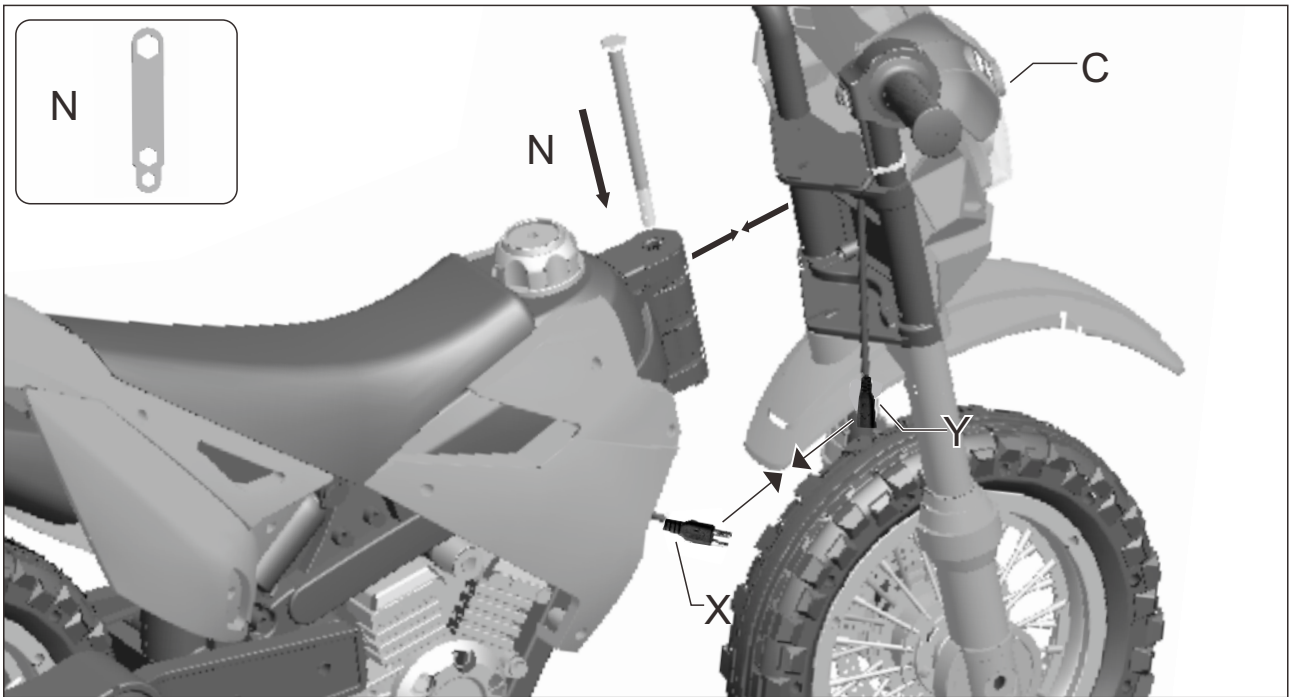
Install jockey pulley II :

1. Install L (right and left jockey pulleys) on the corresponding position as shown in figure.
2. Use spanner in a clockwise direction to fix two R (M6 nuts) on the jockey pulley fixed axis .
3. Use spanner in a clockwisw direction to fix two Q (M8 nuts) on the rear axle.



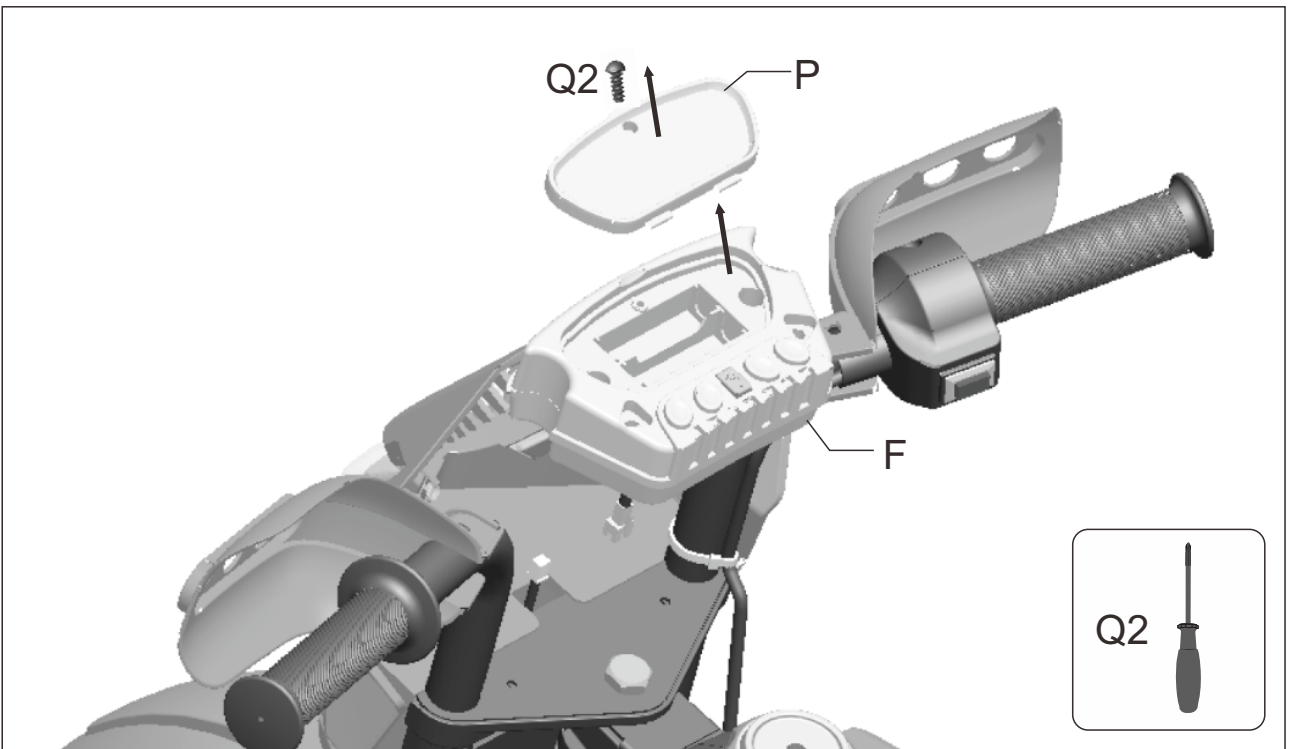
Install foot pedal:

1. Press and fix J (left foot pedal) on the corresponding position as shown in figure.
2. Press and fix I (right foot pedal) on the corresponding position as shown in figure.
3. Use K (Foot pedal hold-open catch) to fix two foot pedal.



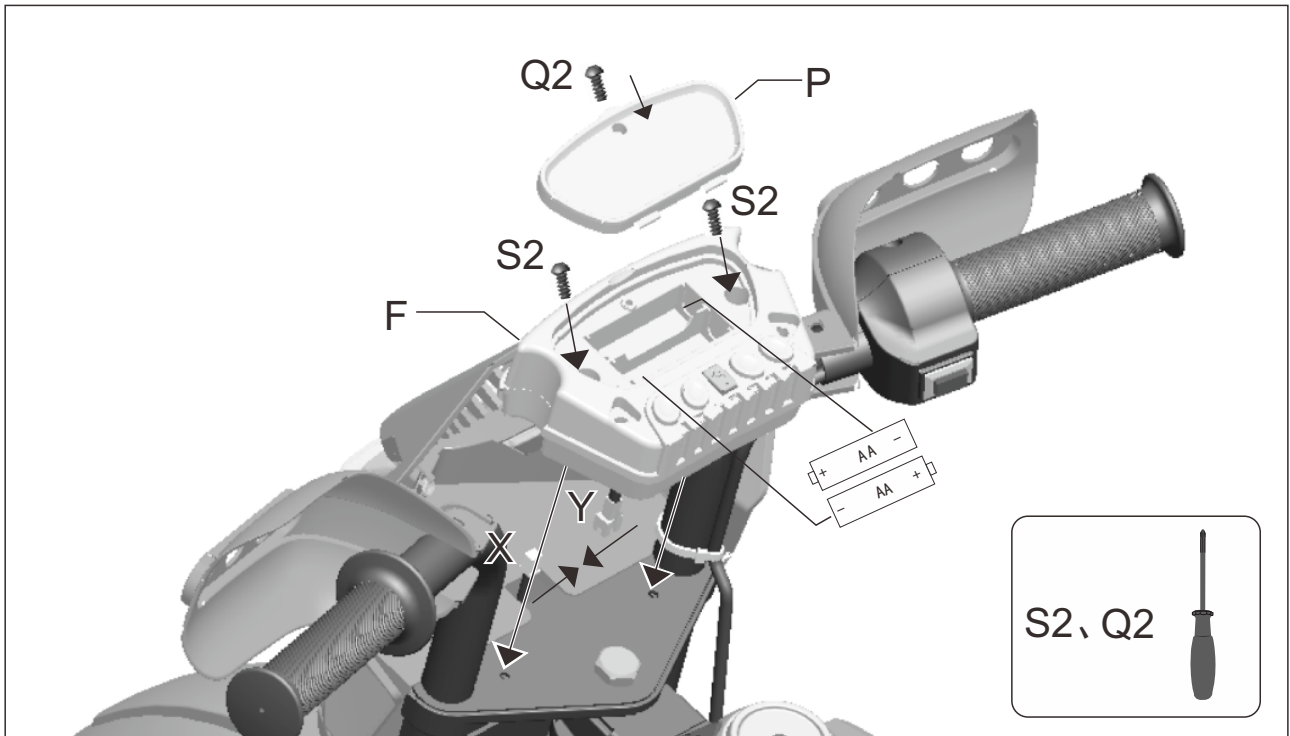
Install handlebar components:

1. Place C (handlebar components) on the corresponding position on the car body as shown in figure.
2. Press N (Steering rod fixed axis) into the hole as shown in figure, use spanner in a clockwise direction to fix it.
3. Properly connect X and Y (terminals for power supply).



Install music board I :

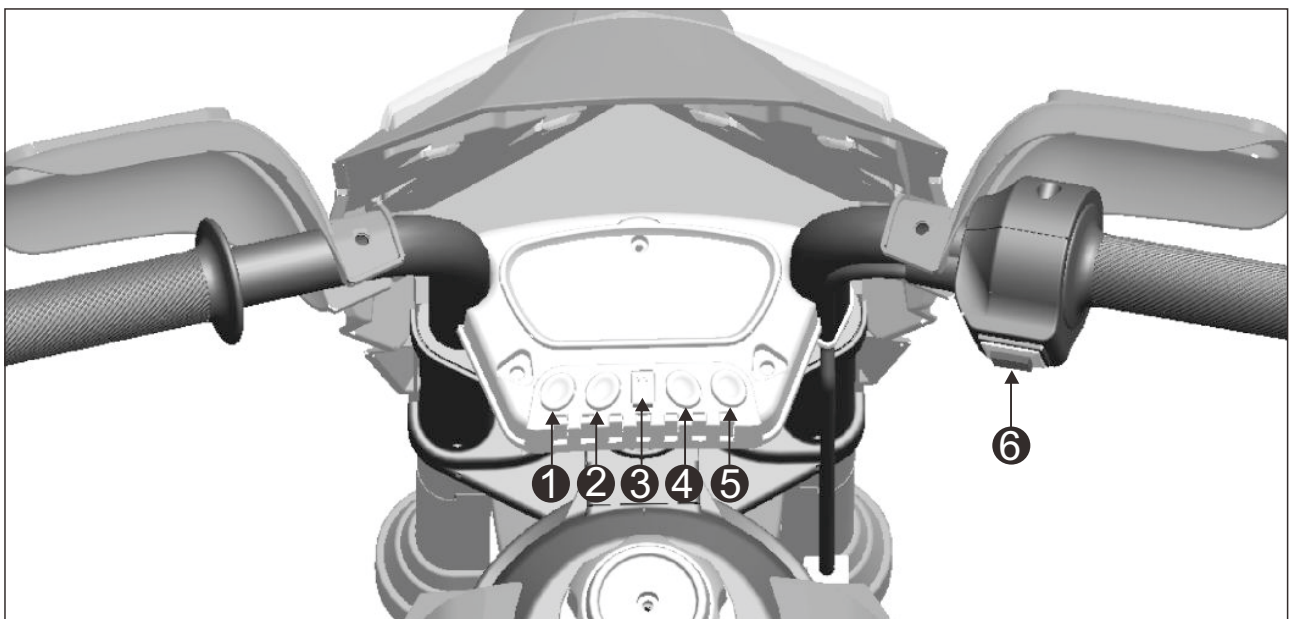
1. Use screwdriver to remove Q2(self-tapping screw).
2. Take P (music box battery cover) down from F (music box).



Install music board II :

1. Properly connect X and Y lamp line terminal.
2. Place F (music box) on the corresponding position as shown in figure.
Use two S2(self-tapping screw) to fix F.
3. Properly install two AA (No.5) 1.5V batteries.
4. Use Q2 (self-tapping screw) to fix P (music box battery cover) on the right position.

Direction for use

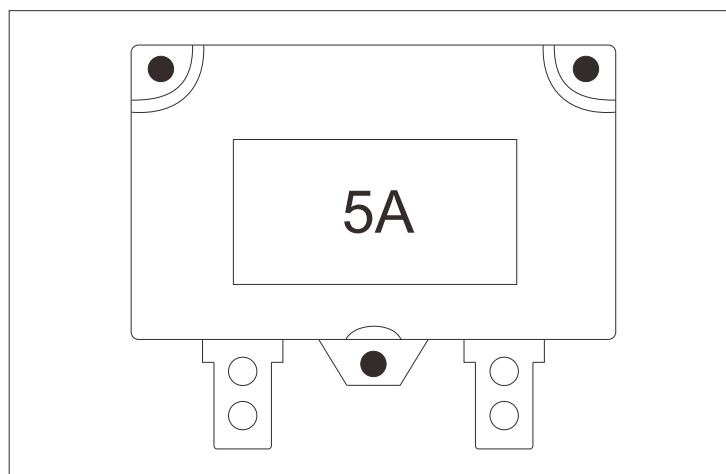


1. Instructions for press key

After the driver seated, press the driving switch to drive the car.

1. Music button
2. Horn button
3. Light button
4. Starting sound button
5. Police siren button
6. Power switch: press the power switch to drive the motorcycle

2. Instructions of the recoverable fuse



When the current exceeds 5 amperes, the recoverable fuse will automatically cut off the power supply for 5-10seconds, then the current will be resupplied. (optional).

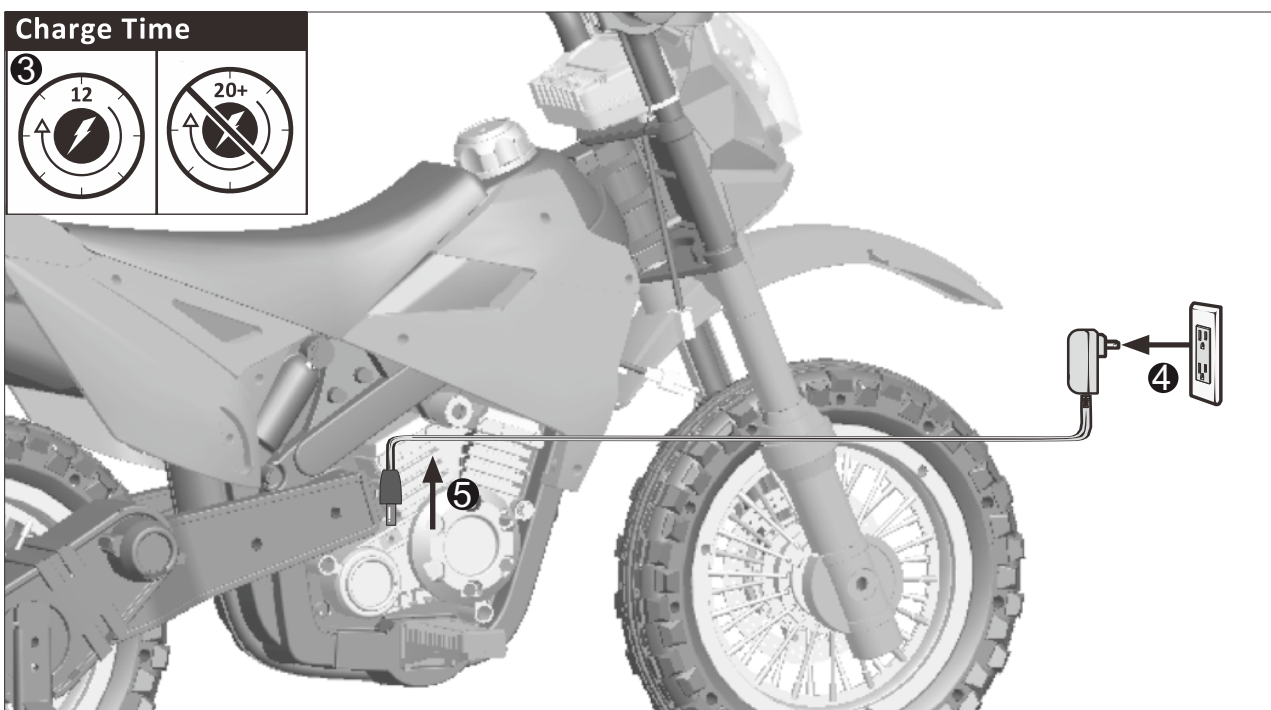
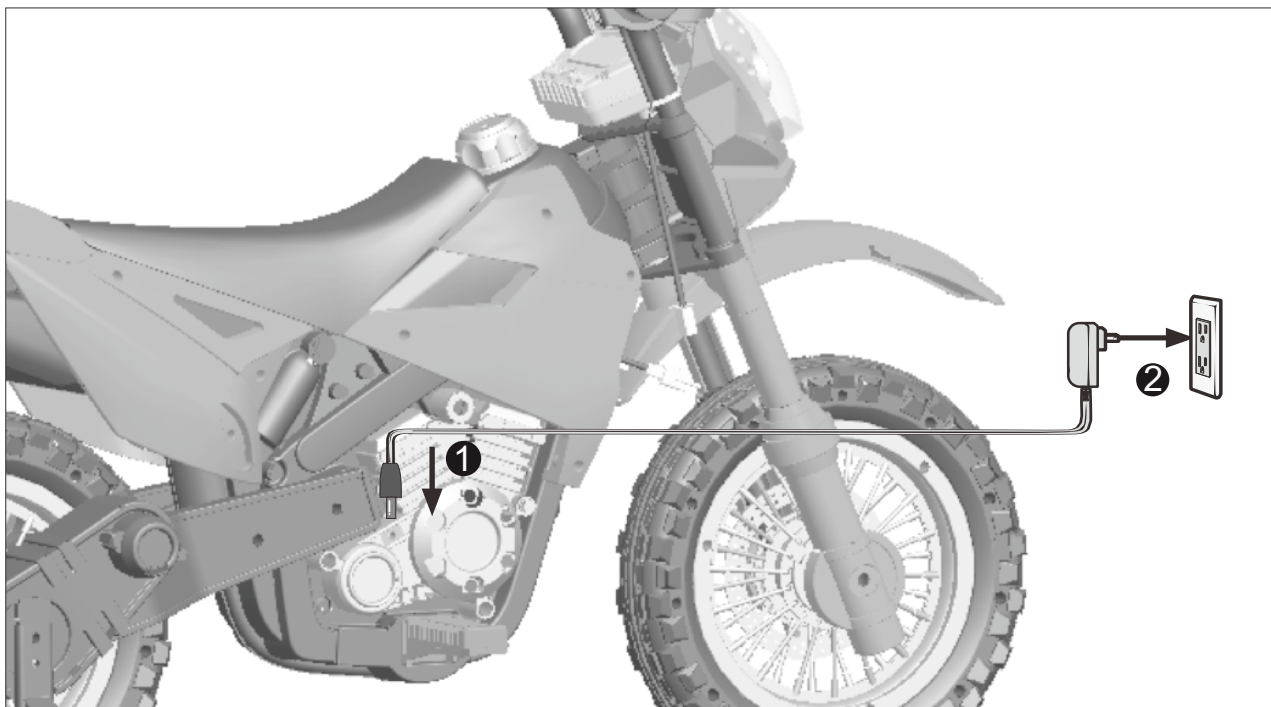
WARNING

RISK OF FIRE. Do not bypass fuse. his may overload and damage the electrical system. Replace only with original size and type.

3.Charging instructions.

⚠ WARNING!

Please plug wall charger directly into a wall outlet. Do not use an extension cord.



When battery power is low, please charge it immediately. The charging port is on the lower right of the seat. (Note: toys can not be operated in the charging state. Toys should be charged under adult supervision) .

Troubleshooting

| Fault type | Reason analysis | Trouble elimination methods |
|---|--|---|
| The motor does not rotate | <ol style="list-style-type: none"> 1. Is the fuse overloaded? (under the seat) 2. The pedal switch connector is good? 3. The welding of motor electric terminal is good? 4. The connector of the motor wire is good? 5. Remove the motor's plug-in, change to connect battery directly, then check if it rotate or not. | <ol style="list-style-type: none"> 1. Yes, the fuse cuts off the power automatically by 5-20 seconds, then restart; No, check next reason analysis 2. No, repair foot switch ; Yes, check next reason analysis 3. No, weld the terminal wire ; Yes, check next reason analysis 4. No, plug in the plug-in ; Yes, check next reason analysis 5. Still no rotation, change the motor; If rotates, it means driving circuit board needs professional maintenance, please contact with agent |
| slow speed | <ol style="list-style-type: none"> 1. Check the battery voltage is ok or not. 2. Connect the motor (including the driving gearbox) to the battery, then check the speed can be accelerated or not. | <ol style="list-style-type: none"> 1. No, charger the battery ; Yes it's ok, check next reason analysis 2. No, check next reason analysis ; Yes, it means driving circuit board needs professional maintenance, please contact with agent |
| The battery can not be recharged | <ol style="list-style-type: none"> 1. The battery connector fall off or loosened. 2. The charger has a slight heat when it is charged | <ol style="list-style-type: none"> 1. Yes, reconnect it, No, check next reason analysis 2. No, the charger is broken, replace it |
| When car is moving, the sound and light are useless | <ol style="list-style-type: none"> 1. check the sound/light switch is ok or not. 2. check the electric wire connection (from battery to headstock) is good or not? | <ol style="list-style-type: none"> 1. No, replace the switch; Yes, check next reason analysis 2. No, reconnect; Yes, check next reason analysis |
| When wheel running, the car does not move | <ol style="list-style-type: none"> 1. check the driving wheel can be rotated or not? 2. Check the gearbox, if any gear is damaged? | <ol style="list-style-type: none"> 1. Yes, lay the wheel to the ground; No, checks the next reason analysis 2. Yes, replace the gear box; No, checks the next reason analysis |
| Car is unstable, moving on and off | <ol style="list-style-type: none"> 1. Does the driver exceed the maximum load weight? 2. Does the driver ride on the rugged road? 3. Check the wheel can rotate freely? | <ol style="list-style-type: none"> 1. Yes, should follow the instruction, the car unsuitable for exceed maxweight; No, check the next reason analysis 2. Yes, should follow the instruction, ride on the flat cement road ; No, check the next reason analysis No, Troubleshooting wheel and axle |

US



001-877-644-9366
customerservice@aosom.com

CA



001-855-537-6088
customerservice@aosom.ca

UK



0044-800-240-4004
enquiries@mhstar.co.uk

DE



0049-(0)40-88307530
service@aosom.de

FR



0033-1-84166106
contact@aosom.fr

ES



0034-931294512
atencioncliente@aosom.es

IT



0039-0249471447
clienti@aosom.it