



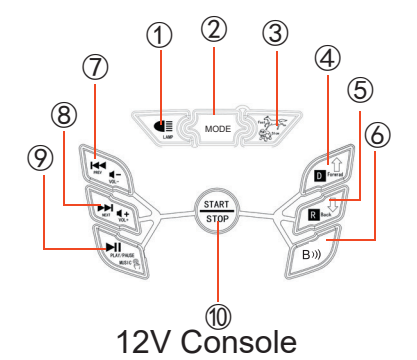
INfac013V02_US_370-136

Guide Book

- R/C controls forward/backward and left/right
- Music
- Volume adjustment
- Power display
- Forward and backward
- High and low speed
- Wireless connection

Spare parts list																		
Name	A	B	C	D	E	F	G	H	I	J	K	L	M	N	O	P	Q	R
	Car body	Buffer beam	Window frame	Steering wheel	Back handrail	Back handrail decoration	Wheel	Wheel cover	Motor	Rear axle casing	Rear axle	Seat	Flag	Charger	Remote control	Screw	Washer	Sleeve
Qty	1	1	1	1	1	2	4	4	2	1	1	1	2	1	1	4	10	2

Function show

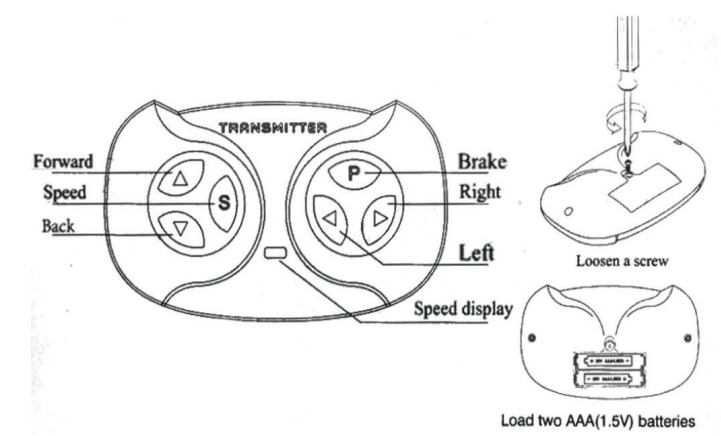


Button function	
① Light	⑦ Music switch/Volume -
② Multifunction	⑧ Music switch/Volume +
③ High/low speed	⑨ Music
④ Forward	⑩ Power
⑤ Backward	
⑥ Wireless connection	

Remote control function and explanation

2.4G Remote Control Instructions

- 1) The remote control takes two AAA batteries
- 2) Turn off the Power switch on the vehicle
- 3) Hold Down '▲' and '▼' keys for 3 seconds to start match code.
The first LED will flicker
- 4) Now turn on the vehicle power switch. The red indicator lights will



Remote control battery operation

- Take off the battery cover. Put two AAA1.5V remote control battery in with right polarity.
- New and used batteries can not be used mixed.
- Do not insert batteries into wrong polarity, or will be short-circuited.
- Non-rechargeable batteries can not be recharged. Exhausted batteries should be replaced by adults.
- The exhausted battery must be handled and operated properly by adults only. Do not be played by children.



Product specification	
Name	Specification
Battery	12V10A*1
Suitable age	37-95 months
Loading capacity	35kg
Product size	130*85*91cm
Speed	3-5 km/h
Charg/Use time	charge 8-10h, use 1-2h
Charger	Input: 100V-120V Output: 12V DC 1000mA
Remote control	AAA1.5V

Need Help?
watch the assembly video by scanning code with your phone's camera, or visit



How to assemble

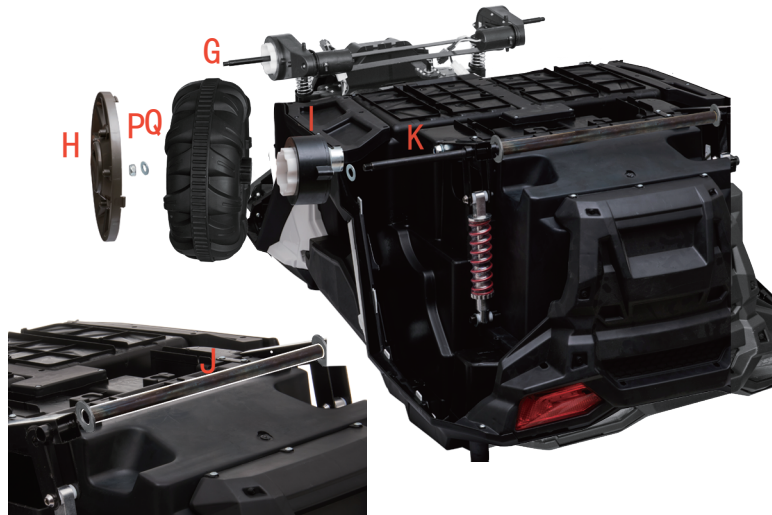
1. How to rear shock absorber spring

Turn the car over, take off the screw and washer from the rear shock absorber axle, insert the spring to the axle and use washer and screw to tighten. The other side in the same way.



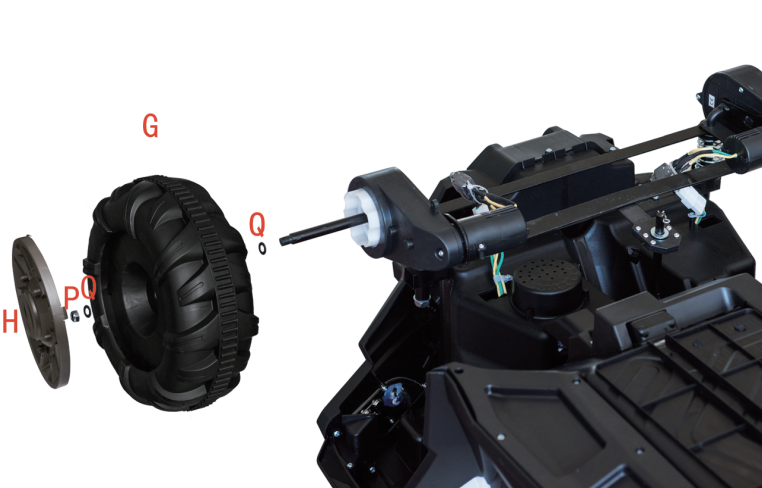
2. How to assemble rear axle and rear wheel

Put the rear axle through rear shock absorber hole, washer, rear axle casing and rear shock absorber hole. Add washer, motor, rear wheel, washer, use screw to tighten. Add wheel cover finally. The other side in the same way.



3. How to assemble front wheel

Add washer, front wheel, washer to front axle, use screw to tighten. Add wheel cover finally. The other side in the same way.



4. How to assemble buffer beam and window frame

Insert buffer beam and window frame into the right place on the car.



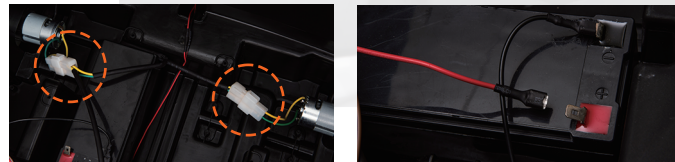
5. How to assemble steering wheel

Take off screw and nut from steering wheel, insert steering wheel to direction lever, use screw to tighten.



6. Connect the lines

Connect motor line and battery line. Turn on the power to check line connected right or not.



7. How to assemble seat, back handrail and flag

Insert seat into the right place on the car, use screw to tighten. Insert back handrail and flag into the right place on the car.



Warning

For children's safety, please read these carefully.

- Assembly and adjustment must be done by adults, keep children away.
- Keep children under 36 months away from small parts.
- Safe belt is a must when children playing. Do not be close to fire.
- Adult must teach how to play it and never leave children alone for playing.
- Do not stand up or play when children are stepping on foot pedal.
- Battery must be charged by adults only. Please charge it first before use.
- Keep children away from plastic bag, or suffocation may occur.
- Only use spare parts which provided by manufacturer.
- Charger is not a toy for playing.
- Maximum loading capacity is 35KG. Do not overload.
- Suitable age: 37-95 months.

Safety use

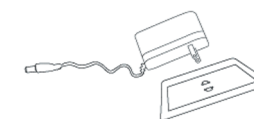
- Do not play in the street, road, slope or ditch.
- Do not change the line or add electric device to the car.
- Play the car in the dry area, not wet. Keep away from fire, or may damage the line.
- One or two riders one time only. Do not overload.
- Maximum capacity is 35KG.
- Turn power off if no use. If long time no use, unplug battery line.
- Check battery, charger and other spare parts regularly. If any problem, please fix it before playing.

Charging notification

- For the first use, please charge 10 hours, or will damage the battery.
- Plug charger DC line into charge hole first, then plug charger into socket. Car can not be played when it charging.
- Every time it charged, do not charge more than 18 hours. It is normal that charger and battery warm (under 60°) during charging.
- Do not charge if plug is wet, or will occur short-circuited.
- Only use charger provided by manufacturer, or will damage charger and battery or occur short-circuited.
- If long time no use, please charge 1 time per month at least.

Charging step

- Step 1: Charge hole is under the seat.
- Step 2: Plug charger DC line into charge hole.
- Step 3: Plug charger into socket.



Warning: Car must be charged by adults only. Car is useless during charging.

Problem solution

Problem	Analysis	Solution
	Battery low power Fuse protect	Charge battery Reuse a few minutes later
Car can not move	Power not turn on Battery line loose Battery damaged Electric device damaged Motor damaged	Turn on it again Reconnect Replace a new one Replace a new one
Battery can not be recharged	Battery connector loose Charger not plug in Charger damages	Reconnect Replug Replace a new one
Car does not run very long	Battery power low Battery is old	Recharge Replace a new one
Charger feels warm when charging	Chemical reaction	Normal
Speed slow	Battery is old Battery power low Overloaded Road is not even	Replace a new one Recharge Reduce weight under 35KG Play in a smooth area

Maintenance instruction

- Check battery, charger and other spare parts regularly. If any problem, please fix it before playing.
- Use lubricating oil to care iron parts. Keep car away from fire and sunshine. Park it on the even place, not reversal or gradient.
- Park it indoor and cover it with waterproof cloth.
- Keep car away from fire, like stove or heater, or plastic may melt.
- Keep away from flammable things, or may occur fire accident.
- Charge it after use and must be done by adults only. If long time no use, please charge it 1 time per month, in order to maintain battery.
- Clean the vehicle with a dry cloth only. Do not use chemical solvent to wipe plastic parts. Do not wash it with water or play it when raining or snowing. Water will damage motor, electric system or battery.
- Please turn power off after each use.
- Only use charger provided by manufacturer.
- Do not change car's structure or electric line. Check job request some skills or under specialist's guidance.

