
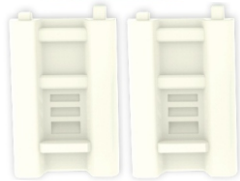












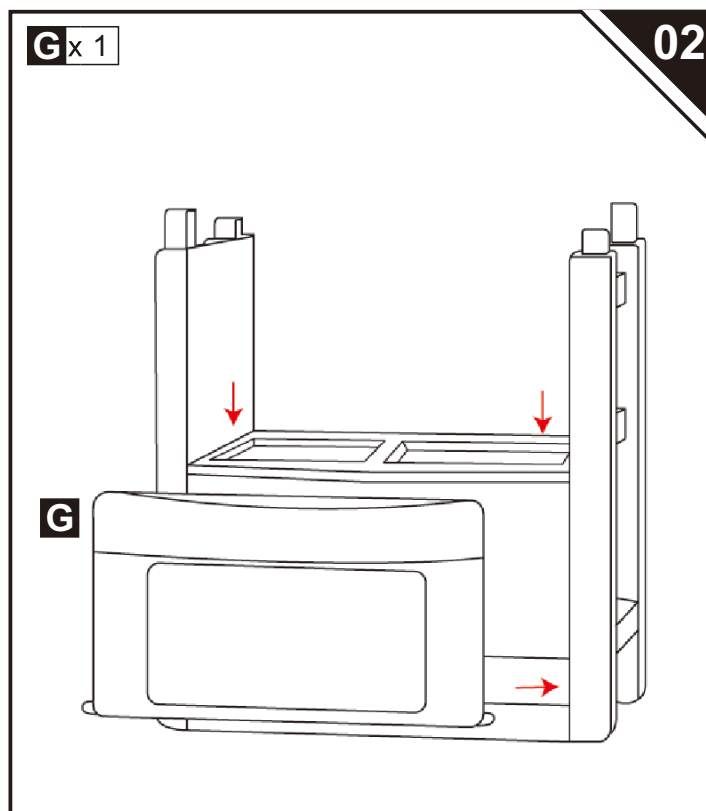
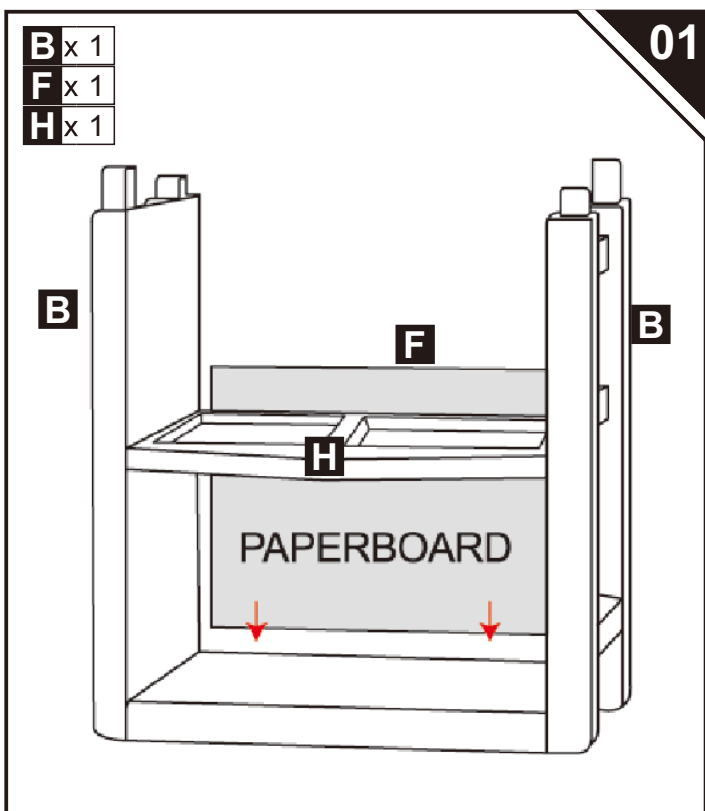




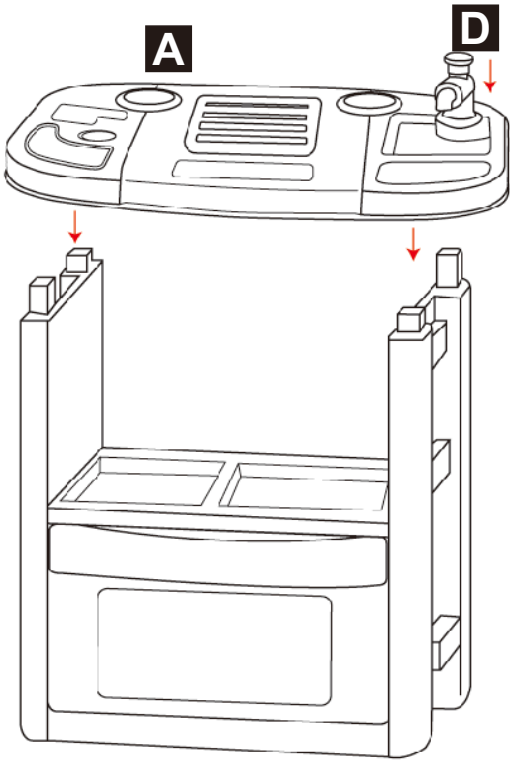
Warning! Not suitable for children under three years due to include small parts
Avvertimento! Non adatto a bambini di età inferiore a tre anni a causa della presenza di piccole parti
Warnung! Nicht geeignet für Kinder unter drei Jahren, da kleine Teile enthalten sind
Avertissement! Ne convient pas aux enfants de moins de trois ans car il comprend de petites pièces
¡Atención! No apto para niños menos de 3 años a causa de las piezas pequeñas incluidas
Warning: CHOKING HAZARD— Small parts. Not for children under 3 years.

	A x 1		B x 1		C x 1
	D x 1		E x 1		F x 1
	G x 1		H x 1		I x 1
	J x 1		K x 1		L x 1
	M x 1			N x 1	



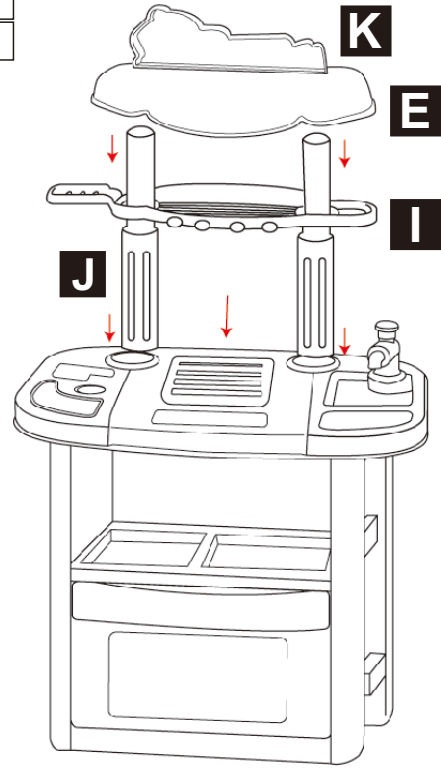
A x 1
D x 1

03

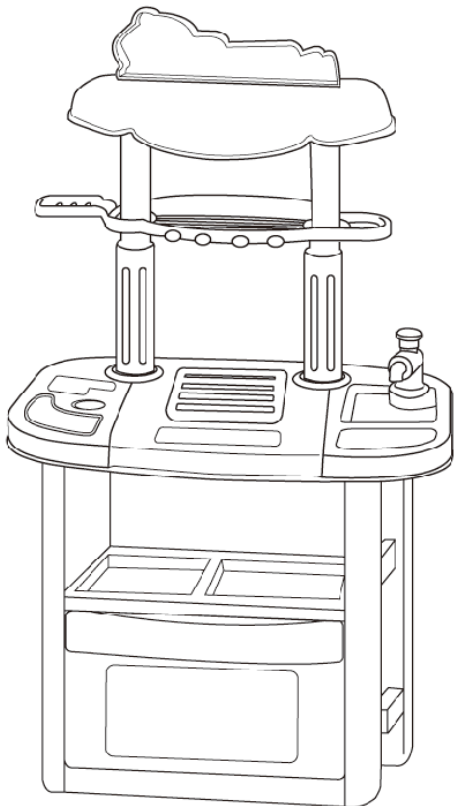


E x 1
I x 1
J x 1
K x 1

04



05



C x 1
L x 1
M x 1
N x 1

06



Done

US



001-877-644-9366
customerservice@aosom.com

CA



001-855-537-6088
customerservice@aosom.ca

UK



0044-800-240-4004
enquiries@mhstar.co.uk

DE



0049-(0)40-88307530
service@aosom.de

FR



0033-1-84166106
contact@aosom.fr

ES



0034-931294512
atencioncliente@aosom.es

IT



0039-0249471447
clienti@aosom.it