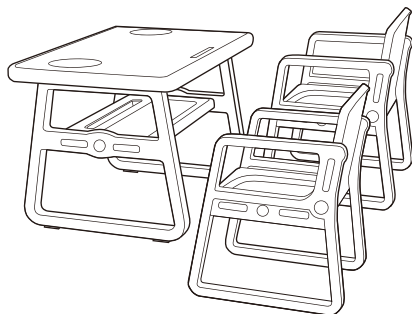




INfca041\_US

**312-020**



## **User's Manual Kids Desk Chair Set**

**Caution!** Assembly for adults only, keep away from children!

READ AND SAVE THIS INSTRUCTION FOR FUTURE USE

# **ASSEMBLY INSTRUCTION**

# Product Introduction

---

## 1.Product Information

Model: 312-020

Product specification: 1 x Desk, 2 x Chairs

Applicable Age: 1-3 years old

Main material: HDPE

## 2.Product Feature:

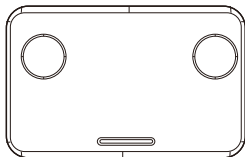
(1)With stable structure and great durability, enviromental PE material will not be out of shape because it is not affected by the climate and temperature difference.

(2)With humanized design, the desk edge is non-slipping, resisting to dirt and easy to clean.

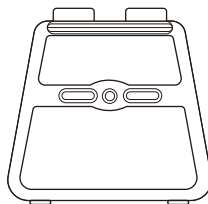
(3)Being safe, compact, easy to transport and disassemble, it is applicable for home, kindergarden, nursery, children's palace, etc.

## Product Accessories

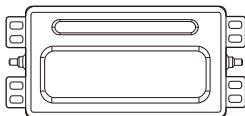
---



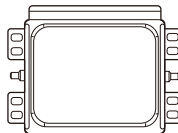
A.Deskboard x 1



B.Desk side panel x 2



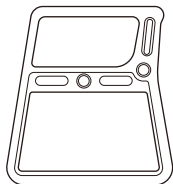
C.Desk transom board x 1



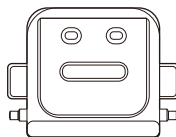
D.Chair seat board x 2

## Product Accessories

---



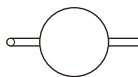
E. Chair side panel x 4



F. Chair backrest x 2



G. Nut x 10



H. Plastic tightening strip x 1

Before assembly,

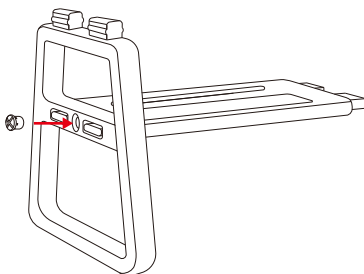
check whether the accessories are complete.

## Product Assembly - Desk

---

1

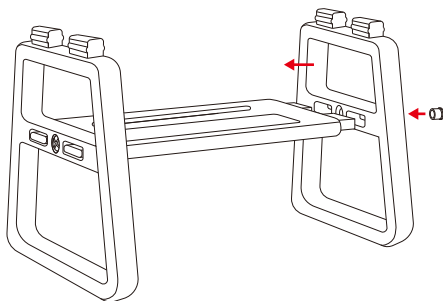
Insert the transom board uprightly into the rung into the rung in the middle of the side panel. Install the nut at the position shown in the diagram (the nut can be tightened with a coin) to strengthen the connection.



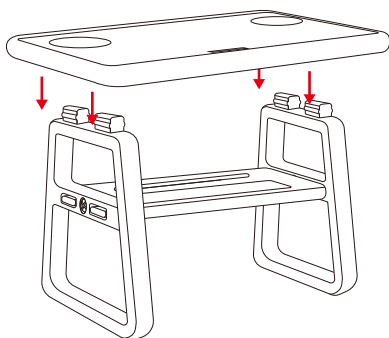
## Product Assembly - Desk

---

- 2** Connect the other end of the transom board to the other side panel in the same way.



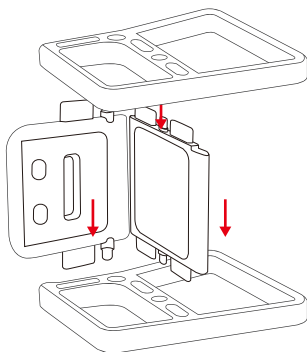
- 3** Point the grooved side of the deskboard downward and aim it at the corresponding position of the side panel. Press hard and install the deskboard (when hearing the sound of “click”, it means it has been firmly installed).



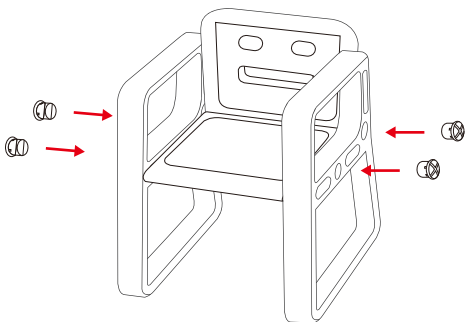
## Product Assembly - Chair

---

- 1** According to the order of the chair side panel, chair backrest, chair side panel, insert them to the 3 sides of the chair seat board.

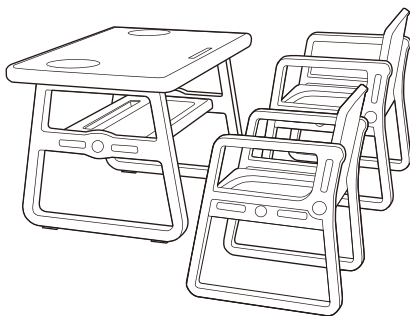


- 2** Strengthen the positions shown in the diagram with nuts.



## Use Instruction

---



1. Please use it on a flat, spacious floor.
2. Before using it, please check whether all parts are firm and whether the product is shake and needs to be adjusted.
3. In the process of use, please check regularly or irregularly whether all parts are loose. If so, please tighten them in time.

## Product Failure and Troubleshooting

---

Fault phenomenon: The desk and chair is shaking and unstable.

Cause analysis: The nuts are not tightened; the parts assembly do not fit.

Troubleshooting: Tighten the nuts, adjust the positions of parts, ensure desk and chair stable.

## Maintenance

---

1. Avoid the direct sunlight and keep away from heat and fire sources;
2. Please wipe the stains on the surface of the desk and chair with a dry cloth. If necessary, you can use mild soap and detergent to clean. After cleaning with a soft wet cloth, dry it with a dry cloth;
3. Keep away from sharp objects from scratches and damage;
4. If not used for a long time, please keep it in a cool and dry place and cover it with a clean cloth or blanket (do not use plastic).

# Precautions

---

- 1.The product is suitable for children aged 1 - 3 years.
- 2.Please use it under adult's guardianship. Children are not allowed to climb or trample on it, so as to avoid rollover and danger.
- 3.Keep away from fire and other strong heat sources.
- 4.Do not place it in water or on permeable ground.
- 5.Packaging materials are not toys. Please well keep them away from children.
- 6.Assembly is only allowed for adults. Please be careful and keep away from children when assembling.

## The Charge Index of Harmful Substance Limit

---

Plastics	Phthalates Gross(DBP、BBP、DEHP、DNOP、DINP、DIDP)	≤0.1%
----------	---	-------

Warm Tips: Due to the process limitation, there may be some small black spots on the product, which is a normal phenomenon and does not affect the normal use.



001-877-644-9366  
customerservice@aosom.com



001-855-537-6088  
customerservice@aosom.ca



0044-800-240-4004  
enquiries@mhstar.co.uk



0049-(0)40-88307530  
service@aosom.de



0033-1-84166106  
contact@aosom.fr



0034-931294512  
atencioncliente@aosom.es



0039-0249471447  
clienti@aosom.it