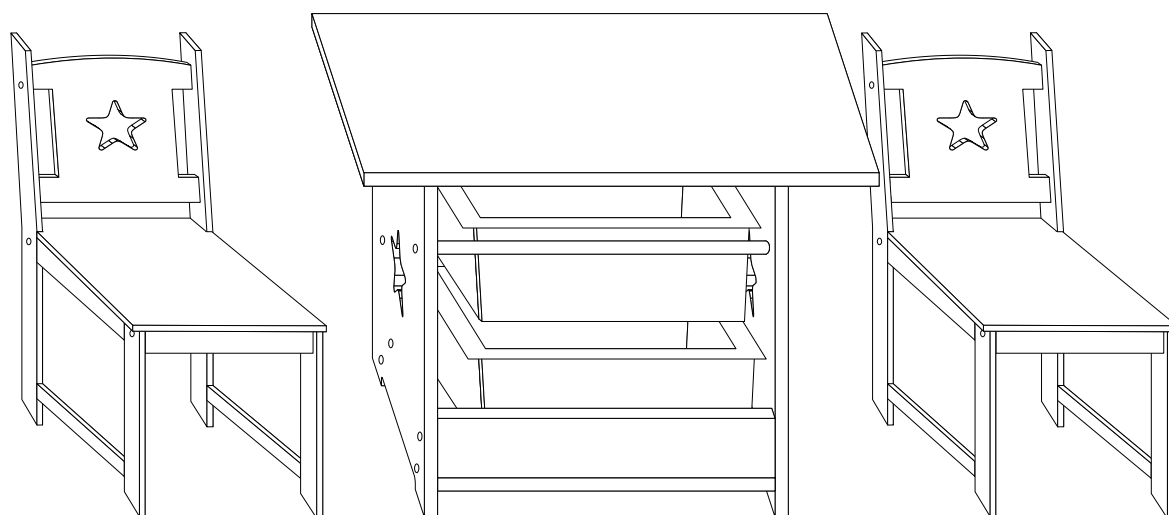




INfca103\_US\_CA

**312-054**

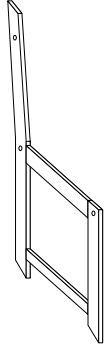
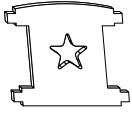
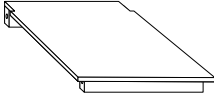
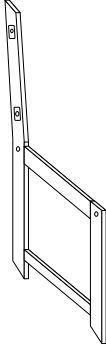
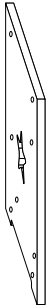
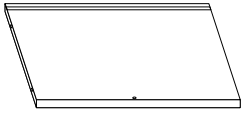
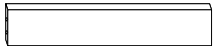
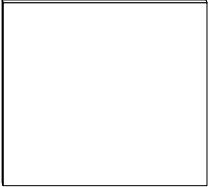
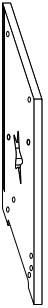

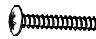
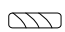
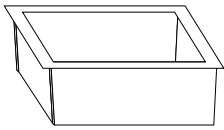


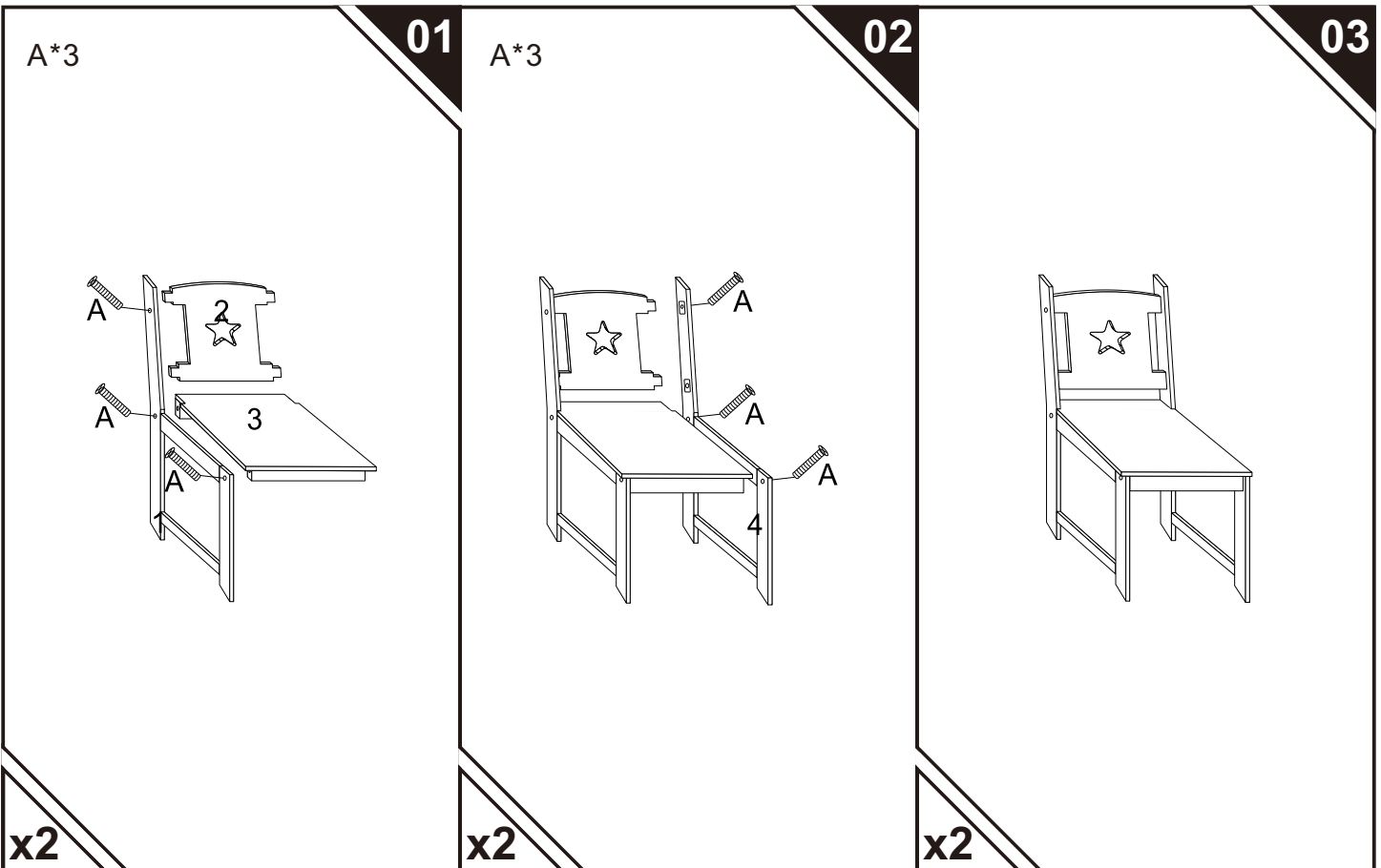
EN: **WARNING:** CHOKING HAZARD—Small parts. Suitable for children of 2-4 years old; Max weight: 40 kg. Only allowed for adults to install, keep children away.

FR: **Attention:** RISQUE D'ÉTOUFFEMENT - Petites pièces. Convient aux enfants de 2 à 4 ans; Poids maximum : 40 kg. Seulement autorisé pour les adultes à installer, éloigner les enfants.

**IMPORTANT, RETAIN FOR FUTURE REFERENCE: READ CAREFULLY**

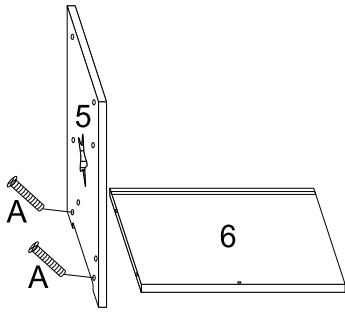
**ASSEMBLY INSTRUCTION**

|   |  |  |  |  |
|---|--|--|--|--|
|  <p>1: 2PCS</p>                            |  <p>2: 2PCS</p>                           |  <p>3: 2PCS</p>                |  <p>4: 2PCS</p> |  |
|  <p>5: 1PC</p>                             |  <p>6: 1PC</p>                            |  <p>9: 1PC</p>                  |  <p>11: 1PC</p> |  <p>12: 1PC</p> |
| <p>5X40mm</p>  <p>A: 23PCS (+1spare)</p> | <p>4X40mm</p>  <p>B: 6PCS (+1spare)</p> | <p>6X30mm</p>  <p>C: 2PCS</p> |               |  |



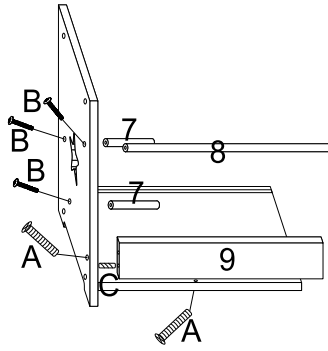
A\*2

04



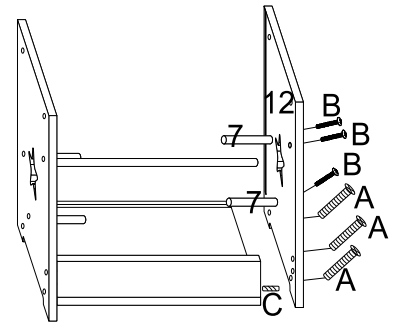
A\*2  
B\*3  
C\*1

05



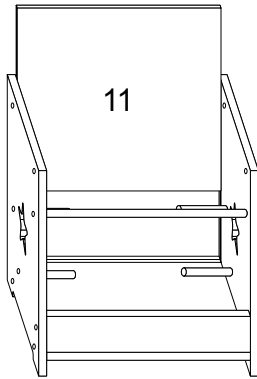
A\*3  
B\*3  
C\*1

06

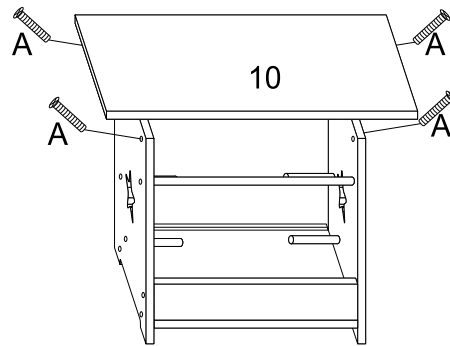


07

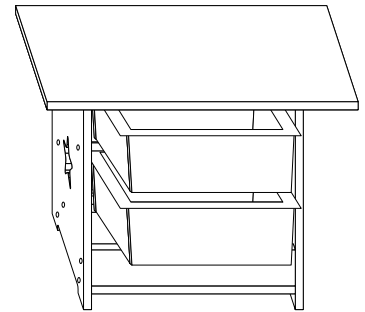
A\*4



08



09



10

