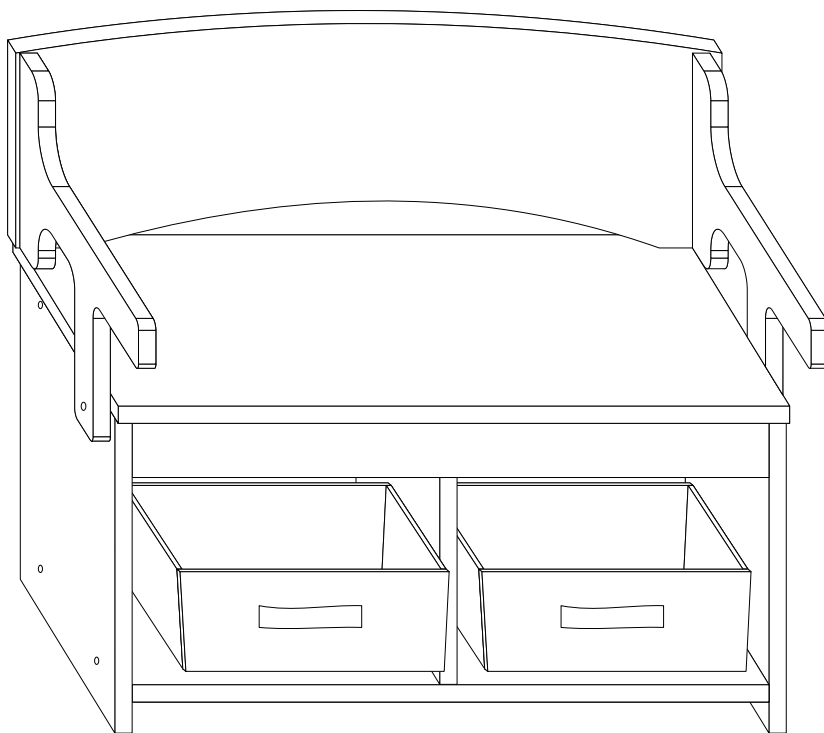




INfca106\_US\_CA

**312-057**

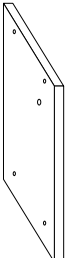
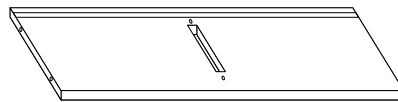
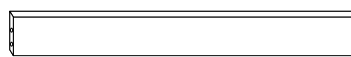

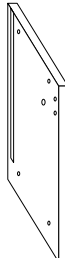

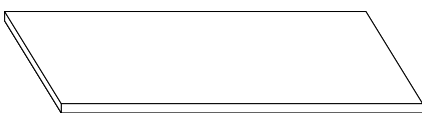
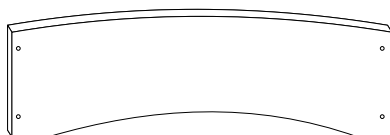
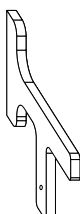
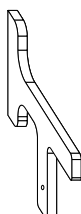
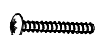
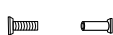

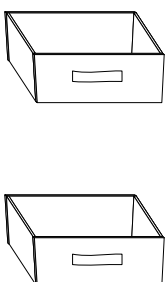


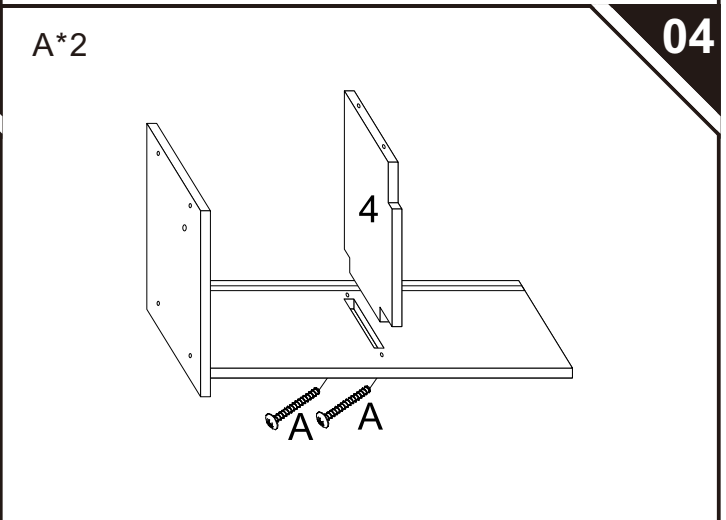
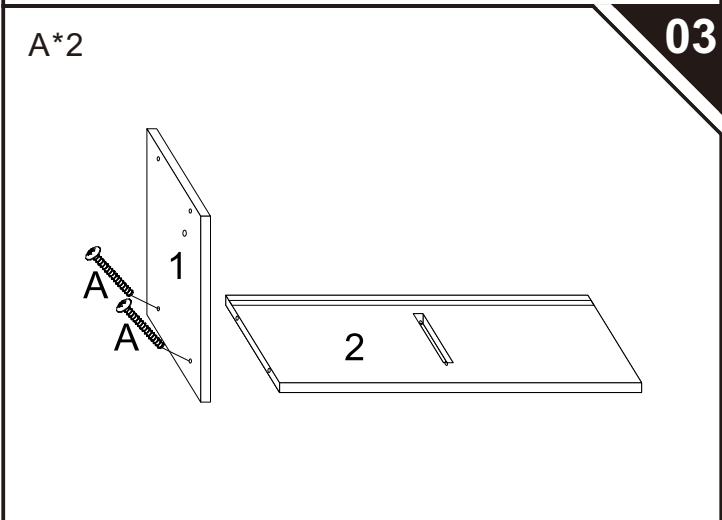
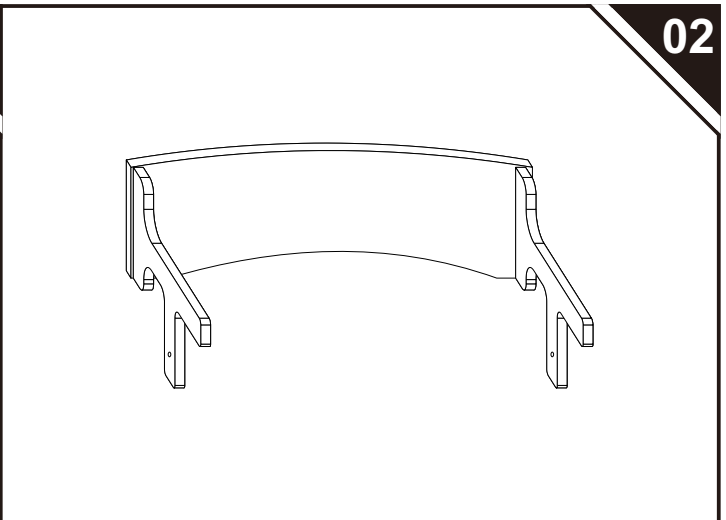
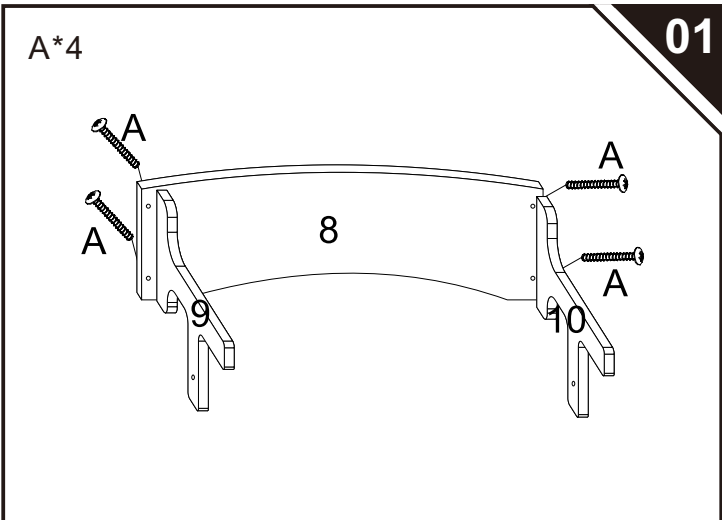
EN: **WARNING:** CHOKING HAZARD—Small parts. Suitable for children of 2-5 years old; Max weight: 50 kg. Only allowed for adults to install, keep children away.

FR: **Attention:** RISQUE D'ÉTOUFFEMENT - Petites pièces. Convient aux enfants de 2 à 5 ans; Poids maximum : 50 kg. Seulement autorisé pour les adultes à installer, éloigner les enfants.

**IMPORTANT, RETAIN FOR FUTURE REFERENCE: READ CAREFULLY**

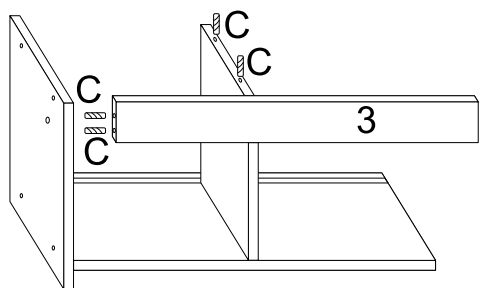
# ASSEMBLY INSTRUCTION

 <p>1: 1PC</p>	 <p>2: 1PC</p>  <p>3: 1PC</p>	 <p>4: 1PC</p>	 <p>5: 1PC</p>		
 <p>6: 1PC</p>	 <p>7: 1PC</p>	 <p>8: 1PC</p>			
 <p>9: 1PC</p>	 <p>10: 1PC</p>	<p>5X30mm</p>  <p>A: 14PC (+1spare)</p>	 <p>B: 2PCS</p>	<p>6X30mm</p>  <p>C: 6PCS (+1spare)</p>	



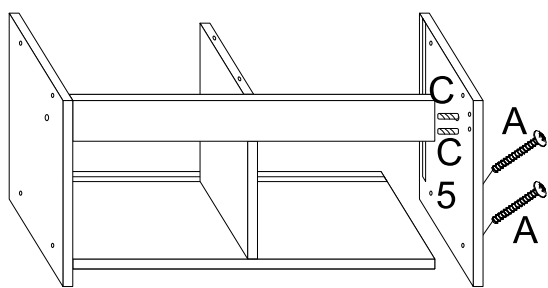
C\*4

05



A\*2  
C\*2

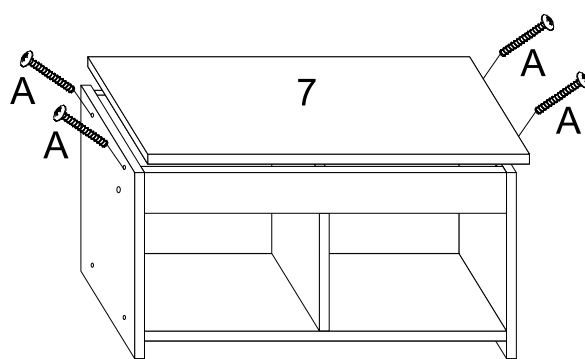
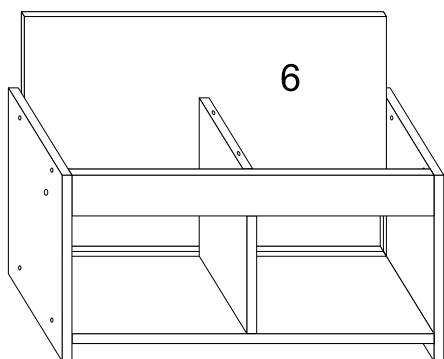
06



07

A\*4

08



B\*2

09

10

