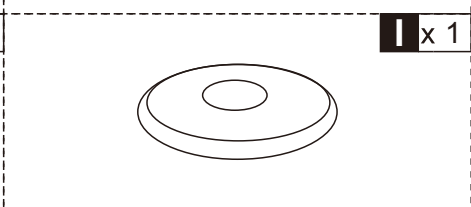
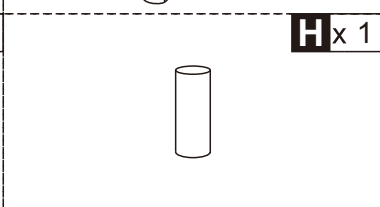
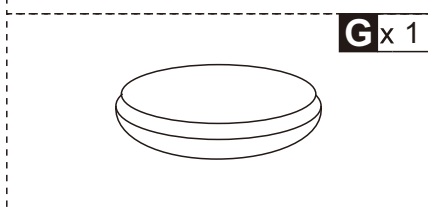
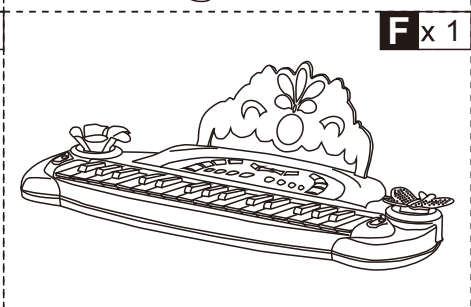
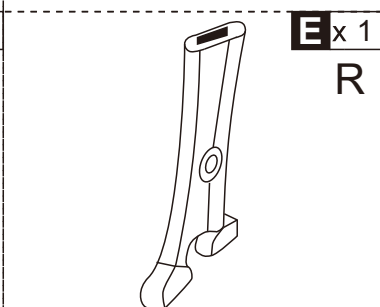
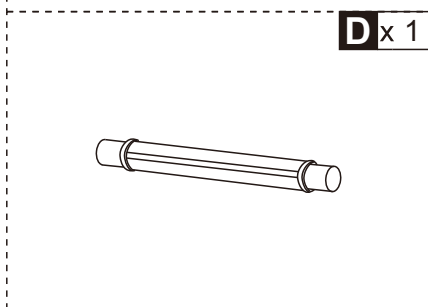
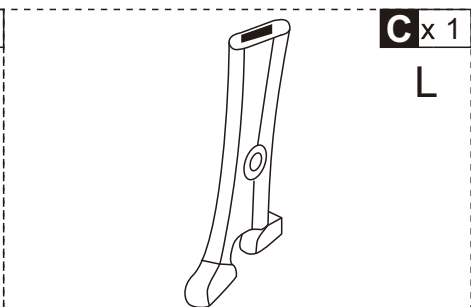
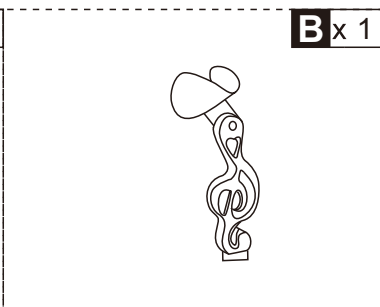
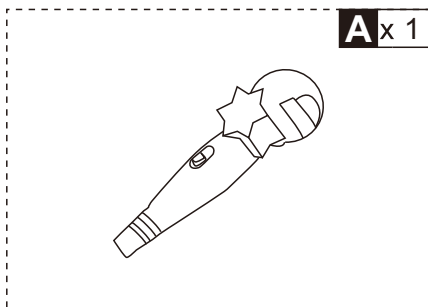


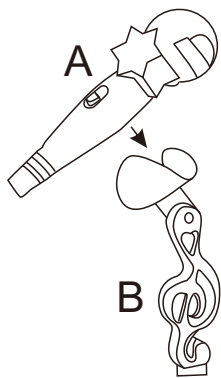


IMPORTANT, RETAIN FOR FUTURE REFERENCE: READ CAREFULLY

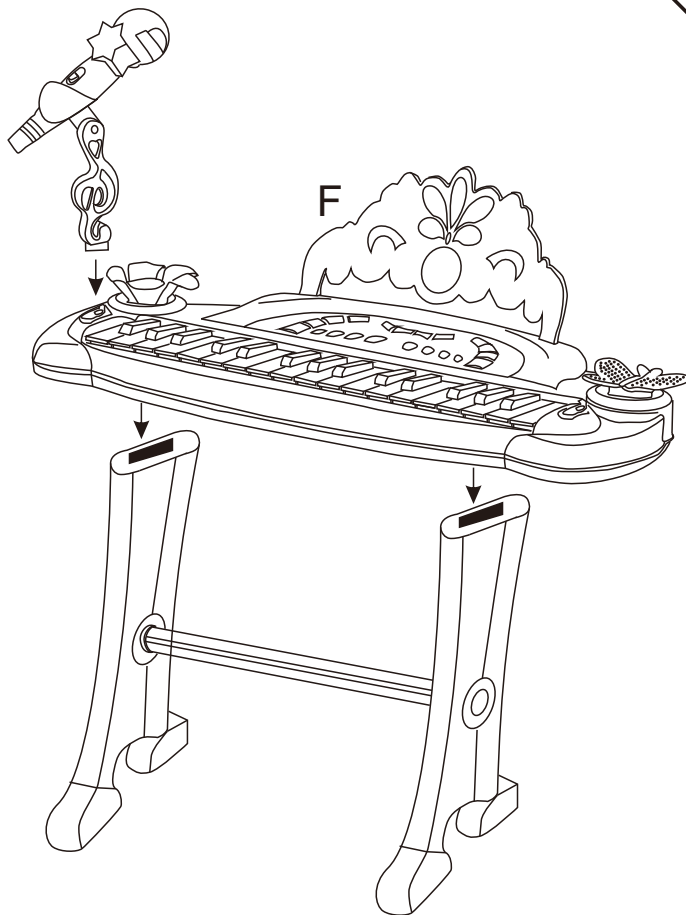
ASSEMBLY INSTRUCTION



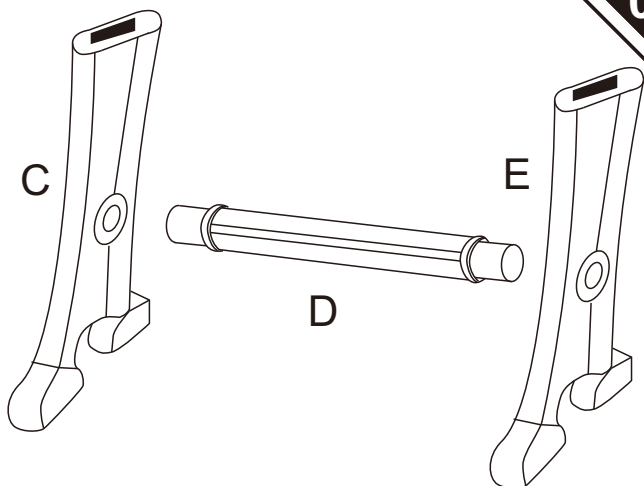
01



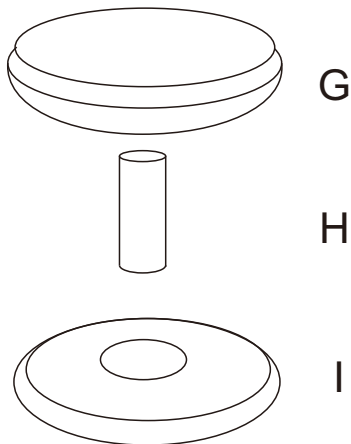
03



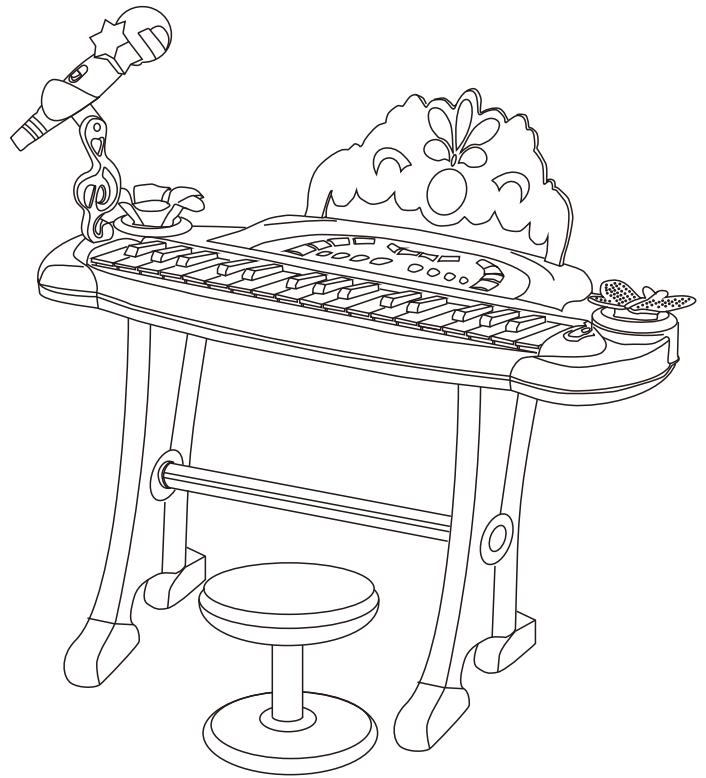
02



04



05



390-005 Kids Electronic Organ / Musical toy Manual

Before using the Kids Electronic Organ for the first time, kindly take time to carefully read the instructions. Please observe all safety precautions and follow operating procedures. After reading, kindly store the instructions in a safe place for your future reference. If you pass this Kids Electronic Organ to a third party, please include the instructions as well.

Item No.390-005

INSTALLATION

Please refer to the pictures of "ASSEMBLAGE DRAWING" TO be assembled by adults.

Before use:

Open the back battery compartment with a screwdriver and install 4 AA batteries (not included). Close the lid. Batteries are to be inserted with the correct polarity.

MICROPHONE

Please set up microphone frame on clappers.
Please insert microphone plug in MIC joint.

OPERATE

Open the toy, pull out power switch to the "ON" position.

"SWITCH"

Press the key of switch and you can switch 4 drumbeats to 4 Animals.

"VOLUME"

classes of volume control: press the volume UP, the volume will turn up one class; Press Volume DN, the volume will turn down one class.

"DEMOALL"

Press DEMOALL KEY to broadcast DEMO SONG

"OK/ON"

Press the One key to enter the one key function, while press the white key to select song. After the song is selected, press any key to play and repeat this song.

Record/Play/Auto-stop

This keyboard has the function of recording and can play repeatedly. This system will play a piece of music and stop automatically if you do not touch any key within three minutes.

MAINTAIN WITH SUPPORT

- *Avoid moisture and dust;
- *Avoid conducting electricity;
- *Avoid corrosive liquid or small article entering the inner part.
- *Avoid collision and heavy pressure.
- *Do not use corrosive liquid to wash the surface

Goods should not be subjected excessive heat or corrosion environment.

*Please keep the battery out and put the product in plastic bag, then put it in packing box if long turn storage.

- *If any problem occurred, please sent it to qualified maintainer;
- *Do not assemble or repair it by your self.
- *Please keep the packing bag out of the reach of children to avoid accident.
- *Please put the drum stick back to the shelf after use it.

BATTERY WARNING AND CAUTION

- *Replacement of batteries must be done by adults.
- *Do not mix alkaline, standard or rechargeable batteries.
- *Never mix old and new batteries.
- *Batteries are to be inserted with the correct polarity.
- *Exhausted batteries are to be removed from the toy.
- *Rechargeable batteries are to be removed from the toy before being charged.
- *Rechargeable batteries are only to be charged under adult supervision.
- *This toy is for kids ages 3 and up. Adult supervision is required.

US



001-877-644-9366
customerservice@aosom.com

CA



001-855-537-6088
customerservice@aosom.ca

UK



0044-800-240-4004
enquiries@mhstar.co.uk

DE



0049-(0)40-88307530
service@aosom.de

FR



0033-1-84166106
contact@aosom.fr

ES



0034-931294512
atencioncliente@aosom.es

IT



0039-0249471447
clienti@aosom.it