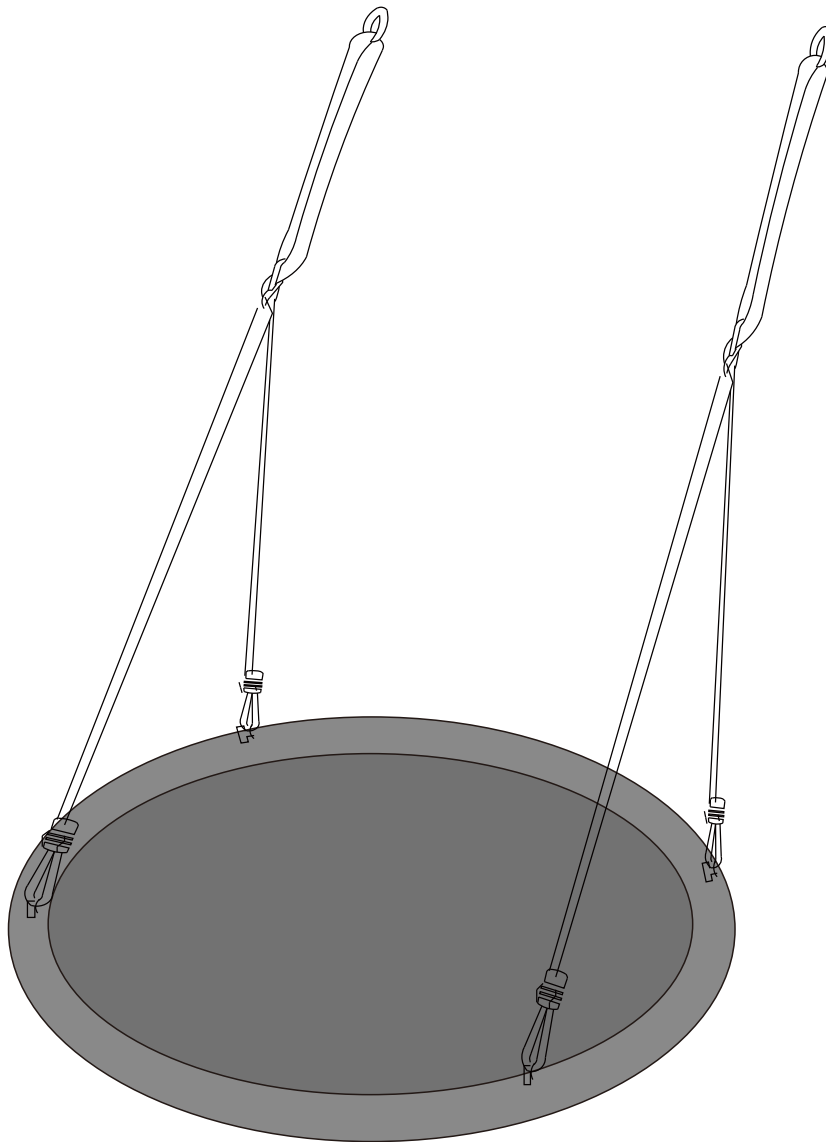




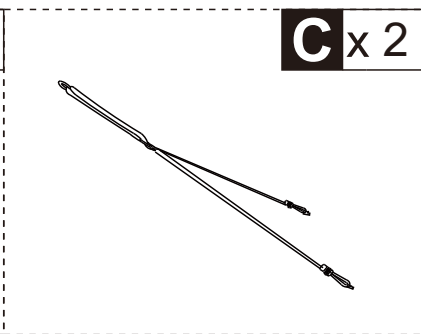
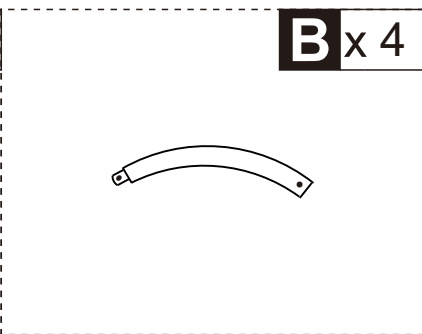
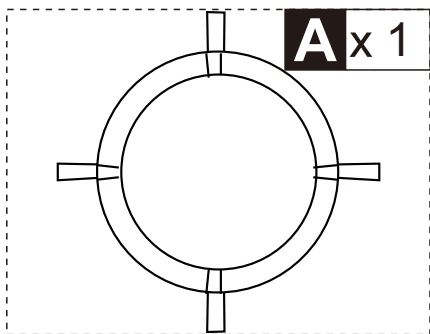
INffc020V02_GL

84A-096

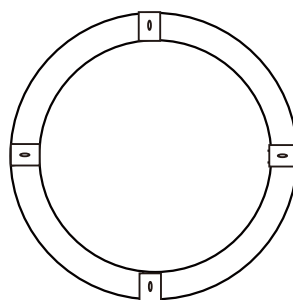
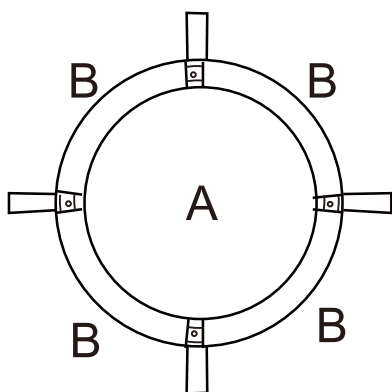


IMPORTANT, RETAIN FOR FUTURE REFERENCE: READ CAREFULLY

ASSEMBLY & INSTRUCTION MANUAL



01



02

