



Assembly video please scan the QR code .

**READ AND SAVE THIS INSTRUCTION FOR FUTURE USE**



# ASSEMBLY INSTRUCTION

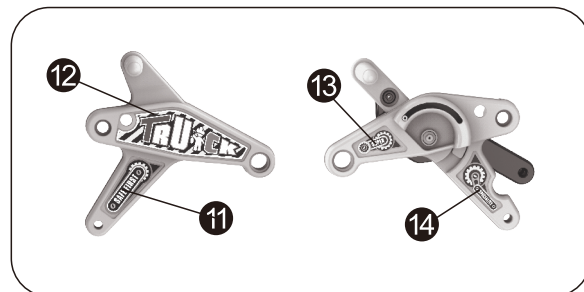
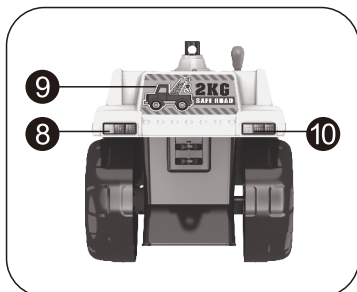
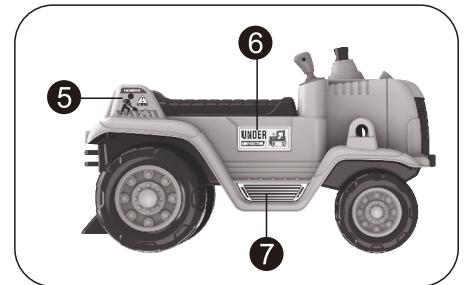
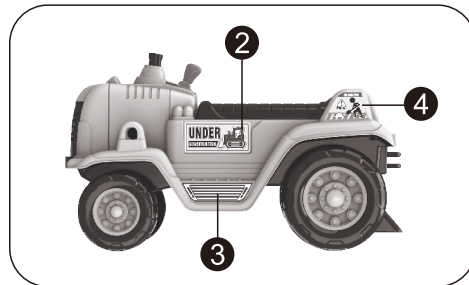
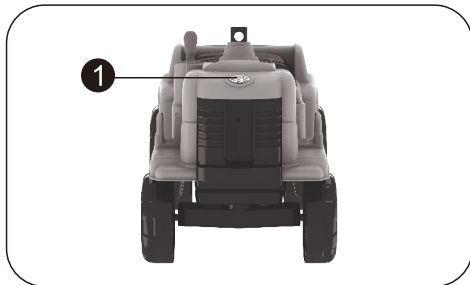
## Install Instruction:

The product should be assembled by an adult, referring to its assembly diagram or product images.

## WARNINGS

1. The product should be assembled by an adult!
2. Away from fire! Away from water!
3. **CHOKING HAZARD - Small parts. Not for children under 3 years!**
4. To be used under the direct supervision of an adult.
5. FOR AGES 3 years & ABOVE.
6. Maximum user weight:44 LB
7. Driving on pavement or other danger zone is forbidden.
8. To reduce the risk of injury, Never use in roadways, near motor vehicle, on or near steep inclines or steps, swimming pools or other bodies of water, always wearing shoes and never allow more than 1 rider.
9. Plastic bag is not for playing. for which may cause suffocation, please keep away from small children.

PASTE BY SERIAL NUMBER



ACCESSORIES LIST

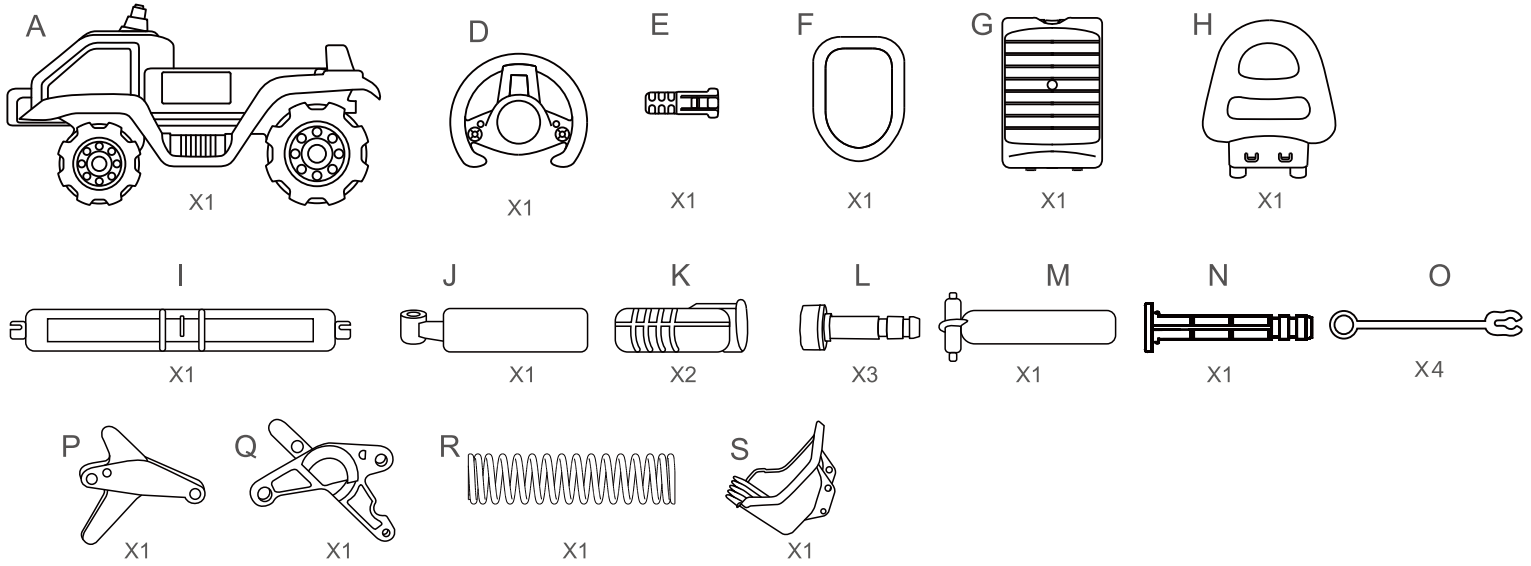
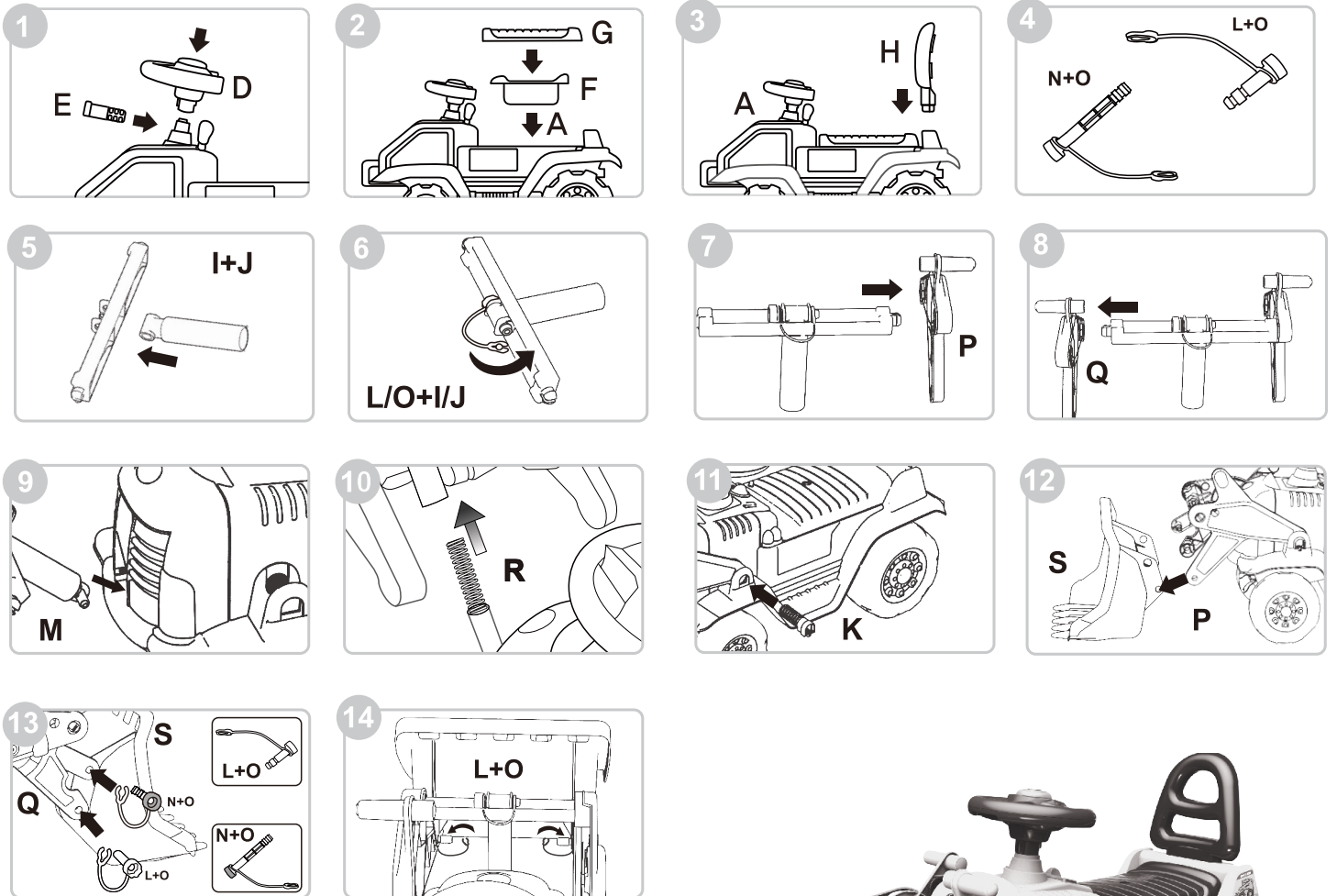


ILLUSTRATION FOR ASSEMBLING



US



001-877-644-9366  
customerservice@aosom.com

CA



001-855-537-6088  
customerservice@aosom.ca

UK



0044-800-240-4004  
enquiries@mhstar.co.uk

DE



0049-(0)40-88307530  
service@aosom.de

FR



0033-1-84166106  
contact@aosom.fr

ES



0034-931294512  
atencioncliente@aosom.es

IT



0039-0249471447  
clienti@aosom.it