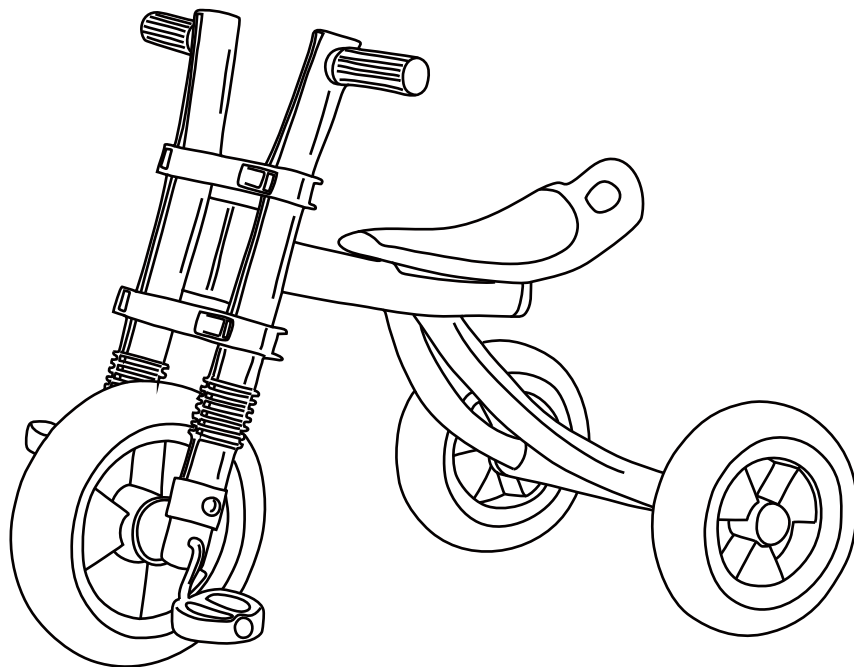




INfga017\_US

**370-101**



## Child's Tricycle

**ASSEMBLY INSTRUCTION**



## **Notice**

Please let your baby be familiar to the following safety rules, and observe the playing ground and your baby's ability before riding.

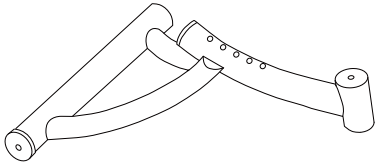
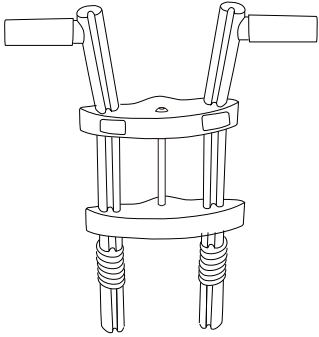
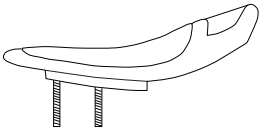
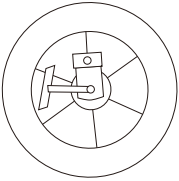
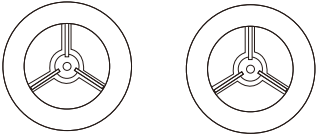
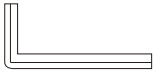

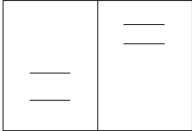
1. Carrying capacity: 25KG, Adapted age: 3~5. Do not over loading for safety.
2. Must keep the kids in view and teach them how to use before riding.
3. Keep away from the street and road.
4. Keep away from the river, swimming pool or obstacles.
5. Do not ride in the dark or bad weather to avoid accident.
6. Only for one child to ride.
7. Do not put any parts of body include hands, head and foot under the wheel.
8. Avoid long periods of use or storage in humid, cold or high-temperature environments and stay away from sources of fire or heat.
9. The fastener of tricycle shall at least have the torque of 10.8 N. m.
10. Users and guardians shall read this manual carefully before use, and please keep it for future reference.



## **Warning:**

1. Keep away from the street and motor road. Keep your kids in view.
2. Do not put the small parts into the mouth.
3. No overloading, carry capacity: 25KG.
4. Do not put away the Plastic bags to avoid suffocation when playing.
5. Do not play this tricycle in wrong way.

## I. List of Parts

No.	Product name	Picture	QTY
1	Frame assembly		1
2	Front fork/handlebar/steering shaft and screw		1
3	Cushion (inclusive of nuts)		1
4	Front wheel (inclusive of front shaft and pedal)		1
5	Rear wheels (inclusive of rear shaft)		2
6	Hexagon wrench		2
7	Multi-purpose wrench		1
8	Manual		1

After opening the carton, count all the spare parts and make sure there is no missing parts before assembly.

## II. Assembly and disassembly of rear wheels

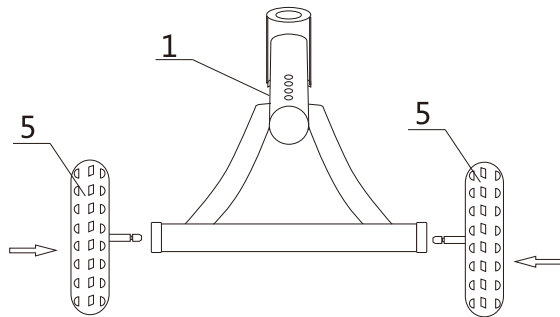


Fig. 1

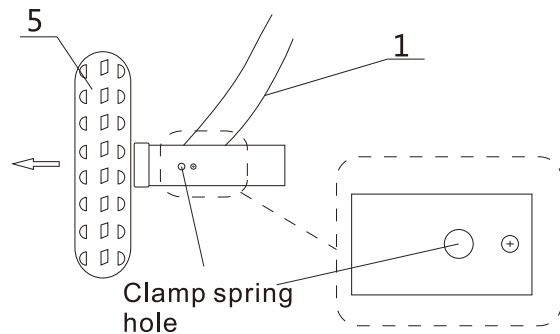


Fig. 2

1. When installing the rear wheel, align the rear axle to the center hole of the plastic sleeve of rear axle tube of the frame, insert it into the bottom, and hear the sound of clamp spring coming out. After installing the wheel, pull the wheel to the outside to make sure the clasp is stuck (Fig 1).

2. Remove the rear wheel with a small tool through the clamp spring hole under the rear axle tube to jack up the clamp spring (Fig 2).

## III. Assembly of tricycle

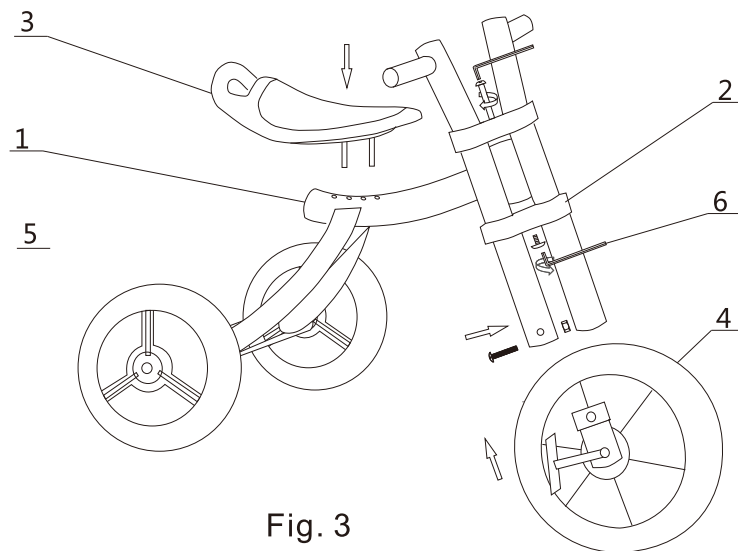


Fig. 3

### 1. Assembly of front wheels and front fork

Unscrew the screws at the lower end of the front fork, insert front fork shaft sleeve into the lower end of front fork, and then keep the screws in place.

### 2. Assembly of front fork and frame

Unscrew screws on the front fork steering shaft, put frame onto the middle hole of front fork crown, insert steering shaft, and lock nuts with a hexagon wrench.

### 3. Cushion mounting

Unscrew the two nuts of the cushion, push the screws on the cushion from top to bottom through the frame, and lock the nuts with a multi-purpose wrench.

US



001-877-644-9366  
customerservice@aosom.com

CA



001-855-537-6088  
customerservice@aosom.ca

UK



0044-800-240-4004  
enquiries@mhstar.co.uk

DE



0049-(0)40-88307530  
service@aosom.de

FR



0033-1-84166106  
contact@aosom.fr

ES



0034-931294512  
atencioncliente@aosom.es

IT



0039-0249471447  
clienti@aosom.it