



- 1.Suitable age for 18-36 Months.**
- 2.Maximum user weight: 20KGS.**
- 3.Adult assembly required.**

About Your New Vehicle

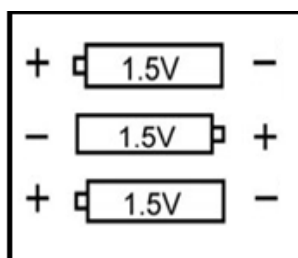
Specification	Item	Specifications
Maximum weight		20KGS
	Size	67x40.5x46CM
Available ages		Children at 18-36 months

WARNING:

- (1). this kind of product is fit for the children aged 18-36 month old and maximum load under 20kg
- (2).WARNING-never leave the child unattended
- (3).prevent access to stairs, steps and uneven surface
- (4). remove hot liquids, electrical flexes and other potential hazards from reach
- (5).prevent collisions with glass in doors,windows and furniture
- (6).instrution for rountine maintenance and cleaning or washing
- (7). before using, this product will be inspected and assembled by the adult

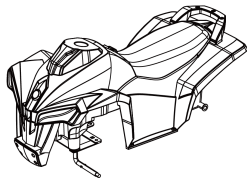
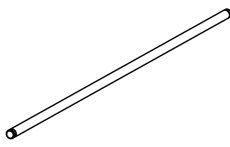

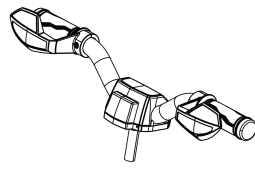
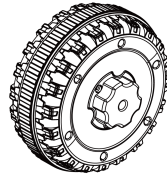

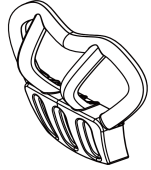
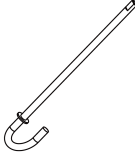

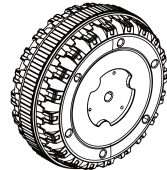
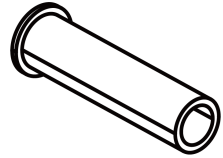

The notices of installing and changing batteries

- (1). installing and changing batteries should be fullfilled by adults
- (2).install the battries refer to the picturs(1) of the parts:

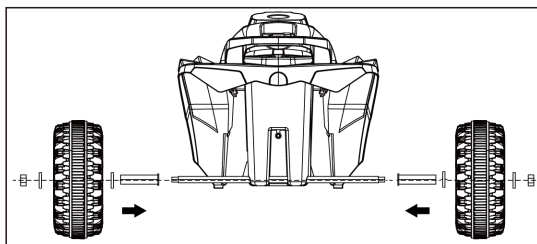


the installation of AA (1.5V) batteries: open the cover, install the battries correctly according to the marks of the postive and the negative erectrodes , finally put on the cover and fasten the cover

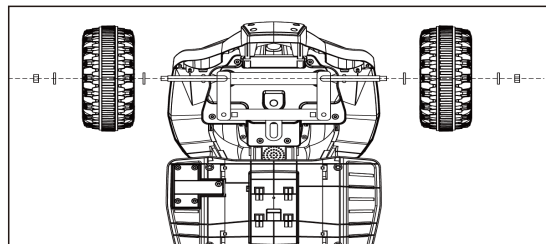
- (3).the unchargable battries must not be changed and do not mix the different types of the battries(or the new and the old) to use together
- (4).take out the used-up batteries and avoid short circuit.

 <p>1. body</p>	 <p>5. A rear axle</p>	 <p>A x 9</p>
 <p>2. handlerbar</p>	 <p>6. rear wheel * 2</p>	 <p>B x 4</p>
 <p>3. Bumper</p>	 <p>7. Steering shaft</p>	 <p>C x 4</p>
 <p>4. front wheel * 2</p>	 <p>8. Axle sleeve * 2</p>	 <p>D x 1</p>

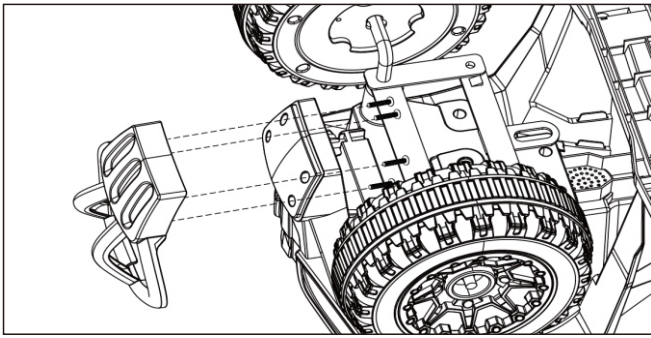
Attach the Side Wheels & Rear Fender



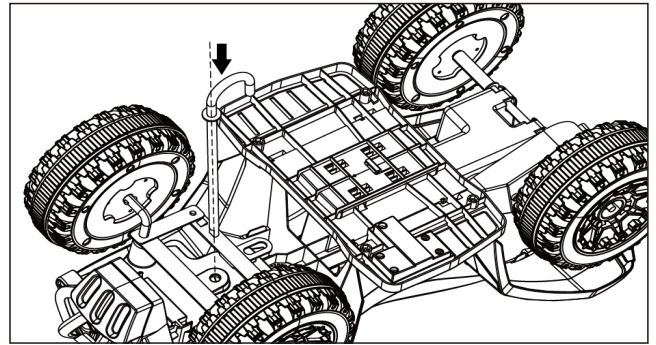
1. insert the back axis, assemble the Axle sleeve, assemble back wheels, fix the wheels(2XM8 NUT&4X10MM GASKET)



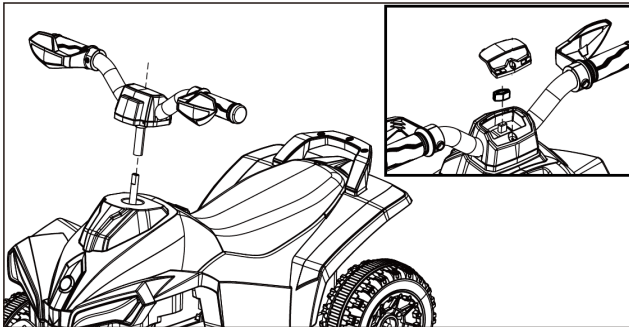
2. fix the front wheel(2XM8 NUT&4X10MM GASKET)



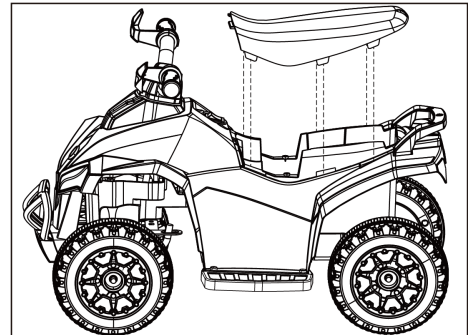
3. Install bumper(4X(4X10)SCREW)



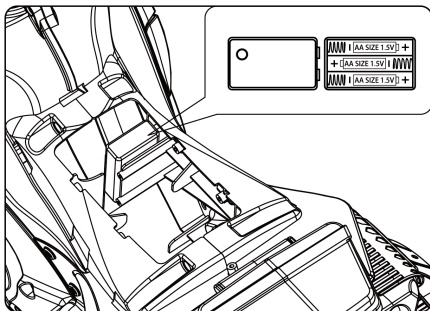
4. Flip the car bottom up, then insert steering shaft



5. Insert handlerbar into the axial shaft ,secure with(1XM10 NUT)



6. OPEN THE SEAT



7. Add the dry battery and close the seat (3X1.5V#7 dry cell)

US



001-877-644-9366
customerservice@aosom.com

CA



001-855-537-6088
customerservice@aosom.ca

UK



0044-800-240-4004
enquiries@mhstar.co.uk

DE



0049-(0)40-88307530
service@aosom.de

FR



0033-1-84166106
contact@aosom.fr

ES



0034-931294512
atencioncliente@aosom.es

IT



0039-0249471447
clienti@aosom.it